

OAC series

Commercial Wall Heater

Cut down on cold drafts

The OAC heater provides a burst of heat in areas affected by cold drafts. Designed for residential, commercial and industrial use, the unit can be recessed or surface-mounted.

Powered by a closed factory-lubricated motor, the fan blows warm air downward to create air circulation.



garage

apartment building

commercial building

entrance way

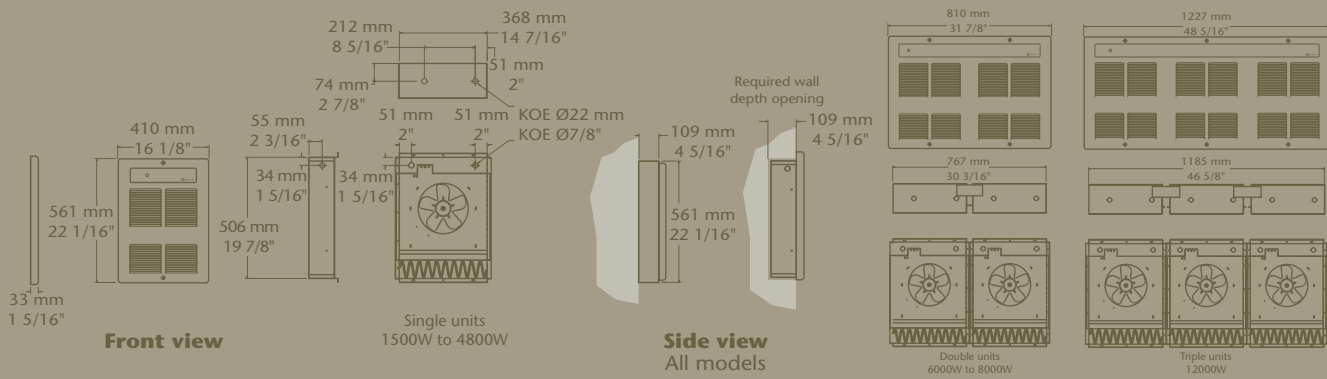
stairwell



Features

- Color**
 - Standard: white, almond.
 - Optional and custom colors available upon request.
- Finish**
 - Standard: epoxy/polyester powder paint.
- Voltage**
 - 120V, 208V, 240V/208V, 277V, 347V, 480V, 600V, 1 or 3-phase.
- Construction**
 - 18-gauge steel louvres; grille with rounded corners*.
 - Bottom air outlet.
 - High-limit temperature control with automatic reset.
- Fan**
 - Closed, factory-lubricated motor.
 - 160 cfm fan (1.5 to 4.8 kW; 55 dBA); 2 X 160 cfm fan (6 to 8 kW; 58 dBA); 3 X 160 cfm fan (12 kW; 61 dBA).
 - Fan delay purges heater of residual heat.
 - (Any remote thermostat or relay must be connected to the heater control terminal block.)
- Heating element**
 - Durable tubular heating element with fins.
- Control**
 - Built-in thermostat included, 32-120 °F.
 - Combination with knob or tamperproof (hidden).
 - Note: Thermostats is not installed in heater with factory installed relay.*
- Installation**
 - Standard 140 °F wiring is sufficient.
 - Adaptor for surface mounting available.
 - Minimum clearance from the floor and adjacent walls: 10 in. (25.4 cm).
- Warranty**
 - 1-year warranty against defects.

* The grills with rounded corners may be installed on already existing units.



Models

Product #	Volts (ph)	Watts	Weight		Product #	Volts (ph)	Watts	Weight	
			lbs	kg				lbs	kg
OACU01502	120 (1)	1500	24.0	10.9	OACU03077	277 (1)	3000	24.0	10.9
OACU02008	208 (1)	2000	24.0	10.9	OACU04077	277 (1)	4000	24.0	10.9
OACU04008	208 (1)	4000	24.0	10.9	OACU04877	277 (1)	4800	24.0	10.9
OACU04808	208 (1)	4800	24.0	10.9	OACU06077	277 (1)	6000	50.0	22.7
OACU08008	208 (1)	8000	50.0	22.7	OACU08077	277 (1)	8000	50.0	22.7
OACU12038	208 (3)	12000	90.0	40.9	OACU12077	277 (1)	12000	90.0	40.9
OACU01500	240/208 (1)	1500/1125	24.0	10.9	OACU01504	480 (1)	1500	28.0	12.7
OACU02000	240/208 (1)	2000/1500	24.0	10.9	OACU02004	480 (1)	2000	28.0	12.7
OACU03000	240/208 (1)	3000/2250	24.0	10.9	OACU03004	480 (1)	3000	28.0	12.7
OACU04000	240/208 (1)	4000/3000	24.0	10.9	OACU04004	480 (1)	4000	28.0	12.7
OACU04800	240/208 (1)	4800/3600	24.0	10.9	OACU04804	480 (1)	4800	28.0	12.7
OACU06000	240/208 (1)	6000/4500	50.0	22.7	OACU06004	480 (1)	6000	50.0	22.7
OACU08000	240/208 (1)	8000/6000	50.0	22.7	OACU08004	480 (1)	8000	50.0	22.7
OACU12030	240/208 (3)	12000/9000	90.0	40.9	OACU12004	480 (1)	12000	90.0	40.9
OACU01577	277 (1)	1500	24.0	10.9	OACU12034	480 (3)	12000	90.0	40.9
OACU02077	277 (1)	2000	24.0	10.9	---	---	---	---	---

Accessories

Product #	Description		Length	
			in.	mm
OAC-BS1	Surface mounting box	1500W to 4800W	16 1/8	410
OAC-BS2	Surface mounting box	6000W to 8000W	32 3/8	822
OAC-BS3	Surface mounting box	12000W	48 13/16	1240

Control options

Product #	Description
Product no-RT*	24V relay with transformer
Product no-R*	24V relay without transformer
OAC-DIS20*	Disconnect switch, 277V and less, double-pole, 20A
OAC-DIS40*	Disconnect switch, 600V max., three-pole, 40A
OAC-DIS80*	Disconnect switch, 600V, three-pole, 80A
OAC-IV*	Fan switch

* Factory installed