



180, 3rd Avenue, L'Islet, Quebec, G0R 2C0, CANADA
Tel.: (418) 247-3947, 1-800-463-7043 Fax: (418) 247-7801
www.ouellet.com

INSTRUCTIONS "OPI" Series



WARNING

When using electrical appliances, basic precautions should always be taken to reduce the risk of fire, electrical shock and injury, including the following.

Read carefully these instructions before installation, operation of the heater. Failure to adhere to the instructions could result in fire, electric shock, serious personal injury, and death or property damage. Review frequently for continuing safe operation and instruction of future users, if necessary.

IMPORTANT INSTRUCTIONS

- 1- Read all instructions before installing or using this heater.
- 2- This heater is hot when in use. To avoid burns, do not let bare skin touch hot surfaces. Keep combustible materials, like furniture, pillows, bedding, papers, clothes, and curtains at least 36 in. (915 mm) from the front and the top of the heater.
- 3- Extreme caution is necessary when any heater is used by or near children or invalids and whenever the heater is left operating and unattended.
- 4- Do not operate any heater after it malfunctions. Disconnect power at service panel and have heater inspected by a reputable electrician before reusing.
- 5- Do not use outdoors.
- 6- To disconnect heater, rotate thermostat knob full counter-clockwise and turn off power to heater circuit at main disconnect panel (or operate internal disconnect switch if provided).
- 7- Do not insert or allow foreign objects to enter any ventilation or exhaust opening as this may cause an electric shock or fire, or damage the heater.
- 8- To prevent a possible fire, do not block air intakes or exhaust in any way whatsoever.
- 9- This heater has hot and arcing or sparking parts inside. Do not use it in areas where gasoline, paint, or flammable vapors or liquids are used or stored.
- 10- Use this heater only as described in this manual. Any other use not recommended by the manufacturer may cause fire, electric shock, or injury to persons.
- 11- The thermostat should not be considered an infallible device in cases where maintaining a temperature is considered critical. Examples: Hazardous material storage, computer server room, etc. In these particular cases, it is imperative to add a monitoring system to avoid the consequences of a thermostat failure.

SAVE THESE INSTRUCTIONS

INSTALLATION INSTRUCTIONS

CAUTION

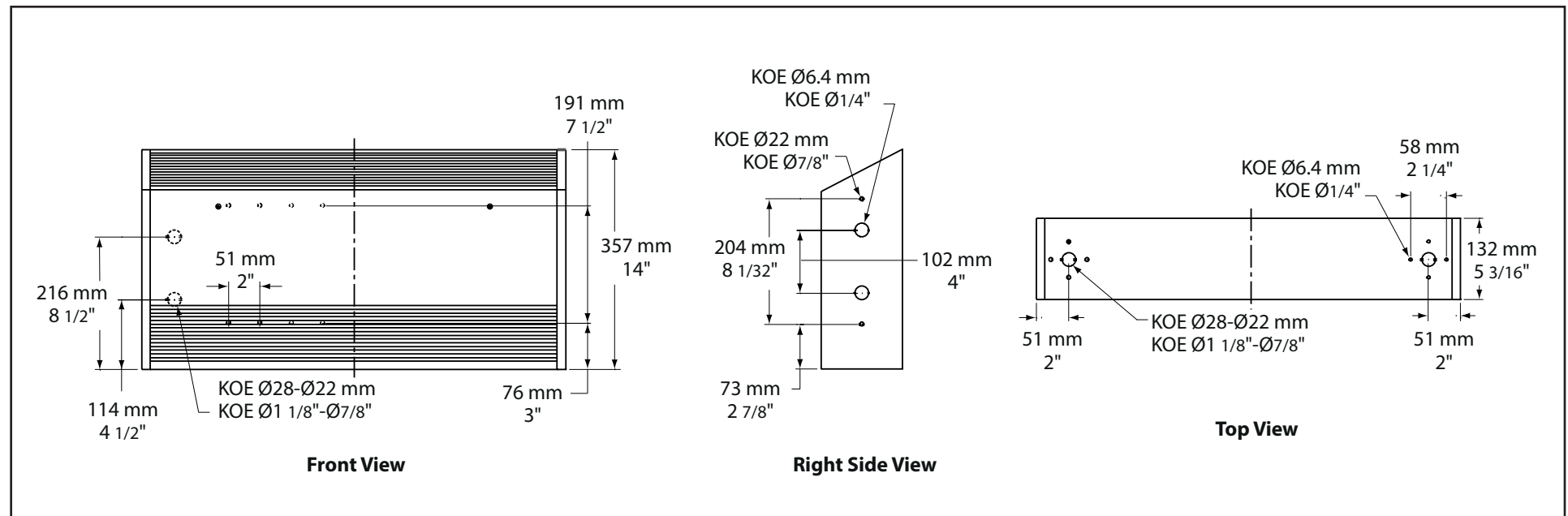
- High temperature, risk of fire, keep electrical cords, drapery, furnishings, and other combustibles at least 36 in. (915 mm) from the front and the top of the heater. To reduce the risk of fire, do not store or use gasoline or other flammable vapors and liquids in the vicinity of the heater.
- Not for residential use in the United States.
- Disconnect all power supplies before working on any circuit.
- Put all covers back on heater before testing.

INSTALLATION

- 1- Remove front panel to give access to mounting holes and junction box covers (left end or right end).
- 2- Remove the appropriate junction box cover and make connections according to local and national codes.
- 3- Attach heater to the wall by using 1/4 in. (6.4 mm) knockouts located on the back of the heater.
- 4- Replace all covers before energizing.

HEATER INTERCONNECTION

The connection boxes and the wiring channel are approved for interconnection of heaters and components which are on the same heating branch circuit. Grounding wire must join the ground lugs of all heaters.



OPERATING INSTRUCTIONS

- 1- The heater must be properly installed before it is used.
 - 2- Turn the power on at the circuit breaker panel.
 - 3- Built-in tamperproof thermostat (optional):
The built-in thermostat can be set with a small screwdriver through the grille.
To set thermostat at the desired temperature, follow these steps:
 - Set thermostat at maximum temperature (turn clockwise).
 - When the desired temperature is reached, turn the thermostat counter-clockwise slowly until you hear a click.
- The thermostat will keep this room temperature.

MAINTENANCE INSTRUCTIONS

- 1- Once a year, remove the dust accumulation inside the heater using a vacuum cleaner or compressed air.
- 2- Cleaning should be done while the heater is disconnected from the main service panel. Wait until the housing and heating element cool before performing maintenance.
- 3- Any other servicing should be performed by a qualified technician.

WARRANTY

Please refer to the product sheet at www.ouellet.com.