



## **BATH FAN**

### User's Manual

**Page 2 ..... AP50-L1W**

**Page 8 ..... AP80-L2W\_AP100-L2W**

**Page 15 ..... SBF80-L1W\_SBF110-L1W**



## **BATH FAN**

User's Manual

AP50G1 / AP50L1

# AP50G1 - AP50L1 Bath Fan User's Guide

## Preface

Dear Client,

Congratulations on your Ceiling Fan purchase. Aero Pure thanks you for your confidence. Our mission is your total satisfaction. Once again thank you.

### Read and save these instructions

1. Installation of this unit and any corresponding electrical wiring must be done by a licensed electrician and be installed in accordance with ALL municipal and national codes and standards, including those relating to fire-rated construction.
2. Use this unit only for the intended application and in the manner indicated by the manufacturer. Please direct any questions directly to the manufacturer at the address and / or telephone number listed on the back of this user's guide.
3. Before wiring, servicing or cleaning the unit, power off the electrical source at the main service panel and lock it. If it is not possible to lock the service panel, use a large visible warning sign. (A service panel left unlocked is a risk. Someone could unknowingly turn the power back on, possibly causing a fatal electric shock to the installer)
4. Sufficient air is needed for proper combustion and exhausting of gases through the flue (chimney) from fuel burning equipment to prevent back drafting. Follow the heating equipment manufacturer's guideline and safety standards such as those published by the National Fire Protection Association (NFPA) and the American Society for Heating, Refrigeration and Air Conditioning Engineers (ASHRAE) and the local code authorities.
5. When cutting or drilling into walls or ceilings, always be careful not to damage electrical wiring or other hidden utilities
6. Always vent the unit to the outside. Never vent into an unventilated space such as a garage, attic or crawl space, etc.
7. NEVER place an electrical switch where it can be reached from a tub or shower. To reduce the risk of electrical problems, water must be prevented from getting into the housing. The fan must not be installed in a location that suffers or could suffer severe water leakage.

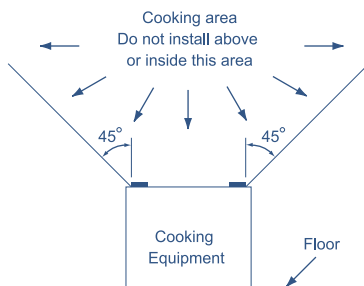


Figure 1

8. The unit is not for use in cooking areas. (See Fig. 1)
9. The ceiling must be strong enough to support the weight of the unit.
10. The unit must be properly grounded.
11. Never insert or allow foreign objects to enter any ventilation or exhaust openings. This may cause electric shock, fire or damage the unit.

12. Do not block air intakes or exhaust in any manner.
13. Do not switch the unit on or off frequently when in use. Turn off the power during extended absences.
14. Should any abnormalities occur during operation, turn off the power immediately. Call a licensed electrician to inspect and to perform any necessary service work.
15. When cleaning the unit, never use corrosive chemicals. Do not rinse plastic parts in water exceeding 60 degrees Celsius.
16. For supply connections use No.14 AWG or suitable larger wires for at least 90°C (194°F).
17. Do not use outdoors.
18. To reduce the risk of injury to persons, install fan at least 2.1 m (7') above the floor.
19. The unit is type IC (Inherently Protected).
20. Acceptable for use over a bathtub or shower when installed in a GFCI protected branch circuit.

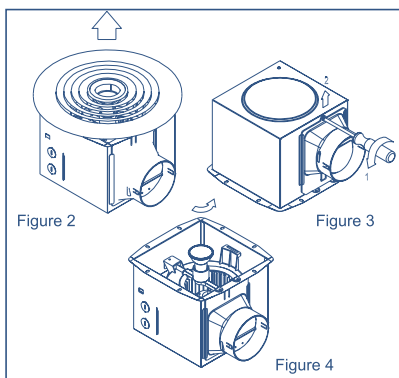
## CAUTION

1. Use for general ventilating only. Do not use to exhaust hazardous or explosive materials or vapors.
2. This unit is designed to be installed on a flat ceiling only. Do not mount it on a sloping ceiling or vertical wall.
3. To avoid damage to the motor bearings and to keep the impellers from becoming noisy or unbalanced, keep drywall spray, construction dust, etc. away the unit.
4. It is highly recommended that preparation for a fan installation be made during your bathroom retro-fit.
5. Please read specification label on product for further information and requirements.

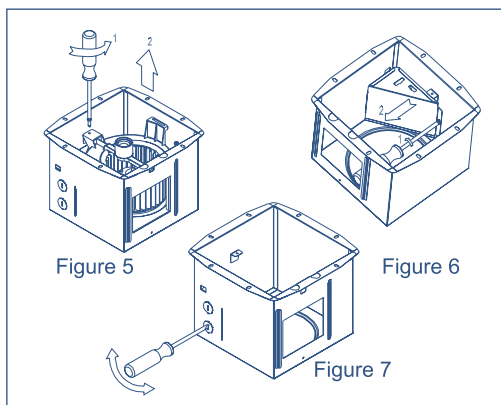
## SAVE THESE INSTRUCTIONS

### Please follow the following pre-installation steps:

1. Remove the grill from the housing.  
See Fig. 2
2. Remove the Type GU10 halogen light.  
(If applicable) See Fig. 3
3. Remove the screw, which secures the unit outlet. See Fig. 4

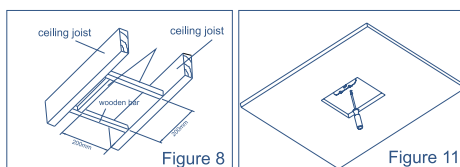


- Remove the three screws, which secure the fan wheel, pull out the motor and light plug, and then remove the outlet. See Fig. 5
- Take out a screw from the wiring box cover and remove the cover. See Fig. 6
- Choose an optimal wiring hole according to the wiring directions and then punch out the knockout location. See Fig 7

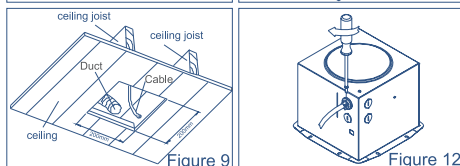


## INSTALLATION

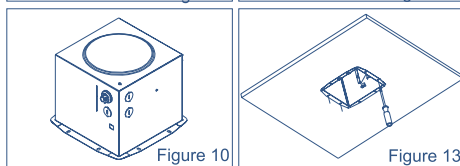
- After ceiling preparation, cut out a square hole.
- The unit should only be installed in a ceiling. The size of joists should be at least 2" by 4". The space between two joists should be 16". From the above surface of the suspended ceiling there should be a minimum of 9".



- Prepare the ceiling joist in advance with the wooden hanger bar. See Fig. 8

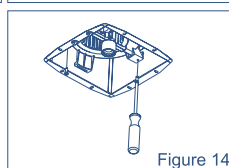


- Cut a hole for the ventilation duct on the outside wall. Fasten the ventilation duct to the outside wall and then pull the other end of the ventilation duct up to the square hole used to install the unit. See Fig 9



- Pull the electric cable wire through the square hole. See Fig. 9

- Secure the electric protective tube to the wiring hole. See Fig. 10



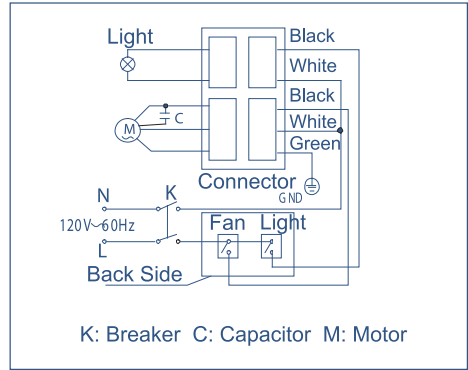
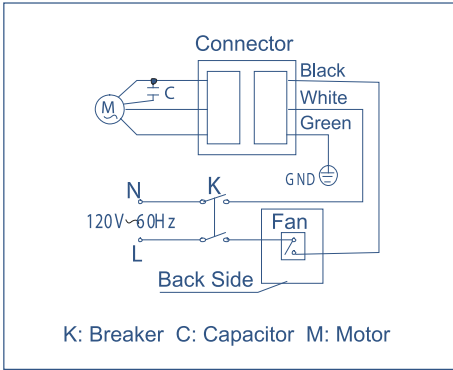
- Attach the ventilation duct to the fan outlet; install the outlet onto the wooden hanger bar. See Fig. 11

- Run the electric cable wire through the protective tube and then fasten it. See Fig. 12

- Wire the unit according to the wiring diagram. Install the wiring box cover. Aim the fan's outlet slot on the housing towards the outlet. Push the housing upwards into the square hole in the ceiling. Secure the main body to the ceiling with four screws. See Fig. 13

- Attach the fan wheel. See Fig. 14
- Replace the grill.
- Install halogen light if applicable.

## WIRING DIAGRAM



## MAINTENANCE

- Before cleaning or servicing, power off the unit's electrical supply.
- Grill: Remove the grill for cleaning. Use a soft brush and clean water to clean. For stubborn dirt, you may submerge the grill into a neutral detergent.
- Unplug the plug-in connection, remove the halogen light if applicable, remove the screws on the wheel shell then disassemble the motor, fan wheel and wheel shell for washing and maintenance.
- After letting the parts thoroughly dry, reinstall the parts.

Note: Keep all electrical parts away from any water sources. Do not use gasoline, chemical agents or water exceeding 60 °C to clean the plastic components of the unit.

## WARRANTY

This product is guaranteed against defective parts for a term of 4 years. Labor costs are extra. Please contact your local agent for warranty services. This warranty is void if product is not installed by a licensed electrician.

This warranty does not cover damage or loss caused by:

- The Halogen light.
- Any consequential losses arising from incorrect installation, wiring operation or maintenance of this product.
- Any consequential losses arising from the repair of any part of this product by an unauthorized person.

## LIST OF ACCESSORIES

Operation Unit	1 unit
User's Manual	1 piece

## MAIN TECHNICAL PARAMETERS

Model number	Rated voltage	Rated frequency	Power consumption (W)	
			Motor	Light
AP50G1	120V	60Hz	≤ 25	—
AP50L2	120V	60Hz	≤ 25	≤ 35W

Fill out the following details and file with your purchase invoice.

**Aero Pure**  <sup>TM</sup> CEILING INSERT FAN

Purchased from: \_\_\_\_\_

Date of purchase: \_\_\_\_\_

WE RETAIN THE RIGHT TO REVISE THIS INSTRUCTION GUIDE WITHOUT PRIOR NOTICE.

# Aero Pure ™

## **BATH FAN**

### User's Manual

AP50G  
AP70G / AP80L  
AP110G / AP100L



# READ AND SAVE THESE INSTRUCTIONS.

Read these instructions carefully before installing or using this product!

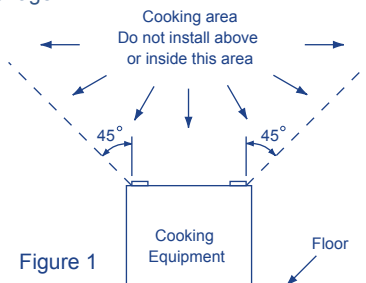
Dear customers,

Thank you for selecting Aero Pure, which is surely to bring you satisfaction. Read all instructions before using the unit. Save these instructions please.

## WARNING!

**TO REDUCE THE RISK OF FIRE, ELECTRIC SHOCK, OR INJURY TO PERSONS, OBSERVE THE FOLLOWING:**

1. Use the unit only in the manner intended by the manufacturer. If you have questions, contact the local agent or the manufacturer.
2. Before servicing or cleaning the unit, switch power off at service panel and lock the service disconnecting means to prevent power from being switched on accidentally. When the service disconnecting means cannot be locked, securely fasten a prominent warning device, such as a tag, to the service panel.
3. Installation work and electrical wiring must be done by qualified person(s) in accordance with all applicable codes and standards, including fire-rated construction.
4. For the purpose of avoiding any dangerous gas leaking into your house, the duct must not be laid together with the vent-pipe of air-fueled water heater into the same flue.
5. When cutting or drilling into wall or ceiling, do not damage electrical wiring and other hidden utilities.
6. Ducted fans must always be vented to the outdoors.
7. NEVER place a switch where it can be reached from a tub or shower. To reduce electric troubles, water must be prevented from going into the housing. The fan must not be installed at the place where suffers severe water leakage.
8. Not for use in the cooking area (Figure 1).
9. Not for use in the shower cubicle generally.
10. The ceiling must be strong enough to support the weight of the fan.
11. The fan must be properly grounded.
12. Do not insert or allow foreign objects to enter any ventilation or exhaust opening as this may cause an electric shock, or damage the unit.



13. Do not block air intakes or exhaust in any manner.
14. Do not switch on/off frequently when in use. Shut off power if in long vacancy.
15. Shut off power urgently if anything unusual occur when in operation and contact with local agent or specialized maintenance shop.
16. When clean the fan, do not use corrosive chemical liquid. Do not rinse plastic parts in water the temperature of which is higher than 60°C.
17. For supply connections use No. 14 AWG or larger wires suitable for at least 90°C (194°C).
18. Do not use outdoors.
19. To reduce the risk of fire, use only PL type 26W lamp. For the nightlight use a maximum 4W lamp. (Model: AP80L1, AP80L2, AP80L3, AP100L1, AP100L2, AP100L3)
20. Ceiling Insert Fans must not be installed in a ceiling with an insulation value that is greater than R40.
21. TYPE IC-INHERENTLY PROTECTED.
22. To reduce the risk of injury to persons, install fan at least 2.1m (7 feet) above the floor.
23. These fans (model number is: #L1, #G2, #G6) are acceptable for use over a bathtub or shower when installed in a GFCI protected branch circuit. Other models are not for use over a tub or shower.

**CAUTION**

1. For general ventilating use only. Do not use to exhaust hazardous or explosive materials and vapors.
2. This product is designed for installation in flat ceilings only and for household use only. Do not mount it on a sloping ceiling or a vertical wall.
3. To avoid motor bearing damage and unusual noise and/or unbalanced impellers, keep drywall spray, construction dust, etc. off the unit.
4. It is highly recommended to make preparation for unit installation when you retrofit your bathroom.

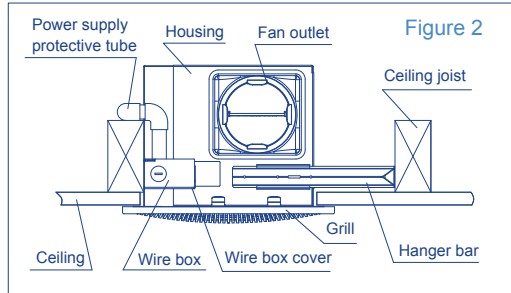
**SAVE THESE INSTRUCTIONS**

**TO INSTALL, FOLLOW THE STEPS AS FOLLOWING:**

## INSTALLATION

### 1. PREPARATION FOR INSTALLATION (Figure 2)

The unit should be ceiling insert only. The size of joists should be at least 2" wide and 4" high. The space between two joists should be 16". From the above surface of the suspended ceiling there should be minimum 9" distance to the roof.



### 2. INSTALLATION

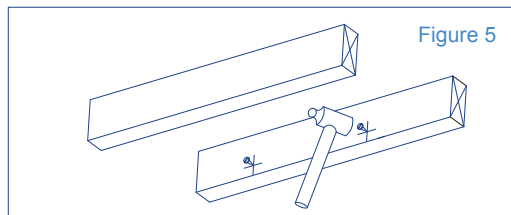
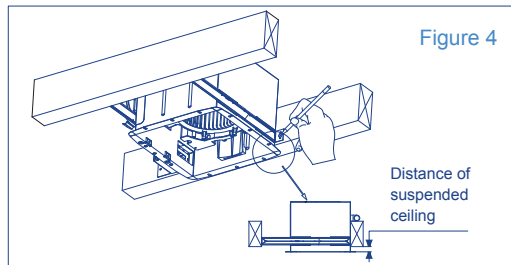
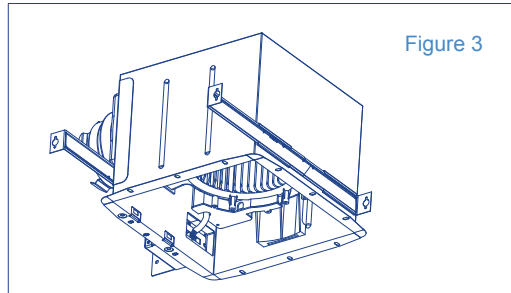
1) Remove the grill by a little press the spring inside and take off the fascia from the housing (Figure 3).

2) Remove the wire box cover from the housing and install the 3 brackets onto the housing in the very positions (Figure 3).

3) Position housing between joists and extend mounting brackets. Mark the top of keyhole for screws on all mounting brackets. When fixing the brackets onto ceiling joists, make sure to reserve the suspended ceiling thickness between bottom edge of housing and ceiling joists. After the final ceiling work, the bottom edge of housing should be flush with suspended ceiling (Figure 4).

Note: Make sure the distance from the fan outlet to the wall must be less than the length of the ventiduct before installing.

4) Remove housing temporarily, and pound screws partially into joists at all marked locations (Figure 5).



5) Hang housing onto the screw and pound all the screws tight. Connect the end of wire in the wire box with power wire outside according to the wire diagram, then replace the wire box cover after putting the protective tube for the power wire in the very position. Fix the ventiduct tightly onto the fan outlet (Figure 6).

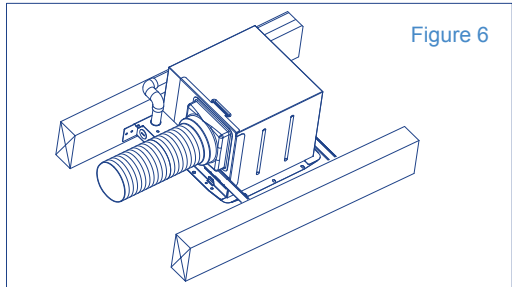
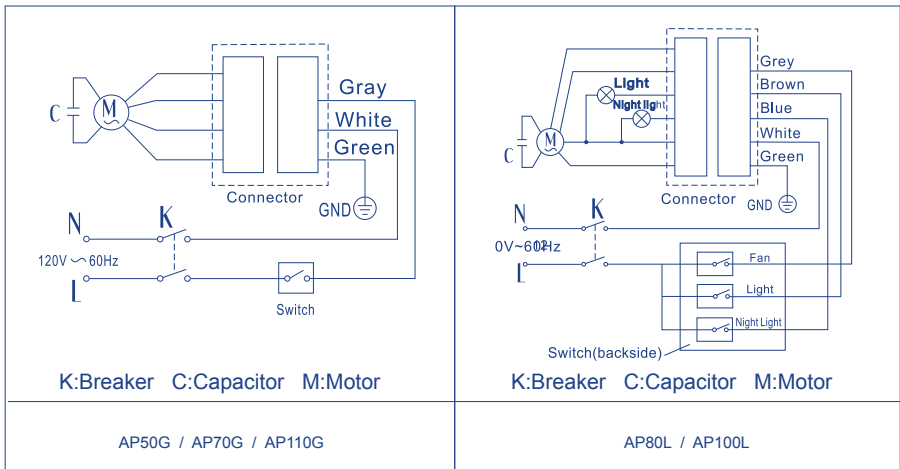


Figure 6

Note: To be most effective, please keep the ventiduct as straight as possible.

### Wire Diagram



6) Replace the grill after finishing the ceiling (Install the light if has).

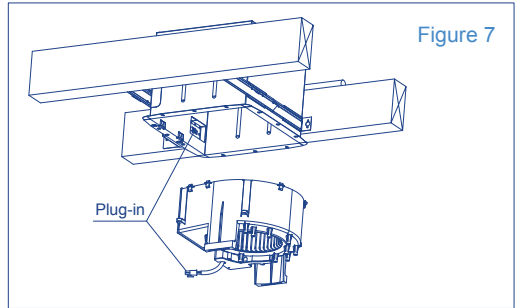
## MAINTENANCE

1. Shut off power before servicing or cleaning.
2. Remove the grill. Soft brush and clean water can be used for cleaning the grill. For the dirt that cannot be wiped off easily, you may immerse it into the neutral detergent first.

3. Unplug the plug-in connection and remove the 4 screws on the wheel shell (first remove light, night-light and the reflector if there are) then disassemble the motor, fan wheel, wheel shell for washing and maintenance (Figure 7).

Note: Electric parts are prohibited from touching water. Do not use gasoline, chemical reagent or hot water higher than 60 centigrade degree to clean the plastic components.

4. After the cleaning and maintenance, install all the parts in reverse after they become dry thoroughly.



## WARRANTY

The product is warranted against failure for a period of 4 years. **Labor costs extra.** Please keep and bring the original invoice to your local agent for warranty services.

This warranty is null and void if product is not installed by a Licensed Electrician and Aero Pure LLC assumes no responsibility for any and all loss.

This warranty does not cover damage or lose caused by:

- 1) Light lamp and night lamp (if there are).
- 2) Any consequential losses arising from incorrect installation or operation or maintenance of this product.
- 3) Any consequential losses arising from incorrect wiring of this product.
- 4) Any consequential losses arising from repairing of any part of this product by unauthorized persons.

## LIST OF ACCESSORIES

Operation Unit	1 unit
Bracket for Installation	1 set
User's Manual	1 piece
26W PL and 4W nightlight bulb (in model AP80L1, AP80L2, AP80L3, AP100L1, AP100L2, AP100L3 only)	1 set

## MAIN TECHNICAL PARAMETERS

Model number	Rated voltage	Rated frequency	Power consumption (W)			Airflow (CFM)
			Motor	Light	Night light	
AP50G (2,3,4,5,6...)	120V	60Hz	≤20	—	—	50
AP70G (1,2,3,4,5,6...)	120V	60Hz	≤35	—	—	70
AP110G (1,2,3,4,5,6...)	120V	60Hz	≤40	—	—	110
AP80L1	120V	60Hz	≤25	≤26, PL	4	80
AP80L2						80
AP80L3						70
AP100L1	120V	60Hz	≤40	≤26, PL	4	100
AP100L2						
AP100L3						

**Fill out the following details and file with your purchase invoice**

**Aero Pure**  **BATH FAN**

**Purchased from**

---

**Date of purchase**

---

**WE KEEP THE RIGHTS TO REVISE THIS INSTRUCTION WITHOUT ANY PRIOR NOTICE.**

# Aero Pure ™

## **BATH FAN**

User's Manual

SBF80L1 / SBF80G  
SBF110L1 / SBF110G

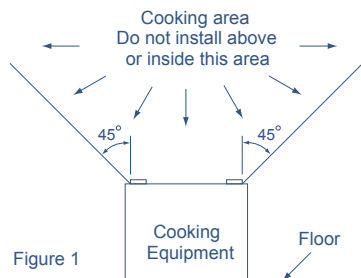
# READ AND SAVE THESE INSTRUCTIONS.

Read these instructions carefully before installing or using this product!

## BEFORE INSTALLATION WARNING!

**TO REDUCE THE RISK OF FIRE, ELECTRIC SHOCK, OR INJURY  
TO PERSONS, OBSERVE THE FOLLOWING:**

1. Use this unit in the manner intended by the manufacturer. If you have any questions, please contact the manufacturer .
2. Before servicing or cleaning unit, switch power off at service panel and lock the service disconnecting means to prevent power from being switched on accidentally. When the service disconnecting means cannot be locked, securely fasten a prominent warning device, such as a tag, to the service panel.
3. Installation work and electrical wiring must be done by qualified person(s) in accordance with all applicable codes and standards, including fire-rated construction.
4. Sufficient air is needed for proper combustion and exhausting of gases through the flue (chimney) of fuel burning equipment to prevent back drafting. Follow the heating equipment manufacturer's guideline and safety standards such as those published by the National Fire Protection Association (NFPA), and the American Society for Heating, Refrigeration and Air Conditioning Engineers (ASHRAE), and the local code authorities.
5. When cutting or drilling into wall or ceiling, do not damage electrical wiring and other hidden utilities.
6. Ducted fans must always be vented to the outdoors.
7. If this unit is to be installed over a tub or shower, it must be marked as appropriate for the application and be connected to a GFCI (Ground Fault Circuit Interrupter) – protected branch circuit.
8. NEVER place a switch where it can be reached from a tub or shower.
9. This fan must be properly grounded.
10. Do not use in the cooking area (Figure. 1).
11. Do not block the air intakes or exhaust.





12. Power supply wiring is to be No. 14 AWG wire or larger (suitable for at least 90C (190F) ).
13. Not for use outdoors.
14. For the lighted unites, use only PLC type 26W lamps and a maximum of 4W night lamp for lighting.(SBF80L, SBF110L)
15. The fan must not be installed in a ceiling with an “R” rating greater than 40.
16. The fan is type IC (Inherently Protected).
17. To reduce the risk of injury, install the fan at least 2.1m (7 feet) above the floor.
18. Acceptable for use over a shower or tub when installed in a GFCI protected branch circurt.
19. The fan should not be turned on and off rapidly nor should it be left running continuously.
20. Do not clean the fan with corrosive chemicals nor water in excess of 60C (140F).
21. If the fan is not operating properly, shut the power off immediately, and have a certified inspect it and have it serviced as required.
22. These fan must be mounted to structural members that are strong enough to support the fan's weight.
23. Do not allow foreign objects to enter the fan; this could result in electric shock or fan damage.

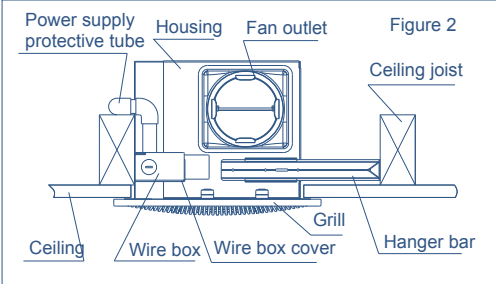
**CAUTION**

1. For general ventilating use only. Do not use to exhaust hazardous or explosive materials and vapors.
2. This product is designed for installation in flat ceilings only. Do not install it in a sloping ceiling or in a wall.
3. To avoid motor bearing damage and noisy unbalanced impellers keep construction material / dust from entering the fan.
4. Please read specification label on the product for further information and requirements.
5. "WARNING": To Reduce The Risk Of Fire Or Electric Shock, Do Not Use This Fan With Any Solid-State Speed Control Device.

**PLEASE INSTALL AS THE FOLLOWING STEPS:**

**INSTALLATION**

The unit should only be installed in a ceiling. The size of joists should be at least 2" wide and 4" high. The space between two joists should be 16". From the above surface of the suspended ceiling there should be minimum 9" distance to the roof. (Figure 2) Select the suspension brackets as shown in (Figure 3)

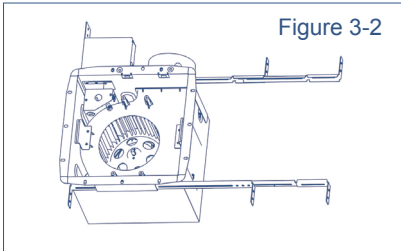
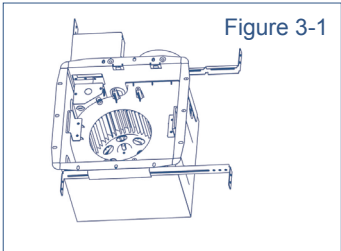
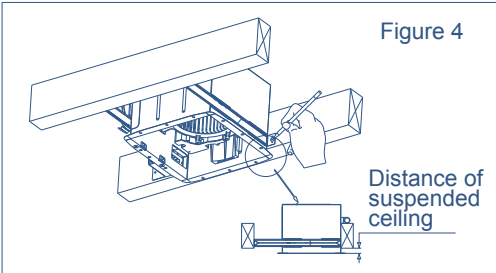
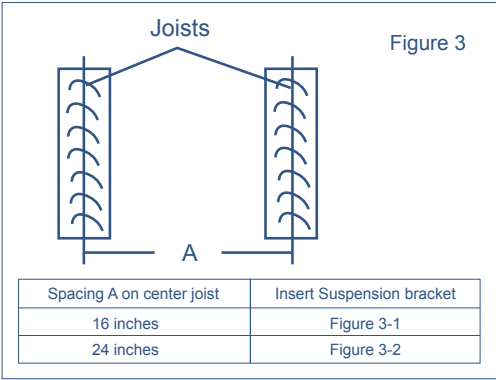


1. Remove the grille by gently squeezing the wire springs and extracting them from the slots in the housing.

2. Remove the wire box cover and install the 3 brackets on the fan housing. (Figure. 3-1, Figure. 3-2).

3. To install the housing in the ceiling, position it between the joists and extend the brackets to the adjacent joists.. Mark the screw locations (at the top of the keyhole on each bracket) on the joists.

Note: make sure to allow the appropriate depth for the particular ceiling type. The bottom edge of the housing should be flush with the ceiling. (Figure 4)



4. Remove the housing and drive the screws part way into the joists at the marked locations.

5. Mount the housing using the screws in the joists and then secure them tightly. Make all the electrical connections in the wire box, per the wiring diagram, and attach the wire box cover. Attach the discharge duct tightly onto the fan outlet.

Note: In order for the fan to operate efficiently, keep the discharge duct as straight as possible.

6. To complete the installation, install the lamps (if applicable) and mount the grill.

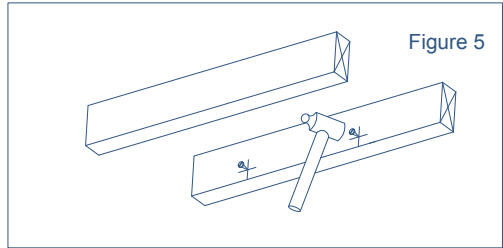


Figure 5

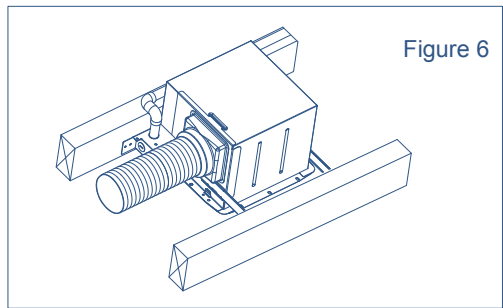
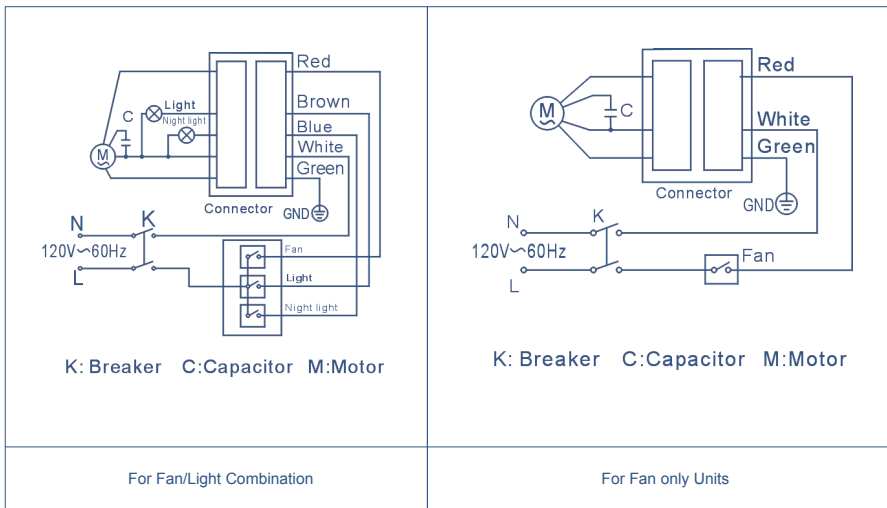


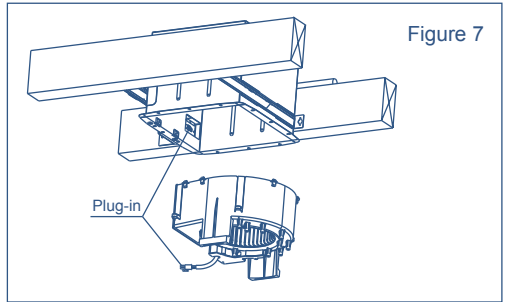
Figure 6

### Wiring Diagram



## MAINTENANCE

1. Turn the power off and lock it out prior to servicing or cleaning.
2. To clean the grille, first remove it from the fan then use a soft brush and clean water to remove the dirt. If the dirt is not easily removed, wash with a neutral detergent.
3. In order to remove the impeller and housing for maintenance, first remove the light, night light and reflector (if applicable). Then unplug the electrical connection and remove the 4 screws that secure the fan assembly to the housing. To clean the impeller and housing, remove the motor and then wash with water or a neutral detergent, as required.



Note: Keep all electrical components away from water. Do not use corrosive chemicals or water in excess of 60C (140F) to clean plastic parts.

## WARRANTY

The product is warranted against failure for a period of 4 year (excluding Light Lamp). Labor cost extra. Please keep and bring the original invoice to your local agent for warranty services.

This warranty does not cover damage or lose caused by:

- 1) Light lamp (if there are).
- 2) Any consequential losses arising from incorrect installation or operation or maintenance of this product.
- 3) Any consequential losses arising from incorrect wiring of this product.
- 4) Any consequential losses arising from repairing of any part of this product by unauthorized persons.

## LIST OF ACCESSORIES

Operation Unit	1 Unit
Bracket for Installation	5 Pieces
User's Manual	1 Piece
26W energy saving Lamp ( in model SBF80L, SBF110L )	1 Piece
4W night lamp ( in model SBF80L, SBF110L )	1 Piece

## MAIN TECHNICAL PARAMETERS

Model number	Voltage	Frequency	Power consumption (W)			Speed (RPM)	Air deliver (CFM)
			Motor	Light	Night light		
SBF80G Series (1、2、3、4、5、6...)	120V	60Hz	≤ 25	—	—	660	80
SBF110G Series (1、2、3...)	120V	60Hz	≤ 30	—	—	780	110
SBF80L1	120V	60Hz	≤ 25	Type PLC ≤26W	4	660	80
SBF110L1	120V	60Hz	≤ 30	Type PLC ≤26W	4	780	110



Aero Pure Fans LLC  
3270 Associate Drive  
Suite B

North Charleston, SC29418

Office: 843 377 8642

Fax: 843 377 8643