

**SERIES**  
**EXCaliber™**

# OUE-XET1-1-N-A

**Explosion-proof, electronic wall mount  
thermostat (low voltage)**

Class I, Division 1 & 2, Groups B, C & D  
Class II, Division 1, Groups E, F & G  
Class II, Division 2, Groups F & G; Class III; T6

Class I, Zone 1, Ex db, Groups IIA, IIB+H<sub>2</sub>, T6, Gb  
Class I, Zone 2, Ex dc, Groups IIA, IIB+H<sub>2</sub>, T6, Gc  
Class I, Zone 1, AEx db, Groups IIA, IIB+H<sub>2</sub>, T6, Gb  
Class I, Zone 2, AEx dc, Groups IIA, IIB+H<sub>2</sub>, T6, Gc  
Class II, Zone 21, Ex tb, Groups IIIA, IIIB & IIIC, T85°C, Db  
Class II, Zone 22, Ex tc, Groups IIIA, IIIB & IIIC, T85°C, Dc  
Class II, Zone 21, AEx tb, Groups IIIA, IIIB & IIIC, T85°C, Db  
Class II, Zone 22, AEx tc, Groups IIIA, IIIB & IIIC, T85°C, Dc

-50°C ≤ T amb ≤ +40°C, IP66, Type 4

[www.ouellet.com](http://www.ouellet.com)

For hazardous-location air temperature control rely on the ExCaliber™ series of electronic explosion-proof thermostats for the most dependable, accurate, robust and troublefree service available.

**Features & Benefits Include:**

- Bolted, removable cover provides instant access for installation and servicing.
- Dial locking screw prevents unwanted adjustments.
- Aluminum and 304 stainless steel construction with no exposed copper or brass provides suitability for H2S environments.
- IP66/Type 4 ratings for moisture/dust protection.
- CFC & mercury free, no leveling required.
- Contact-free switching mechanism is not susceptible to wear.
- Fast-acting, accurate, reliable electronic temperature sensor, with protective shield, is unaffected by altitude.
- Completely sealed design is ideal for dusty environments.
- Vibration resistant design prevents set-point drift.
- Two (3/4" NPT) openings for easy field wiring (includes one 3/4" plug).
- Third party impact tested for ensured durability.
- Non-orientation sensitivity allows for mounting in any position.
- Low profile design allows easy access in confined spaces.
- EMC compliance guarantees no nuisance tripping.

**Typical Applications:**

Unit heaters & convection heaters.

**Protection Method:**

Flameproof:	CSA 22.2 No. 30 UL 1203 CSA/UL 60079-1
Dust ignition proof:	CSA 22.2 No. 25 UL 1203 CSA/UL 60079-31
Ingress protection:	IEC 60529 CSA 22.2 No. 94 UL 50

**Specifications: (heating applications only)**

Temperature adjustment range:	5°C to 25°C (40°F to 80°F)
Temperature differential:	+/- 1°C (1.8°F) from set point
Operating limits:	-50°C (58°F) ≤ T amb ≤ +40°C (104°F)
Storage limits:	-50°C to +60°C (-58°F to +140°F)
Switching:	Electronic
Field wiring openings:	Two 3/4" NPT (includes one 3/4" plug)
Ingress protection:	IP66/Type 4
Net weight:	1.4 Kg (3.2 Lbs)
Ship weight:	1.5 Kg (3.4 Lbs)
Shipping dimensions:	12.7 cm x 12.7 cm x 17.8 cm (5" x 5" x 7")



Dial locking screw

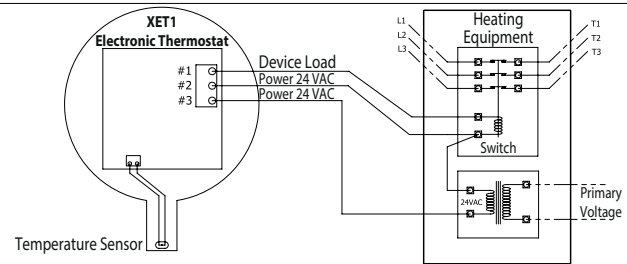


**Electrical rating:**

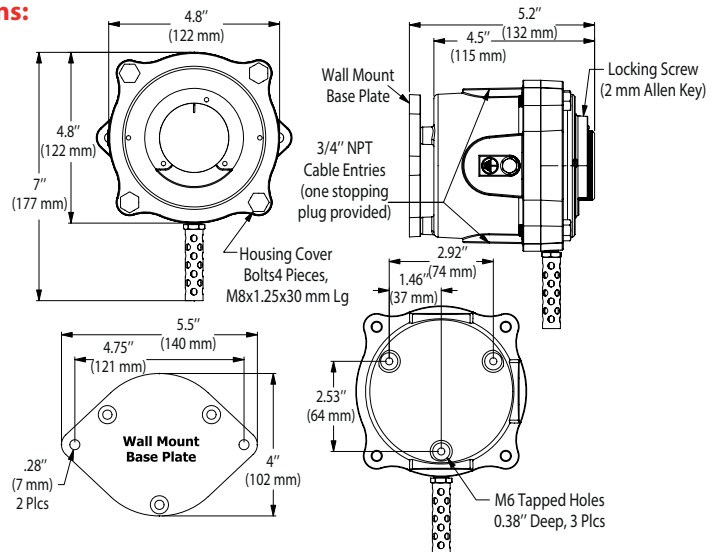
24VAC 50/60Hz; 1 Amp max continuous  
Pilot Duty: 24VA @ 24VAC (120VA Inrush)

**Model: XET1-1-N-A**

**Wiring Diagram:  
24VAC required**



**Physical Dimensions:**



**Limited 36-Month Warranty**

Ouellet Canada warrants all ExCaliber™ series of electronic explosion-proof thermostats against defects in materials and workmanship under normal conditions of use for a period of thirty-six (36) months from date of purchase based on the following terms:

1. The thermostat must not be modified in any way.
2. The thermostat must be stored, installed and used only in accordance with the owner's manual and attached data plate information.
3. The complete thermostat may be returned to our manufacturing plant for repair or replacement (at our discretion), freight charges prepaid.
4. Contamination by dirt, dust, etc. or corrosion will not be considered as defects.
5. This warranty shall be limited to the actual equipment involved and, under no circumstances, shall include or extend to installation or removal costs, or to consequential damages or losses.

Ouellet Canada Inc. reserves the right to make any changes to this sheet or its products at any time without notice.



180, 3<sup>e</sup> Avenue  
L'Islet (Québec)  
G0R 2C0 CANADA

Phone: 1 800 463-7043  
Fax: 1 800 662-7801  
www.ouellet.com

