



Hybrid benefits

- What a great idea -a built-in diode night light that casts a soft and gentle glow!
- Silence is golden! The **Hybrid** unit functions noiselessly with the timer on.
- Designed by the Montreal designer *Morelli*, the **Hybrid** is unusually attractive for a heating appliance and beautifully matches any decor.
- With its ingenious, simple design, it is surprisingly easy to install and maintain.
- The control module is positioned to make it safer for small children.
- The electronic controls provide fast, even heat for maximum comfort.
- The luminous digital display indicates the ambient temperature, temperature setting, and heat level (4 levels), as well as the time remaining on the timer.
- Mounted on a rugged steel frame, the **Hybrid** unit is covered with molded aluminum.
- The grille's narrow openings prevent small objects from being inserted.
- The unit is designed for easy recessed or wall-mount installation, with or without the casted trim sleeve.

Models

Product #	Volts	Watts	Weight	
			lbs	kg
OHY1502BL	120	1500	22.75	10.3
OHY2000BL	240	2000	22.75	10.3

Accessories

Product #	Description
OHY-CM-BL	Aluminum casted trim sleeve
OHY-DIS*	Disconnect switch 250V/20A

* Factory installed.

Warranty

Ouellet Canada Inc. offers a 5-year warranty on the element and 2-year warranty against defects in manufacturing.

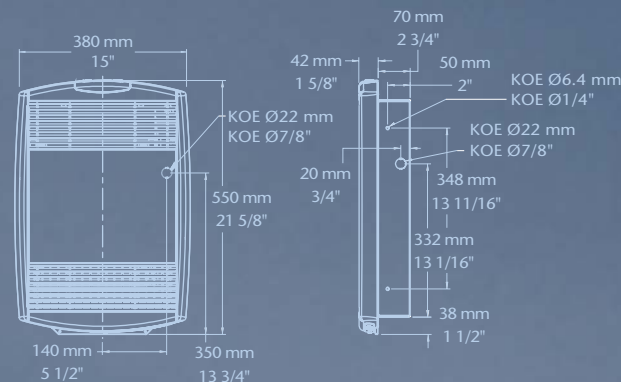


Hybrid 

Convection and Forced-Air Heater

Hybrid 

Convection and Forced-Air Heater



Front View

Side View



180, 3^e Avenue, L'Islet (Québec) G0R 2C0 CANADA
 Telephone: 1 800 463-7043 • (418) 247-3947
 Fax: 1 800 662-7801 • (418) 247-7801
 www.ouellet.com • info@ouellet.com



Hybrid...

Pure comfort and quiet

No more noisy heaters with protruding controls and especially no more ticking timers! Today's bathrooms have panache and demand state-of-the-art style!

Ouellet's **Hybrid** unit offers great looks along with the practical features and heating performance designers have been trying to combine in a single appliance for ages.

Silent and powerful despite its compact size, the Combined **Hybrid** complements your bathroom's appearance as it instantly envelops you in a soft, wrap-around warmth. It's heat when you want it and how you want it whether in regular convection mode with its precision electronic control or forced air mode for accelerated noise-free heating!

A *Morelli* design, the **Hybrid** from Ouellet features sleek and smooth styling that blends in equally well with contemporary style or vintage look. Its elegantly rounded facade houses a fast and powerful ambient heating system that is as efficient as it is economical, providing maximum comfort.

LED night light LED on/off switch

What a bright idea! At night, the bathroom is silhouetted by a discrete glow emanating from the unit. The built-in white LED night light provides a soft light for any decor. An on/off switch is located discretely under the unit.



LED night light



On/Off switch

Display module

The Hybrid unit is equipped with an electronic digital thermostat/timer. Ultrasensitive and precise, the pulsing thermostat maintains temperatures within ± 1.0 °C (3.0 °F) of the set point. The LED digital display shows the ambient temperature (°C or °F), temperature setting, and heating level. The unit can instantly go from "off" to maximum heat at any time.

The 5 to 30 minute electronic timer can be set to deliver fast heat (1500W at 120V, 2000W at 240V), if necessary. A blue-toned digital display shows the amount of time remaining on the timer. The display module is discretely situated on top of the unit to help keep it out of reach of small children.



Timer



°C

°F

Casted trim sleeve Recessed or wall-mounted

The **Hybrid** blends ingenuity, simplicity, functionality, and ruggedness.

Thanks to the *Morelli* touch, it's hard to believe that this attractive unit is first and foremost an appliance.

With its elegant design, delicately rounded lines, and handsome finish, the unit blends in well with any decor. Moreover, an optional casted trim sleeve is available for the ultimate final touch. Mounted on a strong steel frame and covered with a 5 mm thick aluminum facade, not only is it durable and long-lasting, it is easy to install as a recessed or surface unit. A grille with very narrow openings prevents small objects from being inserted.



Casted trim sleeve



Recessed

Surface

