



Products Catalog

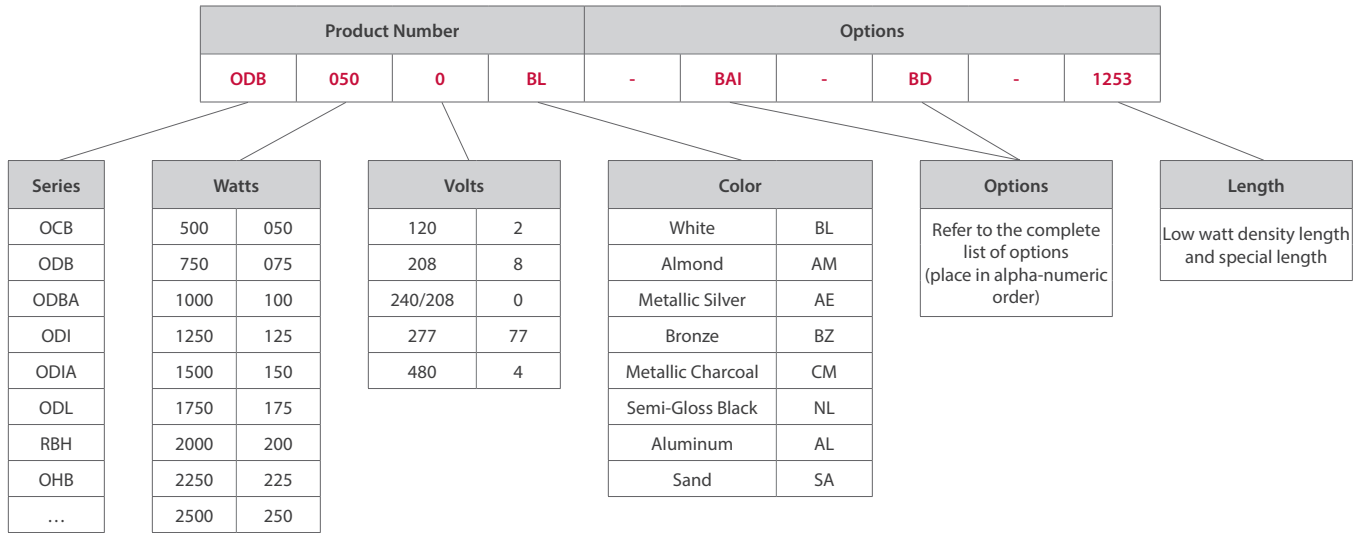
November 2025



For the most up-to-date information and prices, please scan the QR code to go to our website.

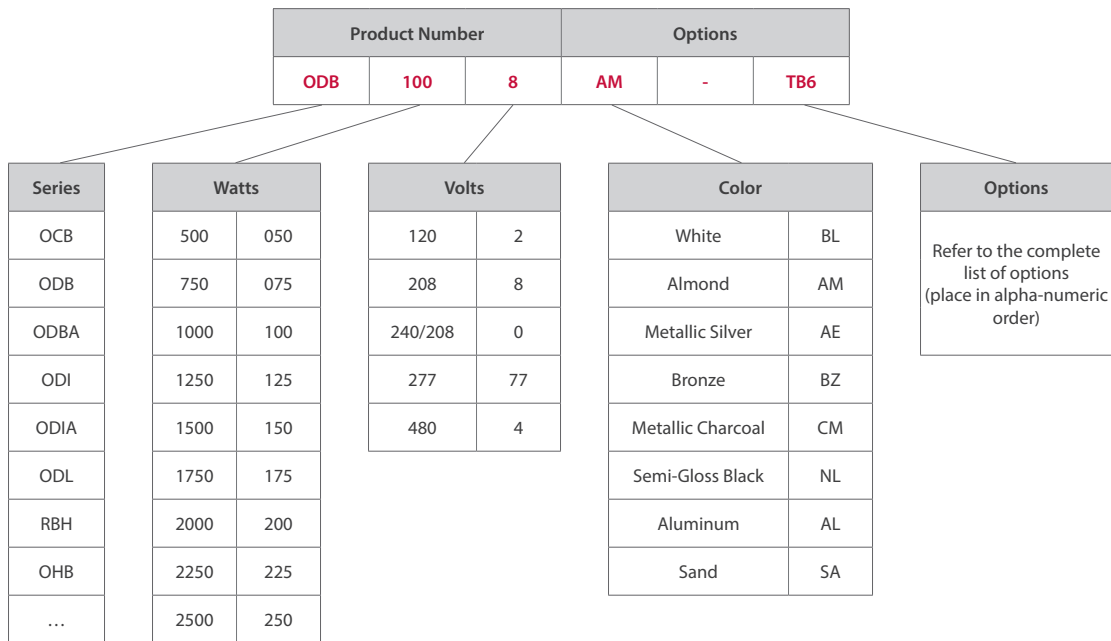
Non-Standard Models Codification

Required sequence when ordering



Standard Models Codification

Sequence required when ordering



Required sequence when ordering

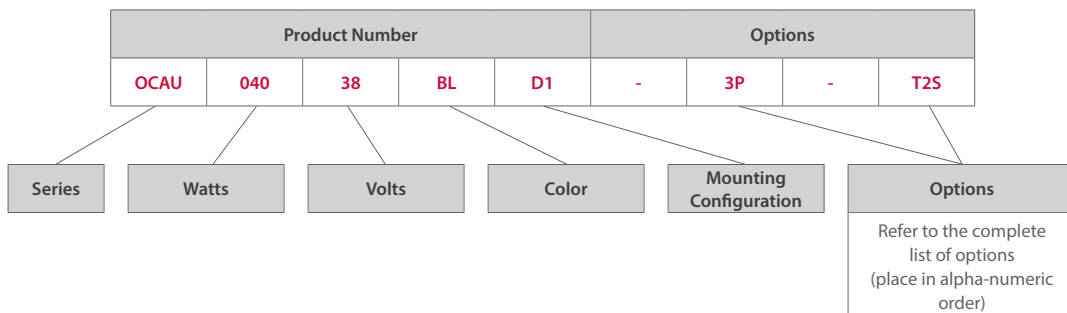


Table of Contents











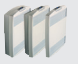



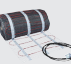









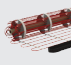







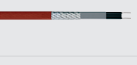


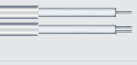








	RBH	Electric Baseboard Heater	5		OSKH-E130R	HRV - Heat Recovery Ventilator with Recirculation	45
	ODL	High-End Baseboard Heater	7		OSKH-H150R	HRV - Heat Recovery Ventilator with Recirculation	47
	OPPM	Mini Steel Draft Barrier	9		OTP-H-R32	Harmony R32 Ductless Single Zone Heat Pump	49
	OCL	Standard Convector	11		OTP-P-R32	Pacific R32 Ductless Single Zone Heat Pump	52
	ORC	Radiant Cove Heater	13		OTP-O-R32	Olympia R32 Ductless Single Zone Heat Pump	55
	OHY	Convection and Fan Heater	14		OTP-MZ-R32	Myriad Plus R32 Ductless Multizone Heat Pump	58
	OVC	Compact Electronic Fan Heater	15		OTP	Options	63
	OVE	European-Style Bathroom Fan Heater	17		OTM	Floor Heating Cable on Mat	64
	OFB	Compact Wall Fan Heater	18		OTR	Floor Heating Cable for Membrane	64
	OVOS	Stylish Wall Fan Heater	19		OWF-R	Floor Heating Cable for Installation with Strapping	66
	OVO	Residential Wall Fan Heater	21		OWC-M	Heating Cable for Concrete on Mat	68
	OVOH	Horizontal Wall Fan Heater	23		OWC-R	Heating Cable for Concrete in Reel	68
	OVS	Residential Wall Fan Heater	25		OWS-T	Heating Cable for Snow Melting on Mat	70
	OVR	Register Wall Fan Heater	27		OSR-PI	120V Preassembled Self-Regulating Heating Cable	72
	OVSP	Residential Ceiling Fan Heater	29		OSR-NA	All Purpose Self-Regulating Heating Cable ELSR-NA	73
	OCP	Kickspace Fan Heater	31		OSR-MA	Micro Self-Regulating Heating Cable ELSR-MA	75
	OFH	Floor Insert Fan Heater	32		OSR-HA	High Temperature Self-Regulating Heating Cable ELSR-HA	77
	OFE-A	Advantage Electric Furnace	33		OSR	Options	79
	OFE-ECM	Energy Efficient Nortron Electric Furnace	35		ELK-MI	Mineral Insulated (M.I.) Alloy 825 Cable Assembly	81
	OSAME115R	ERV - Energy Recovery Ventilator with Recirculation	37		OCF	Patio Infrared Heater	83
	OSALE115	ERV - Energy Recovery Ventilator	39		DECOR	Architectural Ceramic Glass Patio Infrared Heater	85
	OSALE150	ERV - Energy Recovery Ventilator	41		ORP	Architectural Radiant Panel	86
	OSA-ME230R	ERV - Energy Recovery Ventilator with Recirculation	43		OTS	Trench Insert Floor Convector	88

Table of Contents









































	OMB	Mini Aluminum Draft Barrier	90		OCC-WB	Unit Heater with Bracket	146
	OHB	High Density Aluminum Draft Barrier	93		OKB	Infrared Radiant Heater	147
	ODB	Aluminum Draft Barrier	96		OAU	Agricultural Wash Down Unit Heater	148
	ODI	Aluminum Sloped Top Draft Barrier	96		OHV	Commercial Unit Heater	149
	OCB	Heavy-Duty Aluminum Draft Barrier	101		OHV-CC	Commercial Portable Unit Heater	151
	ODBA	Steel Draft Barrier	103		OHV-RF	Hard-Wired Unit Heater	152
	ODIA	Steel Sloped Top Draft Barrier	103		OPH	Plenum Rated Unit Heater	153
	OPR	Heavy-Duty Steel Draft Barrier	109		OAS	Commercial Industrial Suspended Unit Heater	155
	OPA	Architectural Cabinet Convector	112		OAS-MD	Mine Duty Option	158
	OPI	Architectural Sloped Top Cabinet Convector	115		OWD	Wash Down Unit Heater	159
	OLA	High Density Architectural Cabinet Convector	118		OHX	Explosion-Proof Unit Heater	161
	OLI	High Density Architectural Sloped Top Cabinet Convector	121		XB	Explosion-Proof Convection Heater	163
	OCA	Cabinet Unit Heater	124		OPXA	Explosion-Proof Sloped Top Convector Heater	165
	OAWH	Architectural Aluminum Wall Fan Heater	126		OSM-AF	AirForce™ Multi Nozzle High Velocity Hand Dryer	169
	OAC	Commercial Wall Fan Heater	130		OSM-AD	AirDuo Hand and Hair Dryer	169
	OACP	Commercial Ceiling Fan Heater	133		OSM-AT	AirTempest Hand Dryer	169
	ODS	Ceiling Fan Heater	135		OSM-VD	VERDEdri™ Slim Profile High Velocity Hand Dryer	170
	ORA-EC22	Air Curtain for Small Entrances	137		OSM-SD	SMARTdri™ Plus Versatile Hand Dryer	170
	ORA-EC40	Commercial and Industrial Air Curtain	139				
	ORA-PA15	Drive-Through / Service Counters Air Curtain	142				
	OAE	Economical Unit Heater	144				
	OCC	Portable Construction Heater	145				

Table of Contents

GT130	Smart Gateway	171
OTH4000-ZB	Smart Thermostat - Zigbee	171
OTH3600-GA-V2	Non Programmable Electronic Thermostat for Floor Heating System	172
OTH3600P-GA	Programmable Electronic Thermostat for Floor Heating System	172
OTH3600-GA-ZB	Smart Thermostat - Zigbee for Floor Heating System	173
TH1310WF	Smart Thermostat - Wi-Fi for Floor Heating System	173
TR1310	Expansion Unit for Floor Heating System	173
OTH3000	Non Programmable Electronic Thermostats	174
OTH4000		
OTH3000P	Programmable Electronic Thermostats	174
OTH4000P		
OTH5007	347V Non Programmable Electronic Thermostat	174
OTH24-V2	Low Voltage Non Programmable Electronic Thermostat (2 outputs)	175
OTH24-AFR	Low Voltage Programmable Electronic Thermostat (2 outputs)	175

Mechanical and Electronic Thermostats	176
Low Voltage Relays	176
Universal Guards	176
Wall Thermostats Reference Chart	177
Electrical Fundamentals	178
Color Chart	179
Merchandise Returns	179
Spare Parts	179
Important Notice	179
Warranty	180

RBH Electric Baseboard Heater



Features

Color

- Standard: Semi-gloss powdered paint finish in white, almond optional.
- Optional Special Stock Finishes: See special color chart for available finishes.

Finish

- Standard: 4H pencil hardness epoxy/polyester powder coat paint.
- May be repainted with any interior paint.

Voltage

- 120V, 208V, 240/208V, 277V, 347V, 480V, 600V, 1-phase.

Construction

- Robust 22-gauge tight fit body.
- Sturdy 20-gauge front panel with design embossed lines.
- Welded 20-gauge junction box to back wrap, easy rear access wiring panel.
- Rounded upper corners and junction box sides.
- Linear high-limit temperature control with automatic reset.
- High altitude version available (-HA) up to 8200 ft.

Heating element

- Stainless steel tubular heating element with aluminum fins.
- Floating stainless steel heating element on high-temperature nylon bushings reducing expansion noises.
- Aluminum diamond shape element fins position for maximized heat transfer.
- Element locked in place by screw on a stainless steel support.

Dimension

- See Table.
- Small height and slim depth for economy of space.
- Standard watt density and low watt density models.

Control

- A wide selection of built-in controls available.
- Built-in thermostat kit can be installed at either end.
- Built-in relay kit fits in the right end box only.
- A compartment for low voltage connections (located directly under the junction box) facilitates the installation of low voltage relay in electric baseboard.

Ouellet highly recommends using an electronic wall thermostat for greater comfort and efficiency.

Installation

- No disassembly installation with single-screw built-in rear entry wire holder.
- Installation directly on the floor with connection box at both ends of the heater.
- Two rows of oblong mounting holes with center mark for ease of installation.
- Raceway and side knock-outs for baseboard interconnections.

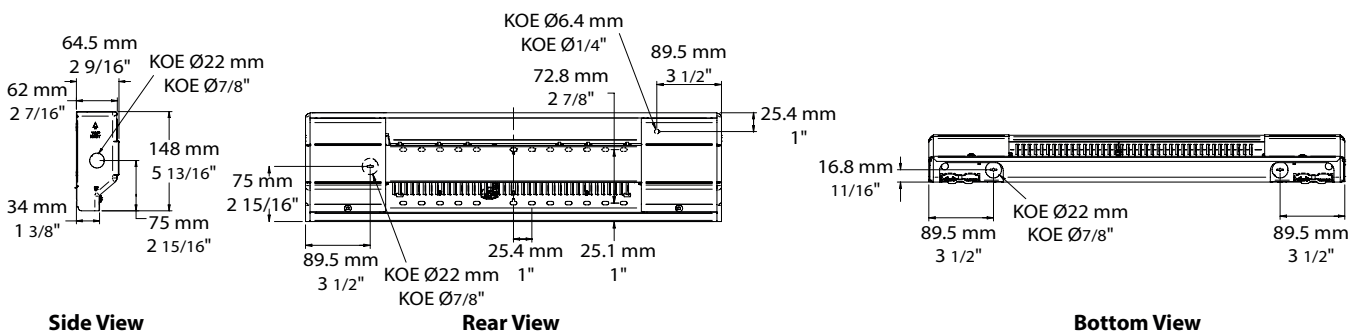
Warranty

- 5-year warranty against defects.
- Heating element has a lifetime warranty for the initial end user.

Note: Stainless steel tubular heating element on all sizes greatly reduces the potential for 60Hz hum. Locked-in-place element, mounting slot holes and overall construction maximizes performance, quality and more.

Application

- Residential and light commercial applications. Living areas, bedrooms, etc.



RBH

Standard Watt Density Models

Single Voltage Products #			Dual Voltage Products #			Length ¹		Weight	
Watts	120V	208V	Watts	240/208V	277/240V	in.	mm	lb	kg
300	RBH0302	RBH0308	300/225	RBH0300	-	22 3/4	577	4.5	2.0
350	RBH0352	RBH0358	350/263	RBH0350	-	24	610	4.7	2.2
500	RBH0502	RBH0508	500/375	RBH0500	RBH0577	27 3/4	702	5.4	2.4
700	RBH0702	RBH0708	700/525	RBH0700	RBHA777 ²	36	915	6.7	3.0
750	RBH0752	RBH0758	750/563	RBH0750	RBH0777 ²	37 3/4	956	7.0	3.2
1000	RBH1002	RBH1008	1000/750	RBH1000	RBH1077	48	1217	8.7	3.9
1250	RBH1252	RBH1258	1250/938	RBH1250	RBH1277	60	1524	10.7	4.9
1500	RBH1502	RBH1508	1500/1125	RBH1500	RBH1577	72	1829	12.7	5.7
1750	-	RBH1758	1750/1313	RBH1750	RBH1777	75 1/2	1916	13.2	6.0
1850	-	RBH1858	1850/1390	RBH1850	RBH1877	84	2134	14.6	6.6
2000	-	RBH2008	2000/1500	RBH2000	RBH2077	96	2439	16.6	7.5
2250 ³	-	RBH2258	2250/1688 ³	RBH2250	RBH2277	93	2364	16.2	7.3
2500 ³	-	RBH2508	2500/1875 ³	RBH2500	RBH2577	102 1/4	2596	17.8	8.0

Low Watt Density Models

75% of rated wattage for dual voltage products. For 208V low watt density, operate 240V model at 208V. For 240V low watt density, operate 277V model at 240V. Low watt density models not available for 120V or 277V.

Options

Product # Kit	Product # Factory installed*	Description
KIT-OFM-CI	-	Corners (inside and outside)
KIT-RBH-DIS20 ⁴	DIS20 ⁴	Disconnect switch, double-pole, 20A at 277V max.
-	HA	Linear high-limit temperature control for high altitude (3000 ft. to 8200 ft.)
KIT-OFM-RO1	-	Baseboard section 6 in. (152 mm) - Surface-mount 5-15R receptacle - 15A at 120V
KIT-OFM-RO2	-	Baseboard section 6 in. (152 mm) - 240V splitter box toward a surface-mount, 6-20R receptacle (20A switch, double-pole, double-throw)
KIT-OFM-RO2B	-	Baseboard section 6 in. (152 mm) - Surface-mount 6-20R receptacle - 240V
KIT-RBH-R-347	R	Single-pole relay, coil 24V, without transformer, 22A at 120V, 208V, 240V - 18A at 347V
KIT-RBH-R-600	R	Single-pole relay, coil 24V, without transformer, 10A at 600V
KIT-RBH-RT-120	RT	Single-pole relay, coil 24V, with transformer, 22A at 120V
KIT-RBH-RT-208	RT	Single-pole relay, coil 24V, with transformer, 22A at 208V
KIT-RBH-RT-240	RT	Single-pole relay, coil 24V, with transformer, 22A at 240V
KIT-RBH-RT-277	RT	Single-pole relay, coil 24V, with transformer, 19A at 277V
KIT-RBH-RT-347	RT	Single-pole relay, coil 24V, with transformer, 18A at 347V
KIT-RBH-RT-600 ⁵	RT ⁵	Single-pole relay, coil 24V, with transformer, 10A at 600V (2-wire only)
KIT-OFM-240SPLITTER	-	Baseboard section 6 in. (152 mm) - 240V splitter box to permanently connect a secondary product (20A switch, double-pole, double-throw)
KIT-OFM-SR	-	Baseboard section 6 in. (152 mm) for the installation of a 24V relay (relay not included)
KIT-RBH-TB6	TB6	Single-pole bi-metal thermostat: 25A at 120V, 208V, 240V, 277V - 10A at 347V, 480V, 600V
KIT-RBH-TB26 ⁶	TB26 ⁶	Double-pole bi-metal thermostat: 25A at 120V, 208V, 240V, 277V - 10A at 347V, 480V, 600V
KIT-RBH-TB6-AV	TB6AV	Single-pole bi-metal tamperproof thermostat: 25A at 120V, 208V, 240V, 277V - 10A at 347V, 480V, 600V
KIT-RBH-TB26-AV ⁶	TB26AV ⁶	Double-pole bi-metal tamperproof thermostat: 25A at 120V, 208V, 240V, 277V - 10A at 347V, 480V, 600V
KIT-RBH-TRIAC-347	TRIAC	Single-pole electronic relay, coil 24V, without transformer, 15A at 347V max.
KIT-RBH-TRIAC-347T	TRIACT	Single-pole electronic relay, coil 24V, with transformer, 15A at 208V, 240V, 347V
KIT-RBH-TRIAC-600	TRIAC	Single-pole electronic relay, coil 24V, without transformer, 6A at 600V max.

* For factory installed options, add the option number to the product number. See the **Product Code** section inside the front cover.

¹ Nominal length ±1/8" (3 mm).

² Product number RBHA777 for 700W at 277V in 36".

Product number RBH0777 for 750W at 277V in 37 3/4".

³ These models must be ordered in pairs to reduce shipping damage.

⁴ For the U.S. only: The nominal current of the unit must not exceed 80% of the capacity of the disconnect.

⁵ These 2-wire relay with transformer can't supply 3-wire low voltage thermostats.

⁶ "Off" position.

Add "BL" for white, "AM" for almond.

Optional colors shown in the color chart section are available upon request.

Other voltages available upon request.

ODL High-End Baseboard Heater



Features

Color

- Standard: white, metallic charcoal.
- Optional (upcharge applicable): almond, metallic silver, bronze, aluminum, semi-gloss black, sand.
- Custom colors available upon request.

Finish

- Standard: epoxy/polyester powder paint.

Voltage

- 120V, 208V, 240/208V, 277V, 347V, 480V, 600V, 1-phase.

Construction

- Robust aluminum front cover.
- 20-gauge satin coat steel cabinet.
- Linear high-limit temperature control with automatic reset.
- High altitude version available (-HA).

Heating element

- Stainless steel tubular heating element with aluminum fins.
- Floating heating element on high-temperature nylon bushings reducing expansion noises.

Watt density

- Standard watt density.
- Low watt density.

Control

- Built-in thermostat available with a control knob or tamperproof.
- Mechanical or electronic relays available (installed on the right end only).
- Compartment for low voltage connections (located directly under the junction box) to facilitate the installation of low voltage relay.

Ouellet highly recommends the use of an electronic wall thermostat for greater comfort.

Installation

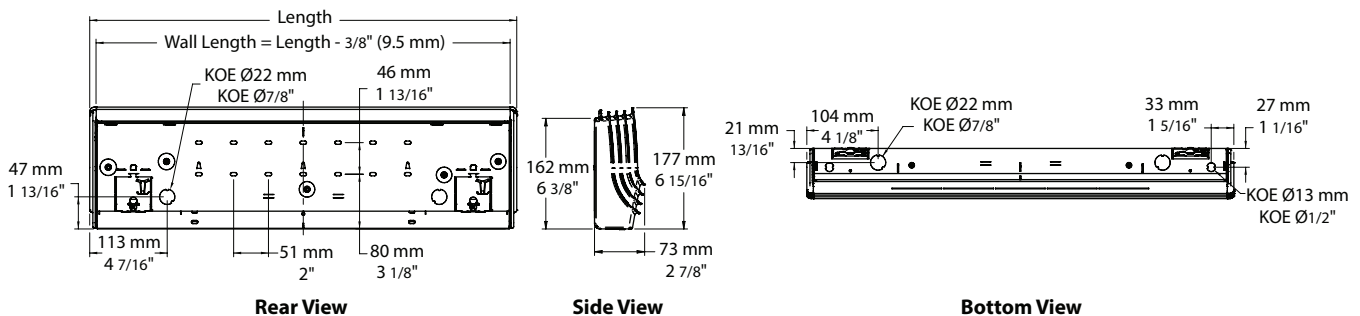
- Installation directly on the floor.
- Connection box at both ends.
- Single-screw built-in wire holder.
- Raceway for ease of installation.
- Two rows of mounting holes spaced at 2 in. (51 mm) intervals for ease of installation.

Warranty

- 10-year warranty against defects.
- Heating element has a lifetime warranty for the initial end user.

Application

- Dining room-kitchen, living room, family room, bedroom, bay window, office building, commercial building.



Standard Watt Density Models

Watts	Watts		Product #			Length ¹		Weight	
	240/208V	120V	208V	240/208V	277V	in.	mm	lb	kg
300	300/225	ODLU0302	ODLU0308	ODLU0300	-	24 5/8	625	7.4	3.4
500	500/375	ODLU0502	ODLU0508	ODLU0500	ODLU0577	29 1/2	750	8.5	3.9
750	750/563	ODLU0752	ODLU0758	ODLU0750	ODLU0777	39 1/2	1004	10.7	4.9
1000	1000/750	ODLU1002	ODLU1008	ODLU1000	ODLU1077	49 13/16	1265	13.0	5.9
1250	1250/938	ODLU1252	ODLU1258	ODLU1250	ODLU1277	59 1/4	1506	15.1	6.9
1500	1500/1125	ODLU1502	ODLU1508	ODLU1500	ODLU1577	68	1727	17.0	7.7
1750	1750/1313	-	ODLU1758	ODLU1750	ODLU1777	77 5/16	1964	19.1	8.7
2000	2000/1500	-	ODLU2008	ODLU2000	ODLU2077	86 1/8	2187	21.0	9.6
2250	2250/1688	-	ODLU2258	ODLU2250	ODLU2277	94 15/16	2412	23.0	10.5
2500	2500/1875	-	ODLU2508	ODLU2500	ODLU2577	104 1/16	2644	25.0	11.4

Low Watt Density Models

Watts	Watts		Product #			Length ¹		Weight	
	240/208V	120V	208V	240/208V	277V	in.	mm	lb	kg
300	300/225	ODLU0302-750	ODLU0308-750	ODLU0300-750	ODLU0377-750	29 1/2	750	8.5	3.9
500	500/375	ODLU0502-1004	ODLU0508-1004	ODLU0500-1004	ODLU0577-1004	39 1/2	1004	10.7	4.9
750	750/563	ODLU0752-1265	ODLU0758-1265	ODLU0750-1265	ODLU0777-1265	49 13/16	1265	13.0	5.9
1000	1000/750	ODLU1002-1506	ODLU1008-1506	ODLU1000-1506	ODLU1077-1506	59 1/4	1506	15.1	6.9
1250	1250/938	ODLU1252-1727	ODLU1258-1727	ODLU1250-1727	ODLU1277-1727	68	1727	17.0	7.7
1500	1500/1125	ODLU1502-2187	ODLU1508-2187	ODLU1500-2187	ODLU1577-2187	86 1/8	2187	21.0	9.6
1750	1750/1313	-	ODLU1758-2412	ODLU1750-2412	ODLU1777-2412	94 15/16	2412	23.0	10.5
2000	2000/1500	-	ODLU2008-2644	ODLU2000-2644	ODLU2077-2644	104 1/16	2644	23.0	10.5
2250	2250/1688	-	ODLU2258-2644	ODLU2250-2644	ODLU2277-2644	104 1/16	2644	23.0	10.5

Options

Product # Kit	Product # Factory installed*	Description
KIT-ODL-DIS20 ⁴	DIS20 ⁴	Disconnect switch, double-pole, 20A at 277V max.
-	HA	Linear high-limit temperature control for high altitude (3000 ft. at 8200 ft.)
KIT-ODL-R-347	R	Single-pole relay, coil 24V, without transformer, 22A at 120V, 208V, 240V - 18A at 347V
KIT-ODL-R-600	R	Single-pole relay, coil 24V, without transformer, 10A at 600V
KIT-ODL-RT-120	RT	Single-pole relay, coil 24V, with transformer 120V/24V, 22A at 120V
KIT-ODL-RT-208	RT	Single-pole relay, coil 24V, with transformer 208V/24V, 22A at 208V
KIT-ODL-RT-240	RT	Single-pole relay, coil 24V, with transformer 240V/24V, 22A at 240V
KIT-ODL-RT-277	RT	Single-pole relay, coil 24V, with transformer 277V/24V, 19A at 277V
KIT-ODL-RT-347	RT	Single-pole relay, coil 24V, with transformer 347V/24V, 18A at 347V
KIT-ODL-RT-600 ²	RT ²	Single-pole relay, coil 24V, with transformer 600V/24V, 10A at 600V (2-wire only)
KIT-ODL-TB6	TB6	Single-pole bi-metal thermostat: 25A at 120V, 208V, 240V, 277V - 10A at 347V, 480V, 600V
KIT-ODL-TB26 ³	TB26 ³	Double-pole bi-metal thermostat: 25A at 120V, 208V, 240V, 277V - 10A at 347V, 480V, 600V
KIT-ODL-TB6-AV	TB6AV	Single-pole bi-metal tamperproof thermostat: 25A at 120V, 208V, 240V, 277V - 10A at 347V, 480V, 600V
KIT-ODL-TB26-AV ³	TB26AV ³	Double-pole bi-metal tamperproof thermostat: 25A at 120V, 208V, 240V, 277V - 10A at 347V, 480V, 600V
KIT-ODL-TRIAC-347	TRIAC	Single-pole electronic relay, coil 24V, without transformer, 15A at 347V max.
KIT-ODL-TRIAC-347T	TRIACT	Single-pole electronic relay, coil 24V, with transformer, 15A at 208V, 240V, 277V, 347V
KIT-ODL-TRIAC-600	TRIAC	Single-pole electronic relay, coil 24V, without transformer, 6A at 600V max.

* For factory installed options, add the option number to the product number. See the **Product Code** section inside the front cover.

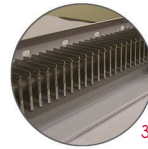
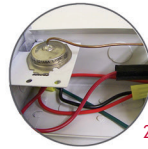
¹ Wall length = Length - 3/8" (9.5 mm).

² These 2-wire relays with transformer can't supply of 3-wire low voltage thermostats.

³ "Off" position.

⁴ For the U.S. only: The nominal current of the unit must not exceed 80% of the capacity of the disconnect. Add "BL" for white, "CM" for metallic charcoal. Upcharge available for optional colors shown in the color chart section. Other voltages available upon request.

OPPM Mini Steel Draft Barrier



Features

Color

- Standard: white, almond.
- Optional (upcharge applicable): metallic silver, bronze, metallic charcoal, aluminum, semi-gloss black, sand.
- Custom colors available upon request.

Finish

- Standard: epoxy/polyester powder paint.

Voltage

- 120V, 208V, 240/208V, 277V, 347V, 480V, 600V, 1-phase.

Construction

- So sturdy, it can be used as a step (18-gauge steel). **1**
- Linear high-limit temperature control with automatic reset. **2**

Heating element

- Stainless steel tubular heating element with aluminum fins. **3**
- Floating heating element on high-temperature nylon bushings reducing expansion noises.

Watt density

- Standard watt density.

Control

- Built-in thermostat available with a control knob or tamperproof (installed on the left end only).
- Mechanical or electronic relays available (installed on the right end only).

Ouellet highly recommends using an electronic wall thermostat for greater comfort.

Installation

- Not for residential use in the United States.
- 2 rows of mounting holes, every 2 in. (51 mm), for ease of installation.
- Variety of accessories available for wall-to-wall installation.
- Pedestal kit available.

Warranty

- 1-year warranty against defects.

Application

- Patio door, bay window, commercial building, office building, condo, restaurant..

Standard Watt Density Models

Watts	Watts			Product #			Length		Weight	
	240/208V	120V	208V	240/208V	277V	480V	in.	mm	lb	kg
300	300/225	OPPM0302	OPPM0308	OPPM0300	-	-	23 5/8	600	5.3	2.4
450	450/338	OPPM0452	OPPM0458	OPPM0450	OPPM0477	-	35 7/16	900	9.5	4.3
600	600/450	OPPM0602	OPPM0608	OPPM0600	OPPM0677	-	47 1/4	1200	12.2	5.5
750	750/563	OPPM0752	OPPM0758	OPPM0750	OPPM0777	OPPM0754	59 1/16	1500	15.0	6.8
900	900/675	OPPM0902	OPPM0908	OPPM0900	OPPM0977	OPPM0904	70 7/8	1800	17.8	8.1
1050	1050/788	OPPM1052	OPPM1058	OPPM1050	OPPM1077	OPPM1054	82 11/16	2100	20.6	9.3
1200	1200/900	OPPM1202	OPPM1208	OPPM1200	OPPM1277	OPPM1204	94 1/2	2400	23.4	10.6
1350	1350/1013	OPPM1352	OPPM1358	OPPM1350	OPPM1377	OPPM1354	106 5/16	2700	26.2	11.9

Options

Product # Kit	Product # Factory installed*	Description
-	BD	Clean back
KIT-OPPM-CE	-	Outside corner, 3 in. (76 mm)
KIT-OPPM-CI	-	Inside corner, 3 in. (76 mm)
KIT-OPPM-JT	-	Splice plate, 2 in. (51 mm)
KIT-OPPM-JT-PE	-	Contour splice plate for BD option and/or heater with pedestals, 2 in. (51 mm)
KIT-OPPM-PE	-	Round pedestal kit (2), 3 in. (76 mm)
KIT-OPPM-PEC	-	Square-shaped pedestal kit (2), 2 in. (51 mm)
KIT-OPPM-R-347 ¹	R ¹	Single-pole relay, coil 24V, without transformer, 22A at 208V, 240V - 19A at 277V - 18A at 347V
KIT-OPPM-R-600 ¹	R ¹	Single-pole relay, coil 24V, without transformer, 10A at 600V
KIT-OPPM-RT-208 ¹	RT ¹	Single-pole relay, coil 24V, with transformer 208V/24V, 22A at 208V
KIT-OPPM-RT-240 ¹	RT ¹	Single-pole relay, coil 24V, with transformer 240V/24V, 22A at 240V
KIT-OPPM-RT-277 ¹	RT ¹	Single-pole relay, coil 24V, with transformer 277V/24V, 19A at 277V
KIT-OPPM-RT-347 ¹	RT ¹	Single-pole relay, coil 24V, with transformer 347V/24V, 18A at 347V
OPPM-SV-XX	-	Empty cabinet length of XX mm (minimum : 154 mm, maximum : 2700 mm)
KIT-OPPM-TB6 ²	TB6 ²	Single-pole bi-metal thermostat: 25A at 120V, 208V, 240V, 277V - 10A at 347V, 480V, 600V
KIT-OPPM-TB26 ^{2,3}	TB26 ^{2,3}	Double-pole bi-metal thermostat: 25A at 120V, 208V, 240V, 277V - 10A at 347V, 480V, 600V
KIT-OPPM-TB6-AV ²	TB6AV ²	Single-pole bi-metal tamperproof thermostat: 25A at 120V, 208V, 240V, 277V - 10A at 347V, 480V, 600V
KIT-OPPM-TB26-AV ^{2,3}	TB26AV ^{2,3}	Double-pole bi-metal tamperproof thermostat: 25A at 120V, 208V, 240V, 277V - 10A at 347V, 480V, 600V
KIT-OPPM-TRIAC-347 ¹	TRIAC ¹	Single-pole electronic relay, coil 24V, without transformer, 10A max. (except for 1350W: 11.5A max.) at 347V max.
KIT-OPPM-TRIAC-347T ¹	TRIACT ¹	Single-pole electronic relay, coil 24V, with transformer, 10A max. (except for 1350W: 11.5A max.) at 208V, 240V, 347V
KIT-OPPM-TRIAC-600 ¹	TRIAC ¹	Single-pole electronic relay, coil 24V, without transformer, 6A at 600V max.

* For factory installed options, add the option number to the product number. See the **Product Code** section inside the front cover.

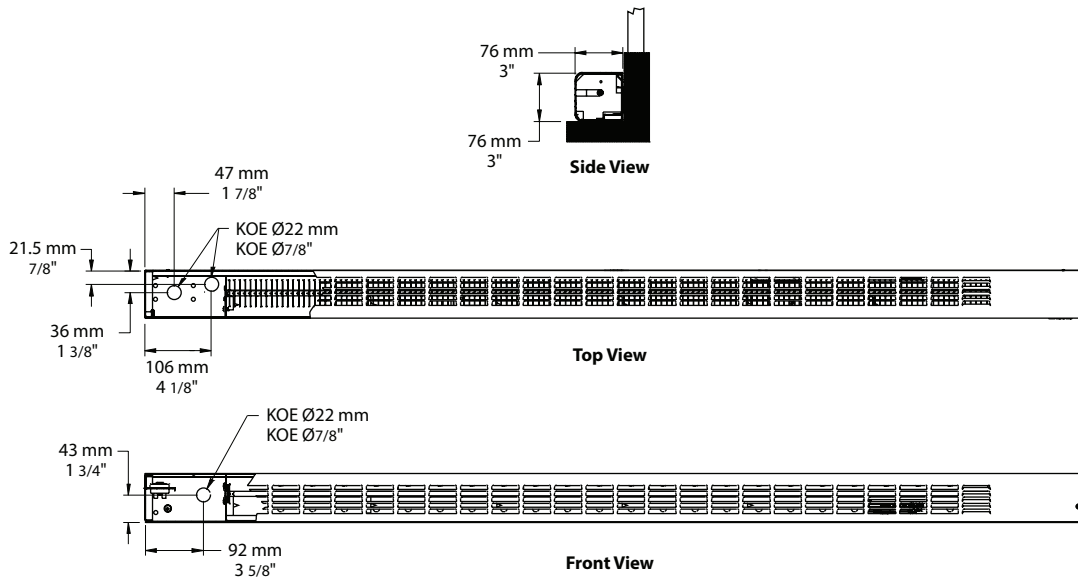
¹ Options installed at right end only.

² Options installed at left end only.

³ "Off" position.

Add "BL" for white, "AM" for almond. Upcharge available for optional colors shown in the color chart section.

Other voltages available upon request.



OCL Standard Convector



Features

Color

- Standard: white.
- Optional (upcharge applicable): almond, metallic silver, bronze, aluminum, semi-gloss black, metallic charcoal, sand.
- Custom colors available upon request.

Finish

- Standard: epoxy/polyester powder paint.

Voltage

- 120V, 208V, 240/208V, 277V, 347V, 480V, 600V, 60 Hz, 1-phase.

Construction

- 20-gauge steel.
- Top warm air outlet for rapid, even heat distribution throughout the room and optimum efficiency.
- Openings preventing insertion of foreign objects.
- High-limit temperature control with automatic reset.

Heating element

- 2 stainless steel tubular heating elements with aluminum fins.
- Floating heating element on high-temperature nylon bushings reducing expansion noises.

Watt density

- 700W/ft. (2320W/m).

Control

- Built-in non programmable electronic thermostat for the 120V to 240V models (-TH models).
- Wall thermostat (not included).

Installation

- 4 in. (102 mm) minimum clearance to floor and from an adjacent wall.
- Quick surface-mounted installation, with the included wall mounting bracket.
- Single-screw built-in wire holder for quick access to the junction box.
- Optional kit of 10 BX wire-holding plates, for installing an AC90 type electrical cable.

Warranty

- 5-year warranty against defects.

Ouellet highly recommends the use of an electronic wall thermostat for greater comfort.

Application

- Kitchen, living room, family room, office, bedroom, basement, entrance hall.

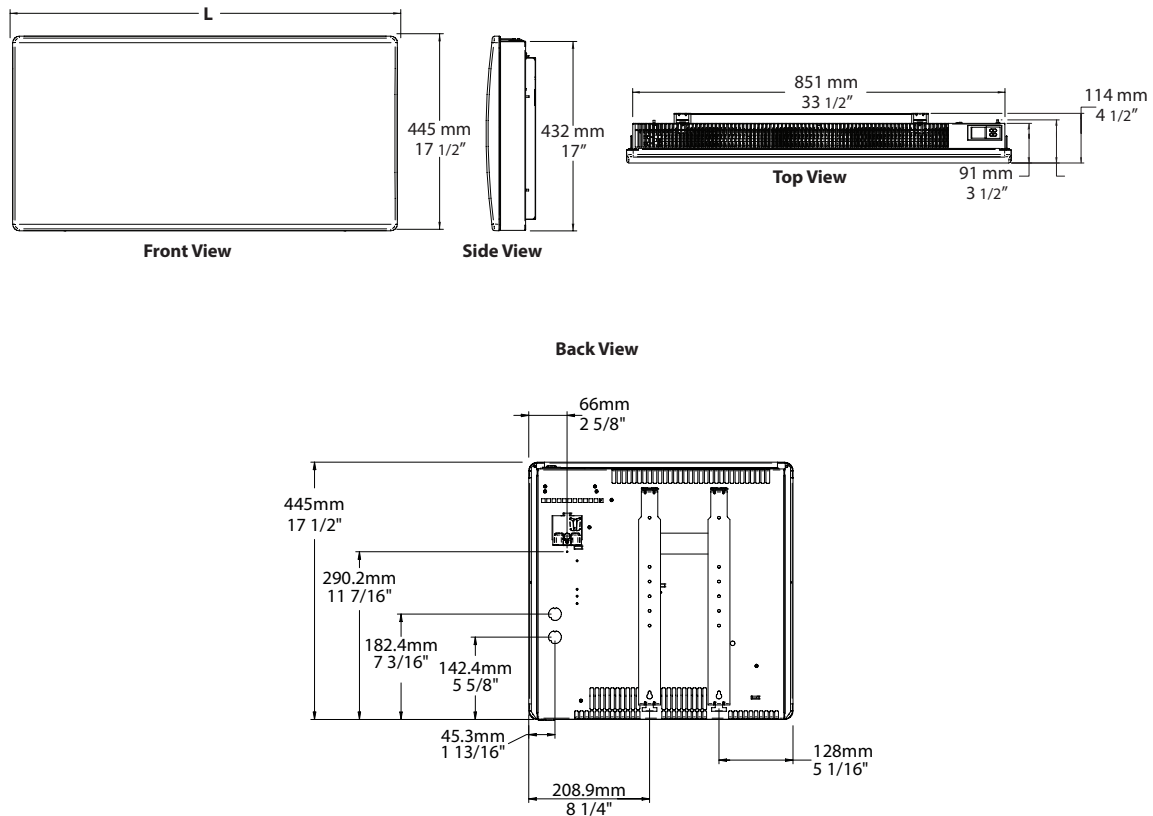
Models

Volts	Watts	Product #		Length		Weight	
		Without thermostat	Built-in thermostat	in.	mm	lb	kg
120	500	OCLU0502BL	OCLU0502BL-TH	18	457	13	6
120	1000	OCLU1002BL	OCLU1002BL-TH	23 9/16	598	16.7	7.6
120	1500	OCLU1502BL	OCLU1502BL-TH	29 1/16	739	20	9.12
208	500	OCLU0508BL	OCLU0508BL-TH	18	457	13	6
208	1000	OCLU1008BL	OCLU1008BL-TH	23 9/16	598	16.7	7.6
208	1500	OCLU1508BL	OCLU1508BL-TH	29 1/16	739	20	9.12
208	2000	OCLU2008BL	OCLU2008BL-TH	34 5/8	880	24	10.9
240/208	500/375	OCLU0500BL	OCLU0500BL-TH	18	457	13	6
240/208	1000/750	OCLU1000BL	OCLU1000BL-TH	23 9/16	598	16.7	7.6
240/208	1500/1125	OCLU1500BL	OCLU1500BL-TH	29 1/16	739	20	9.12
240/208	2000/1500	OCLU2000BL	OCLU2000BL-TH	34 5/8	880	24	10.9
277	500	OCLU0577BL	-	18	457	13	6
277	1000	OCLU1077BL	-	23 9/16	598	16.7	7.6
277	1500	OCLU1577BL	-	29 1/16	739	20	9.12
277	2000	OCLU2077BL	-	34 5/8	880	24	10.9
480	1000	OCLU1004BL	-	23 9/16	598	16.7	7.6
480	1500	OCLU1504BL	-	29 1/16	739	20	9.12
480	2000	OCLU2004BL	-	34 5/8	880	24	10.9

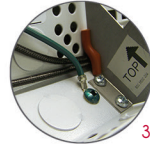
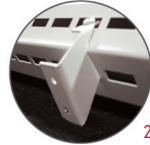
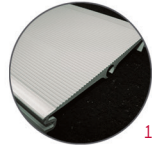
Options

Product # Kit	Product # Factory installed*	Description
KIT-SERF-BX	-	Kit of 10 BX wire-holding plates, for installing an AC90 type electrical cable
KIT-OCL-TRIAC-347	TRIAC	Single-pole electronic relay, coil 24V, without transformer: 15A at 347V max.
KIT-OCL-TRIAC-347T	TRIAC T	Single-pole electronic relay, coil 24V, with transformer: 15A at 208V, 240V, 277V, 347V
KIT-OCL-TRIAC-600	TRIAC	Single-pole electronic relay, coil 24V, without transformer: 6A at 600V max.

* For factory installed options, add the option number to the product number. See the **Product Code** section inside the front cover.
Standard color is white.
Other voltages available upon request.



ORC Radiant Cove Heater



Features

Color and Finish

- Standard: white, mat black and anodized aluminum finish.

Voltage

- 120V, 208V, 240V, 277V, 347V, 480V, 600V 50/60 Hz.

Construction

- Front made of an aluminum extrusion profiled to increase radiating surface. **1**
- Back of the unit made with 18-gauge steel.
- Junction box on each end.
- Wall installation brackets (supplied) that doesn't require opening the unit's casing. KOE 7/8 in. (22 mm) for the installation of the BX wires. **2**
- 4 in. (102 mm) ground wires on both ends. **3**
- Wireway approved for interconnection of units using the factory installed additional wires. This is used in wall-to-wall heater installation. **3**
- Highly-emissive paint on the heat exchanger for higher efficiency.

Heating element

- Stainless steel tubular heating element inserted into a solid aluminum extrusion preventing any thermal expansion noise.

Control

- Single or double-pole built-in thermostat available.

Ouellet highly recommends to use an electronic wall thermostat for greater comfort.

Installation

- 6 ft. (1.83 m) minimum clearance to floor and 4 1/2 in. (114 mm) minimum from ceiling.
- Variety of accessories available for wall-to-wall installation.

Warranty

- 10-year warranty against defects.

Application

- Entrance way, bathroom, kitchen, living room, family room, bedroom, patio door, bay window, daycare, nursery, workshop.

Models

Watts	Product #				Weight		Length	
	120V	208V	240V	277V	lb	kg	in.	mm
390	ORC0392	ORC0398	ORC0390	ORC0377	6.0	2.7	34	864
600	ORC0602	ORC0608	ORC0600	ORC0677	8.0	3.6	47	1194
750	ORC0752	ORC0758	ORC0750	ORC0777	10.0	4.5	59	1499
900	ORC0902	ORC0908	ORC0900	ORC0977	12.0	5.4	71	1803
1050	ORC1052	ORC1058	ORC1050	ORC1077	13.0	5.9	83	2108
1200	ORC1202	ORC1208	ORC1200	ORC1277	15.0	6.8	94	2388
1500 ¹	ORC1502	ORC1508	ORC1500	ORC1577	18.0	8.2	113	2870

Options

Product # Kit	Product # Factory installed ²	Description
KIT-ORC-JT	-	Splice plate
KIT-ORC-TB6 ²	TB6 ²	Single-pole bi-metal thermostat
KIT-ORC-TB26 ^{2,3}	TB26 ^{2,3}	4 in. (101 mm) section with double-pole bi-metal thermostat

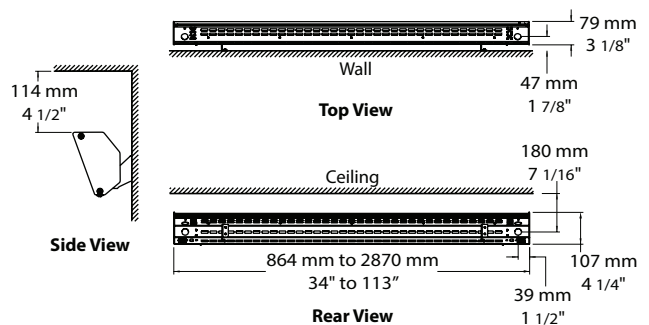
¹ For factory installed options, add the option number to the product number. See the **Product Code** section inside the front cover.

² These models must be ordered in pairs to reduce shipping damages.

³ Ouellet highly recommends to use an electronic wall thermostat for greater comfort.

³ "Off" position.

Add "BW" for white, "NM" for mat black and "AA" for anodized aluminum finish.



OHY Convection and Fan Heater



Surface Recessed



Training available online www.ouellet.com

Features

Color

- Standard: white, almond.
- Optional (upcharge applicable): metallic silver, bronze, metallic charcoal, aluminum, semi-gloss black, sand.
- Custom colors available upon request.

Finish

- Standard: epoxy/polyester powder paint.

Voltage

- 240V, 1-phase.

Construction

- Cast aluminum front cover.
- Steel bar grilles prevent the insertion of foreign objects; smooth-finish paint is washable and anti-yellowing.
- Automatic reset safety device.
- Built-in white LED night light. **1**

Fan

- Whisper-quiet squirrel-cage fan.
- Factory-lubricated motor.

Heating element

- Helical coil nickel-chromium alloy wire protected by ceramic insulators.
- Heating element provides instant heat.

Control

- Built-in electronic digital thermostat/timer. **2**
- Thermostat mode: pulse modulation: automatic convection to fan-forced switch-over at 1000W.
- Timer mode: 5-30 minutes full power fan-forced boost. **3**

Installation

- 4 in. (102 mm) minimum clearance to floor.
- May be surface-mounted or recessed in 2 in. X 3 in. stud partitions.
- Mounting holes for ease of installation.
- Large wiring compartment.

Warranty

- 2-year warranty against defects.
- 5-year warranty on the heating element.

Application

- Bathroom, kitchen, family room, entrance way.

Model

Product #	Volts	Watts	Weight	
			lb	kg
OHYU2000-TH ¹	240	2000	22.75	10.3

Option

Product # Kit	Product # Factory installed*	Description
KIT-OHY-DIS ²	DIS ²	Disconnect switch, 20A at 250V

* For factory installed options, add the option number to the product number. See the **Product Code** section inside the front cover.

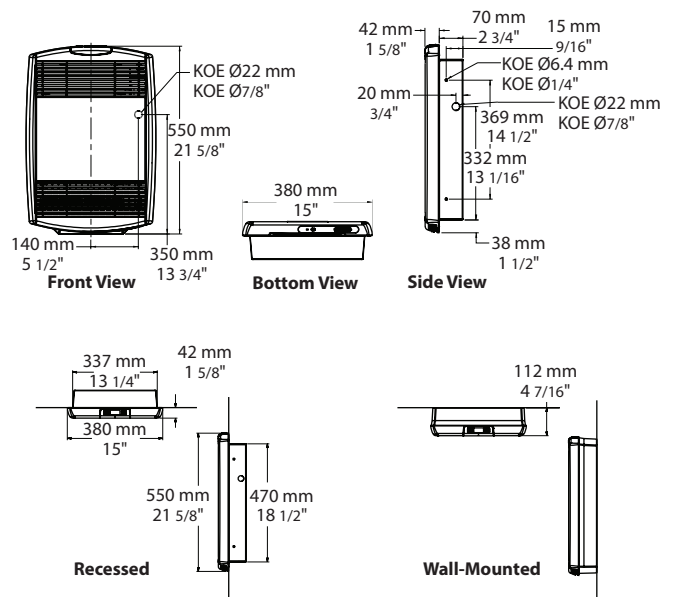
¹BEWARE: Not available for 208V.

² For the U.S. only: The nominal current of the unit must not exceed 80% of the capacity of the disconnect.

Add "BL" for white, "AM" for almond.

Upcharge available for optional colors shown in the color chart section.

Electronic thermostat available in grey only.



OVC Compact Electronic Fan Heater



Features

Color

- Standard: white.
- Optional (upcharge applicable): almond, metallic silver, bronze, metallic charcoal, aluminum, semi-gloss black, sand.
- Custom colors available upon request.

Finish

- Standard: epoxy/polyester powder paint.

Voltage

- 120, 240/208V, 1-phase.

Construction

- Shock-resistant cast aluminum front cover.
- 20-gauge steel.
- High-limit temperature control with automatic reset.

Fan

- Whisper-quiet squirrel-cage fan.
- Factory-lubricated, two-speed motor.

Heating element

- Nickel-chromium alloy stitched wire protected by mica insulators.
- Heating element provides instant heat.

Control

Model (-TH)

- Operating modes adapted for all requirements (comfort, economy, frost-free, full power, standby mode).

- Built-in electronic digital thermostat/timer with backlit display that can be used as a night light.
- Electronic thermostat with 2 triacs automatically switches from 750W to 1500W when needed.
- Keypad lock function that eliminates unwanted temperature adjustments and the use of the thermostat modes.

Model (-PW)

- Requires non pulsing wall-mounted thermostat (sold separately).
- Wattage must be selected at the time of wiring (750W or 1500W).

Installation

- 6 in. (152 mm) minimum clearance to floor.
- May be recessed or surface-mounted without adaptor in 2 in. X 3 in. stud partitions with gypsum.
- Easy installation and connection with mounting screws and knockouts (mounting screws included).
- Template included.

Warranty

- 5-year warranty against defects.

Application

- Hallways, bathrooms, shower rooms, dining rooms, kitchens, corridors.

OVC

Models

Watts		Volts	Product #	Weight	
min.	max.			lb	kg
750	1500	120	OVC1502BL-TH	11.5	5.22
750/563	1500/1125	240/208	OVC1500BL-TH	11.5	5.22
750/563	1500/1125	240/208	OVC1500BL-PW ¹	12.2	5.53

Options

Product # Factory installed*	Description
DIS ²	Disconnect switch, 20A at 250V
R ³	Single-pole relay, coil 24V, without transformer, 22A at 208V, 240V
RT ³	Single-pole relay, coil 24V, with transformer 208V, 240V/24V, 22A max.
TRIAC ³	Single-pole electronic relay, coil 24V, without transformer, 15A at 240V max.
TRIAC ³	Single-pole electronic relay, coil 24V, with transformer, 15A at 240V max.

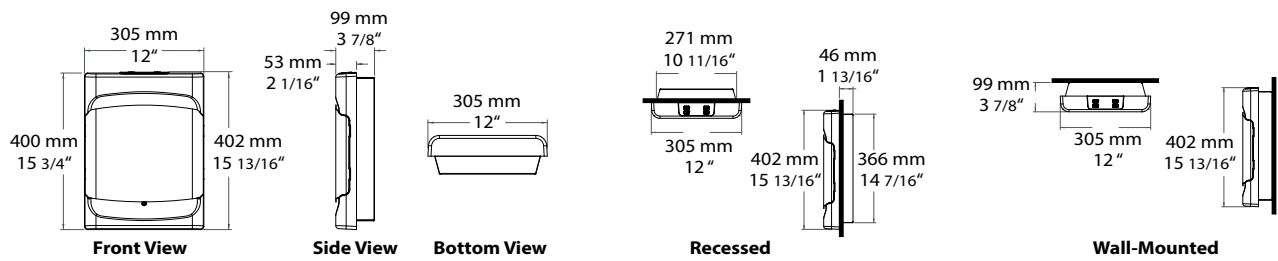
* For factory installed options, add the option number to the product number. See the **Product Code** section inside the front cover.

¹ Requires non pulsing wall-mounted thermostat (sold separately). Please refer to the Wall Thermostats Reference Chart.

² For the U.S. only: The nominal current of the unit must not exceed 80% of the capacity of the disconnect. This option is available with built-in thermostat (option -TH) or power selector (option -PW).

³ These options must be chosen with the power selector (option -PW).

Custom colors available upon request.



OVE European-Style Bathroom Fan Heater



Features

Color

- Standard: white, almond.
- Optional (upcharge applicable): metallic silver, bronze, metallic charcoal, aluminum, semi-gloss black, sand.
- Custom color available upon request.

Finish

- Standard: epoxy/polyester powder paint.
- **Optional: stainless steel (grilles and back of the heater are painted black).**

Voltage

- 120V, 240/208V, 1-phase.

Construction

- 20-gauge steel or 22-gauge stainless steel.
- Outlet-grille efficiently distributes warm air throughout the heated area.
- Bar grilles prevent insertion of foreign objects; smooth-finish paint is washable and anti-yellowing.
- High-limit temperature control with automatic reset.

Fan

- Whisper-quiet squirrel-cage fan.
- Factory-lubricated motor.

Heating element

- Nickel-chromium alloy stitched wire protected by mica insulators.
- Heating element provides instant heat.

Control

- Bulb thermostat (-T and -TM models).
- Mechanical timer, 0-60 minutes (-TM model).

Note: If an electronic wall-mounted thermostat is used, it must be compatible with forced-air heaters.

Installation

- 12 in. (306 mm) minimum clearance to floor.
- May be recessed or surface-mounted without adaptor in 2 in. X 3 in. stud partitions.
- Holes for fastening and convenient knock-outs allow for easy installation and connection (mounting screws included).

Warranty

- 2-year warranty against defects.
- 5-year warranty on the heating element.

Application

- Bathroom, kitchen, family room, entrance way.

Models

Product #	Volts	Watts	Weight	
			lb	kg
OVEU1502 ¹	120	1500	14.0	6.4
OVEU1502-T	120	1500	14.0	6.4
OVEU1502-TM	120	1500	14.0	6.4
OVEU1500 ¹	240/208	1500/1125	14.0	6.4
OVEU1500-T	240/208	1500/1125	14.0	6.4
OVEU1500-TM	240/208	1500/1125	14.0	6.4

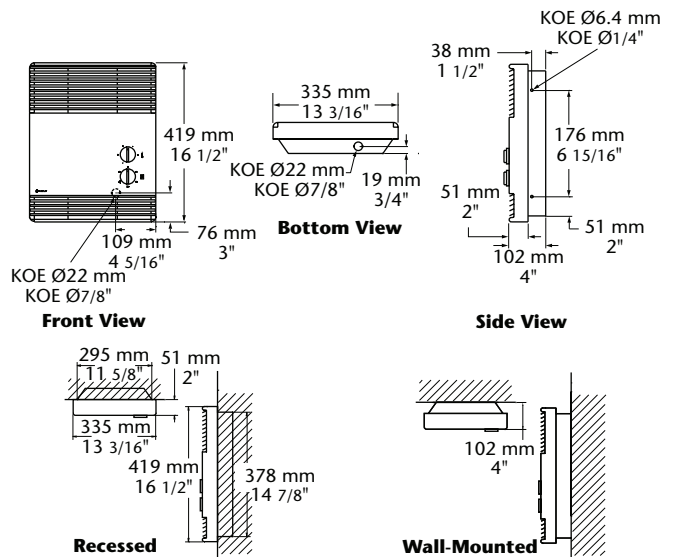
¹ Requires non pulsing wall-mounted thermostat. Please refer to the Wall Thermostats Reference Chart at the end of the catalog.

Add "BL" for white, "AM" for almond, "SS" for stainless steel.

For almond models with -T or -TM the knobs are black.

For stainless steel models the grilles and the back of the heater are painted black.

Upcharge available for optional colors shown in the color chart section.



OFB Compact Wall Fan Heater



Features

Color

- Standard: white.

Finish

- Standard: epoxy/polyester powder paint.

Voltage

- 120V, 240/208V, 1-phase.

Construction

- 20-gauge steel cabinet.
- Warm air outlet that directs the air downwards, towards the center of the room.
- Bar grille prevents insertion of foreign objects; smooth-finish paint is washable and anti-yellowing.
- Manual de-energize high-limit temperature control.

Fan

- Whisper-quiet squirrel-cage fan.
- Factory-lubricated motor.

Heating element

- Nickel-chromium alloy stitched wire protected by mica insulators.
- Heating element provides instant heat.

Control

- Line voltage control circuit for thermostat, timer or switch (not included, must be compatible with the selected voltage and wattage of the heater).

Note: If an electronic thermostat is used, it must be compatible with forced-air heaters.

Installation

- Recommended installation height: max. 10 ft. (3 m), min. 6 ft. (1.8 m).
- Wattage must be selected at the time of wiring (750W or 1500W).
- Quick surface-mounted installation, with the included mounting bracket.
- Flexible cable with electrical wall box cover plate included.
- Requires installation of a wall electrical box not supplied.

Warranty

- 2-year warranty against defects.
- 5-year warranty on the heating element.

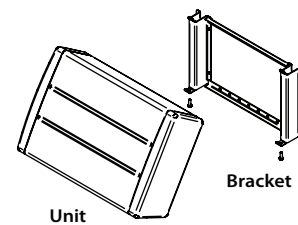
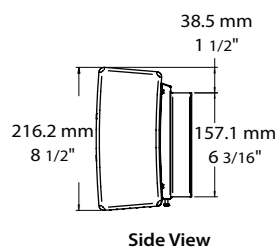
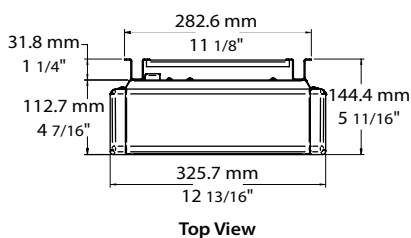
Application

- Bathroom, entrance way, stairwell.

Models

Watts ¹	Volts	Product #	Weight	
			lb	kg
750 1500	120	OFB1502BL	8.1	3.7
750/563 1500/1125	240/208	OFB1500BL	8.1	3.7

¹ Wattage can be selected on site (750W or 1500W). Standard color is white.



OVOS

Stylish Wall Fan Heater



Features

Color

- Standard: white.

Finish

- Standard: epoxy/polyester powder paint.

Voltage

- 120V, 208V, 240/208V, 1-phase.

Construction

- 22-gauge steel cabinet, 20-gauge steel grille.
- High-limit temperature control with manual reset.
- Additional one-time thermal fuse.

Fan

- Quiet fan.

Heating element

- Nichrome heating element provides instant heat.

Control

- Built-in electronic thermostat (-TH models).
- Wall thermostat (not included, the use of an electronic thermostat is strongly recommended).

Note: If an electronic wall-mounted thermostat is used, it must be compatible with forced-air heaters.

- Controls located at the top of the unit.

Installation

- 6 in. (150 mm) minimum clearance to floor or any adjacent surfaces.
- May be recessed or surface-mounted with optional surface mounting box.
- Quick and easy installation easily retrofits most popular models.
- Wattage can be selected onsite for models without control only.

Warranty

- 5-year warranty, (3-year on electronic components).

Application

- Kitchen, family room, bathroom (model with timer and thermostat), entrance way, office.

Volts	Product # Without thermostat ²	Watts ¹	BTU/hr	Product # Built-in electronic thermostat	Watts	BTU/hr	Weight	
							lb	kg
120	OVOSU1002BL	1000 or 500	3413 or 1706	OVOSU1002BL-TH	1000	3413	7.2	3.3
120	OVOSU1502BL	1500 or 750	5119 or 2560	OVOSU1502BL-TH	1500	5119	7.2	3.3
208	OVOSU1008BL	1000 or 500	3413 or 1706	OVOSU1008BL-TH	1000	3413	7.2	3.3
208	OVOSU1508BL	1500 or 750	5119 or 2560	OVOSU1508BL-TH	1500	5119	7.2	3.3
240/208	OVOSU1000BL	1000/750 or 500/375	3413/2560 or 1706/1280	OVOSU1000BL-TH	1000/750	3413/2560	7.2	3.3
240/208	OVOSU1500BL	1500/1125 or 750/560	5119/3839 or 2560/1911	OVOSU1500BL-TH	1500/1125	5119/3839	7.2	3.3

Options

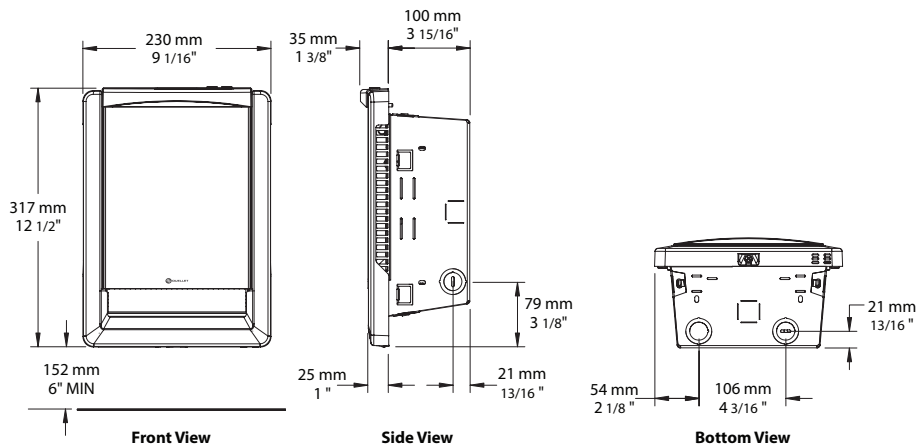
Product # Kit	Description
KIT-OVO-BB6	Back box (6 pack)
KIT-OVO-BSBL	Surface mounting box

Standard color is white.

Add -SBE after BL for unit without back box. (Available for United States market only.)

¹ Wattage can be selected onsite.

² Requires non pulsing wall-mounted thermostat. Please refer to the Wall Thermostats Reference Chart at the end of the catalog.



OVO Residential Wall Fan Heater



Features

Color

- Standard: white.

Finish

- Standard: epoxy/polyester powder paint.

Voltage

- 120V, 208V, 240/208V, 1-phase.

Construction

- 22-gauge steel cabinet, 20-gauge steel grille.
- High-limit temperature control with manual reset.
- Additional one-time thermal fuse.

Fan

- Quiet fan.

Heating element

- Nichrome heating element provides instant heat.

Control

- Built-in double-pole thermostat (-T2 models).
- Built-in double-pole thermostat and timer (-T2M models).
- Built-in thermostat kit available.
- Wall thermostat (not included, the use of an electronic thermostat is strongly recommended).

Note: If an electronic wall-mounted thermostat is used, it must be compatible with forced-air heaters.

- Controls located at the top of the unit.

Installation

- 6 in. (150 mm) minimum clearance to floor or any adjacent surfaces.
- May be recessed or surface-mounted with optional surface mounting box.
- Quick and easy installation easily retrofits most popular models.
- Wattage can be selected onsite.

Warranty

- 5-year warranty.

Application

- Kitchen, family room, bathroom (model with timer and thermostat), entrance way, office.

Models

Watts ¹	Volts	Product # Without thermostat ²	Product # Built-in thermostat	Product # Built-in thermostat and timer	BTU/hr	Weight	
						lb	kg
1000 or 500	120	OVOU1002BL	OVOU1002BL-T2	OVOU1002BL-T2M	3413 or 1706	7.4	3.4
1500 or 750	120	OVOU1502BL	OVOU1502BL-T2	OVOU1502BL-T2M	5119 or 2560	7.4	3.4
1000 or 500	208	OVOU1008BL	OVOU1008BL-T2	OVOU1008BL-T2M	3413 or 1706	7.4	3.4
2000 or 1000	208	OVOU2008BL	OVOU2008BL-T2	OVOU2008BL-T2M	6825 or 3413	7.4	3.4
1000/750 or 500/375	240/208	OVOU1000BL	OVOU1000BL-T2	OVOU1000BL-T2M	3413/2560 or 1706/1280	7.4	3.4
1500/1125 or 750/560	240/208	OVOU1500BL	OVOU1500BL-T2	OVOU1500BL-T2M	5119/3839 or 2560/1911	7.4	3.4
2000/1500 or 1000/750	240/208	OVOU2000BL	OVOU2000BL-T2	OVOU2000BL-T2M	6825/5119 or 3413/2560	7.4	3.4

Options

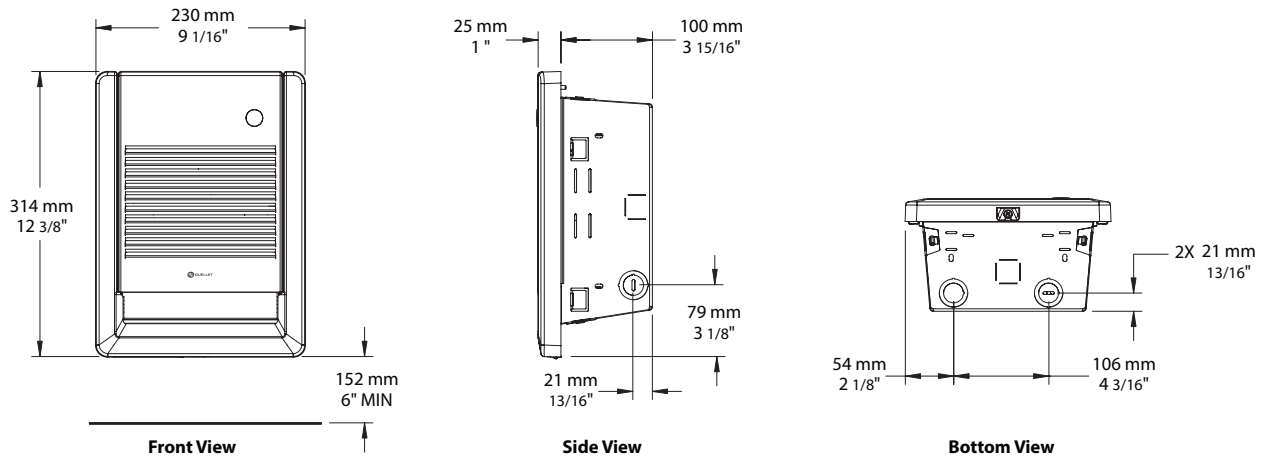
Product # Kit	Description
KIT-OVO-BB6	Back box (6 pack)
KIT-OVO-BSBL	Surface mounting box
KIT-OVO-T1BL	Single-pole thermostat, 120V-600V
KIT-OVO-T2BL	Double-pole thermostat, 120V-277V

Standard color is white.

Add -SBE after BL for unit without back box. (Available for United States market only.)

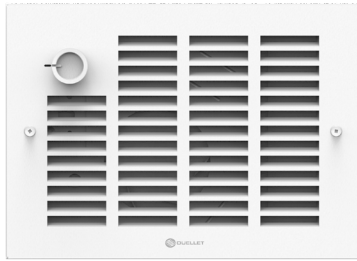
¹ Wattage can be selected onsite.

² Requires non pulsing wall-mounted thermostat. Please refer to the Wall Thermostats Reference Chart at the end of the catalog.



OVOH

Horizontal Wall Fan Heater



Features

Color

- Standard: white.

Finish

- Standard: epoxy/polyester powder paint.

Voltage

- 120V, 208V, 240/208V, 1-phase.

Construction

- 22-gauge steel cabinet, 20-gauge steel grille.
- High-limit temperature control with manual reset.
- Additional one-time thermal fuse.

Fan

- Quiet fan.

Heating element

- Nichrome heating element provides instant heat.

Control

- Built-in double-pole thermostat (-T2 models).
- Wall thermostat (not included, the use of an electronic thermostat is strongly recommended).

Note: If an electronic wall-mounted thermostat is used, it must be compatible with forced-air heaters.

- Controls located at the top of the unit.

Installation

- 6 in. (150 mm) minimum clearance to floor or any adjacent surfaces.
- 6 in. (150 mm) minimum clearance from ceiling.
- Recessed only.
- Quick and easy installation easily retrofits most popular models.
- Wattage can be selected onsite.

Warranty

- 5-year warranty.

Application

- Hallway, lobby, living room, kitchen, bedroom, office.

Models

Watts ¹	Volts	Product # Without thermostat ²	Product # Built-in thermostat	BTU/hr	Weight	
					lb	kg
1000 or 500	120	OVOHU1002BL	OVOHU1002BL-T2	3413 or 1706	7.3	3.3
1500 or 750	120	OVOHU1502BL	OVOHU1502BL-T2	5119 or 2560	7.3	3.3
1000 or 500	208	OVOHU1008BL	OVOHU1008BL-T2	3413 or 1706	7.3	3.3
2000 or 1000	208	OVOHU2008BL	OVOHU2008BL-T2	6825 or 3413	7.3	3.3
1000/750 or 500/375	240/208	OVOHU1000BL	OVOHU1000BL-T2	3413/2560 or 1706/1280	7.3	3.3
1500/1125 or 750/560	240/208	OVOHU1500BL	OVOHU1500BL-T2	5119/3839 or 2560/1911	7.3	3.3
2000/1500 or 1000/750	240/208	OVOHU2000BL	OVOHU2000BL-T2	6825/5119 or 3413/2560	7.3	3.3

Option

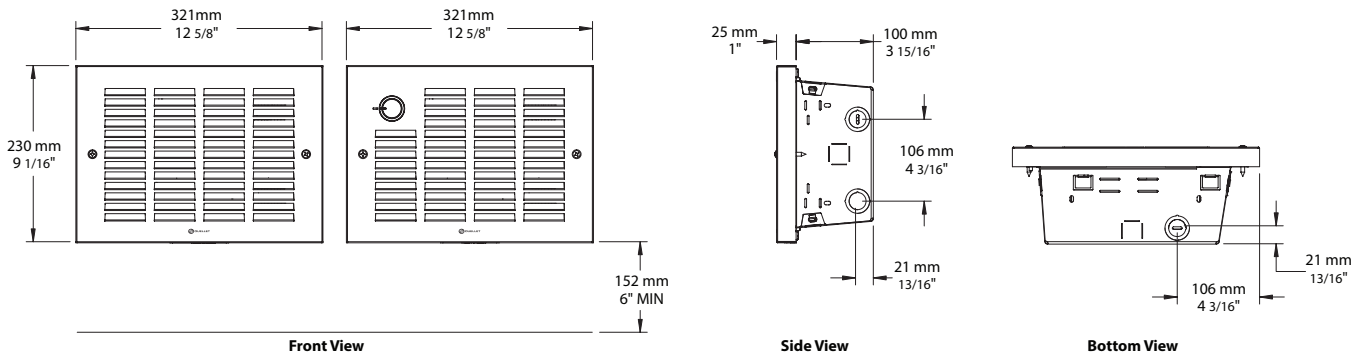
Product # Kit	Description
KIT-OVO-BB6	Back box (6 pack)

Standard color is white.

Add -SBE after BL for unit without back box. (Available for United States market only.)

¹ Wattage can be selected onsite.

² Requires non pulsing wall-mounted thermostat. Please refer to the Wall Thermostats Reference Chart at the end of the catalog.





With Surface Mounting Box

Recessed



Features

Color

- Standard: white, almond.
- Optional (upcharge applicable): metallic silver, bronze, metallic charcoal, aluminum, semi-gloss black, sand.
- Custom colors available upon request.

Finish

- Standard: epoxy/polyester powder paint.

Voltage

- 120V, 208V, 240/208V, 1-phase.

Construction

- 20-gauge steel cabinet.
- 22-gauge steel front cover.
- High-limit temperature control with automatic reset.

Fan

- Quiet fan operating.
- 500W to 1000W; 40 cfm fan and 1250W to 2000W; 80 cfm fan.
- Factory-lubricated motor.

Heating element

- Durable tubular heating element with fins.
- Factory sealed element upon request.

Control

- Built-in thermostat available with a control knob or tamperproof.

Note: If an electronic thermostat is used, it must be compatible with forced-air heaters.

Installation

- Wall installation only.
- The air outlet should be installed at least 4 in. (102 mm) from flooring withstands temperature and 10 in. (254 mm) from linoleum flooring.
- Quick installation with recess box mounting holes.
- Large wiring compartment.
- May be recessed in 2 in. X 3 in. stud partitions.
- Surface mounting box available.
- Tight fit with V-shaped recess box.

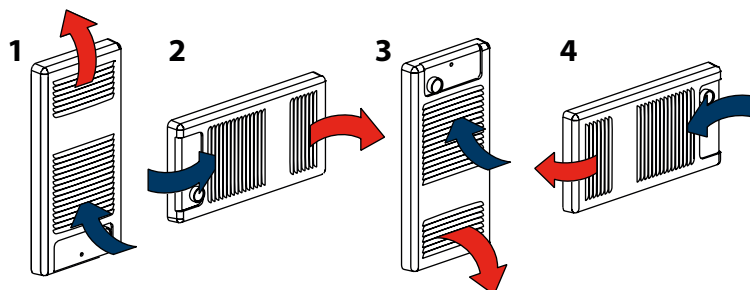
Warranty

- 5-year warranty against defects.

Application

- Entrance way, kitchen, bathroom, family room, basement.

Four mounting positions available. Pictures showing front panel. Directional vane air flow.



Models

Product #	Volts	Watts	Weight	
			lb	kg
OVSU0502	120	500	9.0	4.1
OVSU0752	120	750	9.0	4.1
OVSU1002	120	1000	9.0	4.1
OVSU1252	120	1250	9.0	4.1
OVSU1502	120	1500	9.0	4.1
OVSU0500	240/208	500/375	9.0	4.1
OVSU0750	240/208	750/563	9.0	4.1
OVSU1000	240/208	1000/750	9.0	4.1
OVSU1250	240/208	1250/938	9.0	4.1
OVSU1500	240/208	1500/1125	9.0	4.1
OVSU2000	240/208	2000/1500	9.0	4.1
OVSU2008	208	2000	9.0	4.1

Options

Product # Kit	Product # Factory installed*	Description
KIT-OVS-BS	-	Surface mounting box
KIT-OVS-DIS ¹	DIS ¹	Disconnect switch, 20A at 277V max. (120V, 208V, 240/208V only)
-	ES ²	Factory sealed element (120V, 208V, 240/208V only)
KIT-OVS-TB6	TB6	Single-pole bi-metal thermostat (347V factory installed only)
KIT-OVS-TB26 ³	TB26 ³	Double-pole bi-metal thermostat (347V factory installed only)
KIT-OVS-TB6-AV	TB6AV	Single-pole bi-metal tamperproof thermostat (347V factory installed only)
KIT-OVS-TB26-AV ³	TB26AV ³	Double-pole bi-metal tamperproof thermostat (347V factory installed only)

* For factory installed options, add the option number to the product number. See the **Product Code** section inside the front cover.

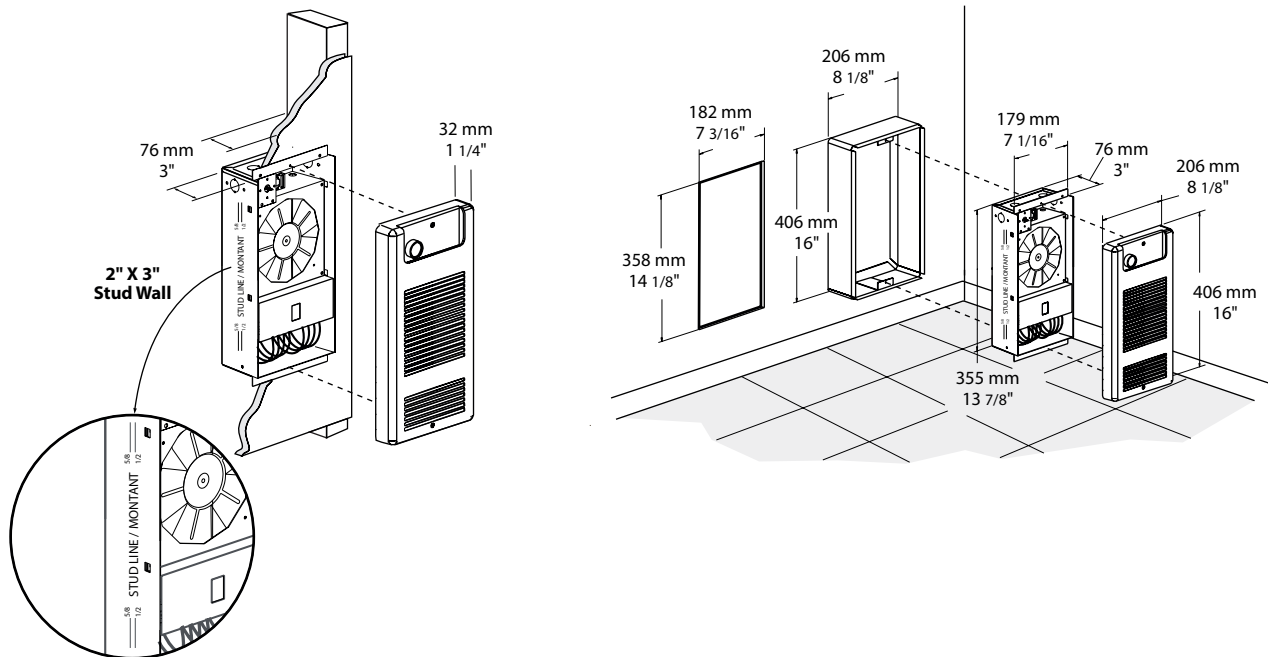
¹ For the U.S. only; The nominal current of the unit must not exceed 80% of the capacity of the disconnect.

² The option "sealed element" increases the reliability of these in humid environments. It does not completely eliminate the leakage currents of metal sheathed heating elements.

³ "Off" position.

Add "BL" for white, "AM" for almond.

Optional colors shown in the color chart section are available upon request.



OVR Register Wall Fan Heater



With Surface Mounting Box and Thermostat

Recessed with Thermostat



Features

Color

- Standard: white, almond.
- Optional (upcharge applicable): metallic silver, bronze, metallic charcoal, aluminum, semi-gloss black, sand.
- Custom colors available upon request.

Finish

- Standard: epoxy/polyester powder paint.

Voltage

- 120V, 208V, 240/208V, 1-phase.

Construction

- 20-gauge steel.
- High-limit temperature control with automatic reset.

Fan

- Quiet fan operating.
- 500W to 1000W; 40 cfm fan and 1250W to 2000W; 80 cfm fan.
- Factory-lubricated motor.

Heating element

- Durable tubular heating element with fins.
- Factory sealed element upon request.

Control

- Built-in thermostat available with a control knob or tamperproof.

Note: If an electronic thermostat is used, it must be compatible with forced-air heaters.

Installation

- The air outlet should be installed at least 10 in. (25.4 cm) above floor.
- Quick installation with recess box mounting holes.
- Large wiring compartment.
- May be recessed in 2 in. x 3 in. stud partitions.
- Surface mounting box available.
- Tight fit with V-shaped recess box.

Warranty

- 5-year warranty against defects.

Application

- Entrance way, kitchen, bathroom, family room, basement.

OVR Models

Product #	Volts	Watts	Weight	
			lb	kg
OVRU0502	120	500	9.0	4.1
OVRU0752	120	750	9.0	4.1
OVRU1002	120	1000	9.0	4.1
OVRU1252	120	1250	9.0	4.1
OVRU1502	120	1500	9.0	4.1
OVRU0500	240/208	500/375	9.0	4.1
OVRU0750	240/208	750/563	9.0	4.1
OVRU1000	240/208	1000/750	9.0	4.1
OVRU1250	240/208	1250/938	9.0	4.1
OVRU1500	240/208	1500/1125	9.0	4.1
OVRU2000	240/208	2000/1500	9.0	4.1
OVRU2008	208	2000	9.0	4.1

Options

Product # Kit	Product # Factory installed*	Description
KIT-OVR-BS	-	Surface mounting box
KIT-OVR-DIS ³	DIS ³	Disconnect switch, 20A at 277V max.
-	ES ¹	With sealed element factory installed
KIT-OVR-TB6	TB6	Single-pole bi-metal thermostat
KIT-OVR-TB26 ²	TB26 ²	Double-pole bi-metal thermostat
KIT-OVR-TB6-AV	TB6AV	Single-pole bi-metal thermostat, tamperproof
KIT-OVR-TB26-AV ²	TB26AV ²	Double-pole bi-metal thermostat, tamperproof

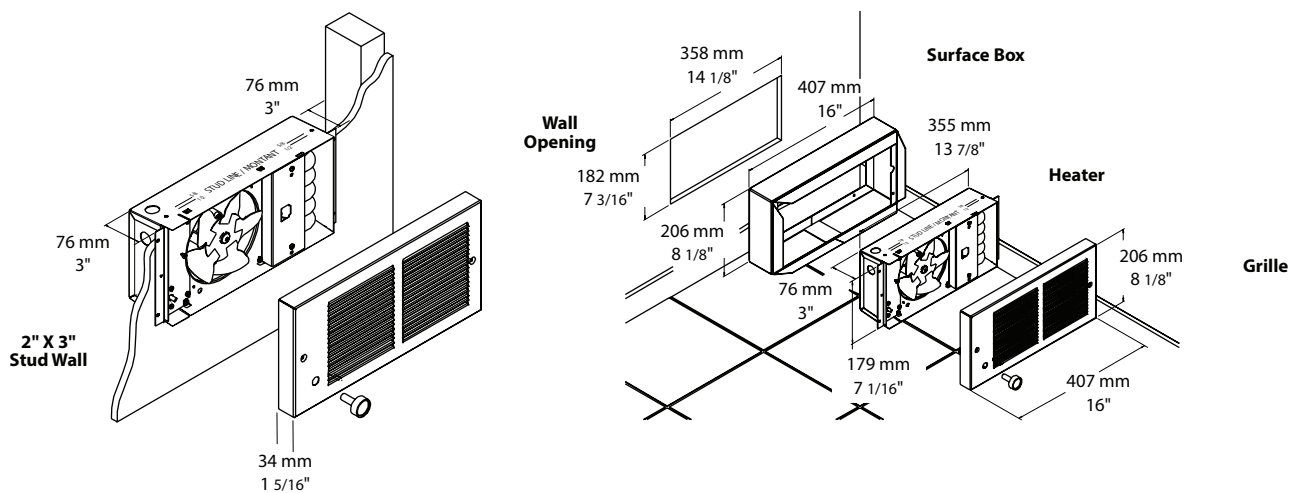
* For factory installed options, add the option number to the product number. See the Product Code section inside the front cover.

¹ The option "sealed element" increases the reliability of these in humid environments. It does not completely eliminate the leakage currents of metal sheathed heating elements.

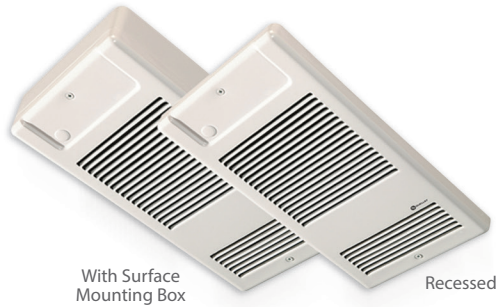
² "Off" position.

³ For the U.S. only: The nominal current of the unit must not exceed 80% of the capacity of the disconnect.
Add "BL" for white, "AM" for almond.

Upcharge available for optional colors shown in the color chart section.



OVSP Residential Ceiling Fan Heater



With Surface Mounting Box

Recessed

Features

Color

- Standard: white, almond.
- Optional (upcharge applicable): metallic silver, bronze, metallic charcoal, aluminum, semi-gloss black, sand.
- Custom colors available upon request.

Finish

- Standard: epoxy/polyester powder paint.

Voltage

- 120, 240/208V, 1-phase.

Construction

- 20-gauge steel cabinet.
- 22-gauge steel front cover.
- High-limit temperature control with automatic reset.

Fan

- Quiet fan operating.
- 500W to 1000W; 40 cfm fan and 1250W to 1500W; 80 cfm fan.
- Factory-lubricated motor.

Heating element

- Durable tubular heating element with fins.
- Factory sealed element upon request.

Control

- Must be used with a compatible wall thermostat (not included).

Note: If an electronic thermostat is used, it must be compatible with forced-air heaters.

Installation

- Ceiling installation only.
- The air outlet should be installed at least 10 in. (25.4 cm) from the wall and should be oriented towards the center of the room.
- Quick installation with recess box mounting holes.
- Large wiring compartment.
- May be recessed in ceiling.
- Surface mounting box available.
- Tight fit with V-shaped recess box.

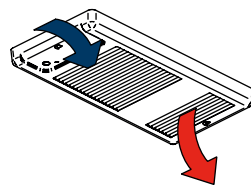
Warranty

- 5-year warranty against defects.

Application

- Entrance way, stairwell, bathroom, family room, basement.

Mounting positions available. Pictures showing front panel. Directional vane air flow.



Models

Watts	Watts 240/208V	Product #		Weight	
		120V	240/208V	lb	kg
500	500/375	OVSPU0502	OVSPU0500	9.0	4.1
750	750/563	OVSPU0752	OVSPU0750	9.0	4.1
1000	1000/750	OVSPU1002	OVSPU1000	9.0	4.1
1250	1250/938	OVSPU1252	OVSPU1250	9.0	4.1
1500	1500/1125	OVSPU1502	OVSPU1500	9.0	4.1

Options

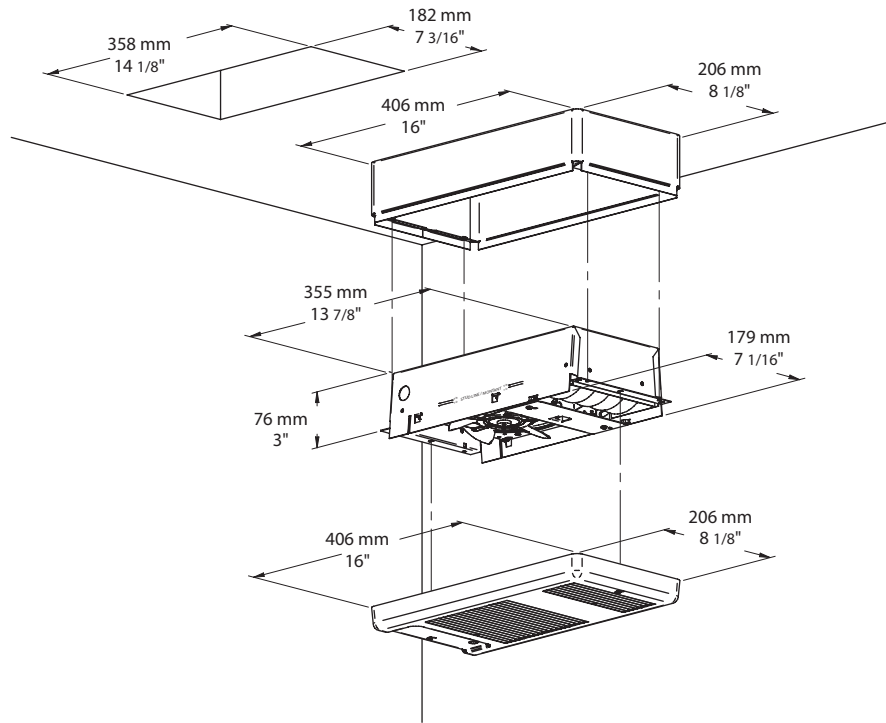
Product # Kit	Product # Factory installed [*]	Description
KIT-OVS-BS	-	Surface mounting box
KIT-OVS-DIS ¹	DIS ¹	Disconnect switch, 20A at 277V max.
-	ES ²	Factory sealed element

^{*} For factory installed options, add the option number to the product number. See the **Product Code** section inside the front cover.

¹ For the U.S. only: The nominal current of the unit must not exceed 80% of the capacity of the disconnect.

² The option "sealed element" increases the reliability of these in humid environments. It does not completely eliminate the leakage currents of metal sheathed heating elements. Add "BL" for white, "AM" for almond.

Optional colors shown in the color chart section are available upon request.



OCP Kickspace Fan Heater



Features

Color

- Standard: semi-gloss black, white, almond.
- Optional (upcharge applicable): metallic silver, bronze, metallic charcoal, aluminum, sand.
- Custom colors available upon request.

Finish

- Standard: epoxy/polyester powder paint.

Voltage

- 120V, 240/208V, 1-phase.

Construction

- 20-gauge steel.
- 1000W standard. Wattage can be converted to 500W at the time of wiring (see installation instructions).
- High-limit temperature control with automatic reset (first level).
- High-limit temperature control with manual reset (second level).

Fan

- 80 cfm fan (44.5 dBA).
- Factory-lubricated motor.

Heating element

- Two elements of 500W (1000W in parallel).
- Durable tubular heating element with fins.

Control

- Built-in thermostat kit available.

Note: If an electronic thermostat is used, it must be compatible with forced-air heaters.

Installation

- Do not install the heater near thermosensitive materials.
- Trim frame included.

Warranty

- 1-year warranty against defects.

Application

- Kitchen, bathroom, recessed in stair risers.

Models

Product #	Volts	Watts	Weight	
			lb	kg
OCPU1002	120	500 1000	13.0	5.9
OCPU1000	240/208	500/375 1000/750	13.0	5.9

Options

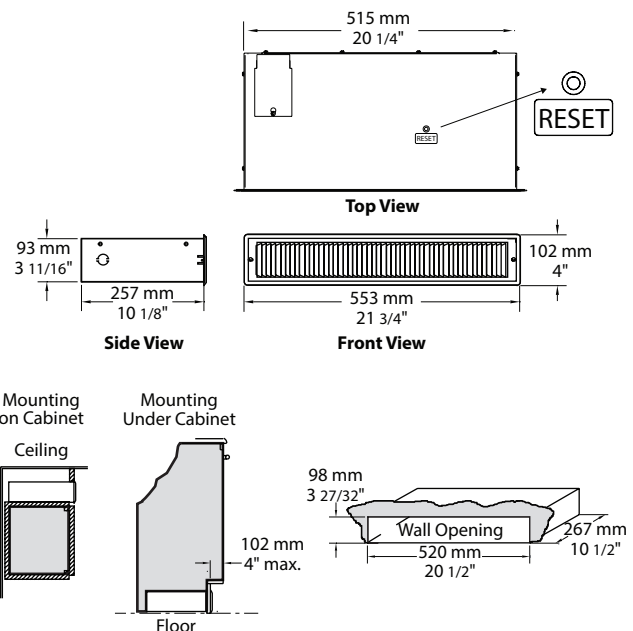
Product # Kit	Product # Factory installed*	Description
KIT-OCP-TB6	TB6	Single-pole bi-metal thermostat
KIT-OCP-TB26 ¹	TB26 ¹	Double-pole bi-metal thermostat

* For factory installed options, add the option number to the product number. See the **Product Code** section inside the front cover.

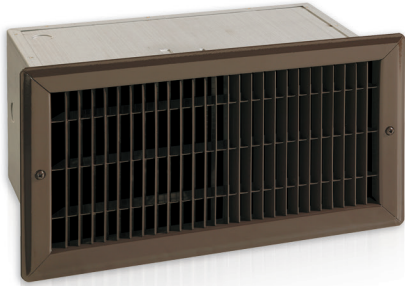
¹ "Off" position.

Add "NL" for semi-gloss black, "BL" for white, "AM" for almond.

Upcharge available for optional colors shown in the color chart section.



OFH Floor Insert Fan Heater



Features

Color

- Standard: bronze, white, almond.
- Optional (upcharge applicable): metallic silver, metallic charcoal, aluminum, semi-gloss black, sand.
- Custom colors available upon request.

Finish

- Standard: epoxy/polyester powder paint.

Voltage

- 120V, 240/208V, 1-phase.

Construction

- Welded 20-gauge steel.
- Sturdy floor grille (14-gauge).
- Protective screen keeps foreign objects from falling into the unit.
- High-limit temperature control with manual reset.

Fan

- Large diameter, quiet fan operating at 43.9 dBA at 80 cfm.
- Factory-lubricated motor.

Heating element

- Durable tubular heating element with fins.

Installation

- Minimum clearance from adjacent walls: 6 in. (15.2 cm).
- Large wiring compartment.

Warranty

- 1-year warranty against defects.

Application

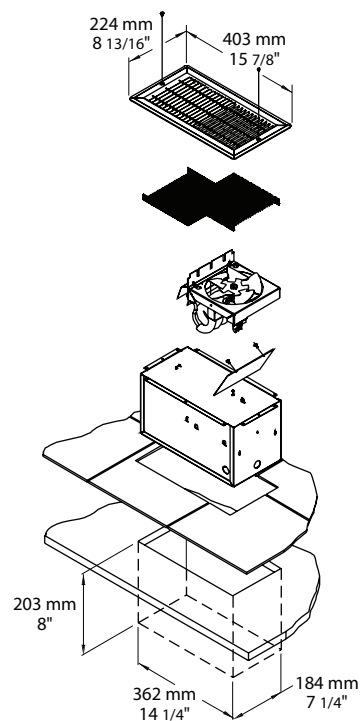
- Bay window, near patio door.

Note: If an electronic thermostat is used, it must be compatible with forced-air heaters.

Models

Product #	Volts	Watts	Weight	
			lb	kg
OFH0502	120	500	16.0	7.3
OFH1002	120	1000	16.0	7.3
OFH1502	120	1500	16.0	7.3
OFH0500	240/208	500/375	16.0	7.3
OFH1000	240/208	1000/750	16.0	7.3
OFH1500	240/208	1500/1125	16.0	7.3

Add "BZ" for bronze, "BL" for white, "AM" for almond.
Optional colors shown in the color chart section are available upon request.



OFFE-A Advantage Electric Furnace



Features

Color

- Standard: grey.

Voltage

- 240/208V, 1-phase.

Construction

- Steel casing, all insulated for reduced heat loss and noise.
- Dual access panels on casing provide easy access to internal parts.

Fan

- High quality precision balanced blower for quiet operation and optimal performance.

Motor

- Variable speed electronically commutated motor (ECM), permanently lubricated.
- Rubber mounted for maximum vibration and noise reduction.
- Relay and printed circuit board (PCB) control automatic operation of motor and allow for the addition of air conditioning or heat pump.

Heating element

- Heavy duty, reliable 4kW and 5kW helical coil nickel-chromium alloy wire provide superior heat transfer with unrestricted air flow.
- Heating elements can be individually replaced.
- High-limit temperature control with automatic reset.

- Heating element sequence is done by a low voltage printed circuit boards with rectifier/timers to prevent power surges.

Control

- Heavy duty 24VAC transformer provides power to relays and controls.
- Easy access built-in breakers with manual reset.
- Thermostat "On" light indicates a call for heat by the thermostat.
- "Speed Selector" switch: "Low" or "High".
- "Fan Selector" switch: "On" or "Off".
- Compatible with 1 or 2-stage thermostat with or without external unit.
- A 120V terminal block also permits installation of accessories such as humidifier and electronic filter (maximum 2A).

Installation

- Multi-position installation, sides, back, or bottom air returns.
- Approved for zero clearance installation against combustible surfaces.

Warranty

- 5-year warranty against defects.

Application

- For cottages, homes or offices, also approved for mobile homes use. May be installed in a basement, closet, crawl space or any unused area or alcove.

OFE-A

Models with Variable Speed Motor (ECM)

Product #	Volts (1 ph) 2 wires	kW (BTU/hr)	Amp. including motor	Motor HP	Motor Speed	Weight	
						lb	kg
OFEA10000-VV	240/208	10.0 (34120)/7.5 (25628)	43.7/38.6	1/2	Variable	105	48
OFEA15000-VV	240/208	15.0 (51180)/11.3 (38442)	64.4/56.5	1/2	Variable	105	48
OFEA18000-VV	240/208	18.0 (61420)/13.5 (46130)	78.1/68.4	1/2	Variable	105	48
OFEA20000-VV	240/208	20.0 (68240)/15.0 (51256)	85.1/74.5	1/2	Variable	105	48
OFEA23000-1HVV	240/208	23.0 (78480)/17.3 (58944)	101.7/89.6	1	Variable	105	48
OFEA25000-1HVV	240/208	25.0 (85360)/18.8 (64070)	108.7/95.7	1	Variable	105	48
OFEA27000-1HVV ¹	240/208	27.0 (92130)/20.3 (69195)	118.8/104.5	1	Variable	105	48
OFEA30000-1HVV ¹	240/208	30.0 (102432)/22.5 (76884)	129.5/113.7	1	Variable	105	48

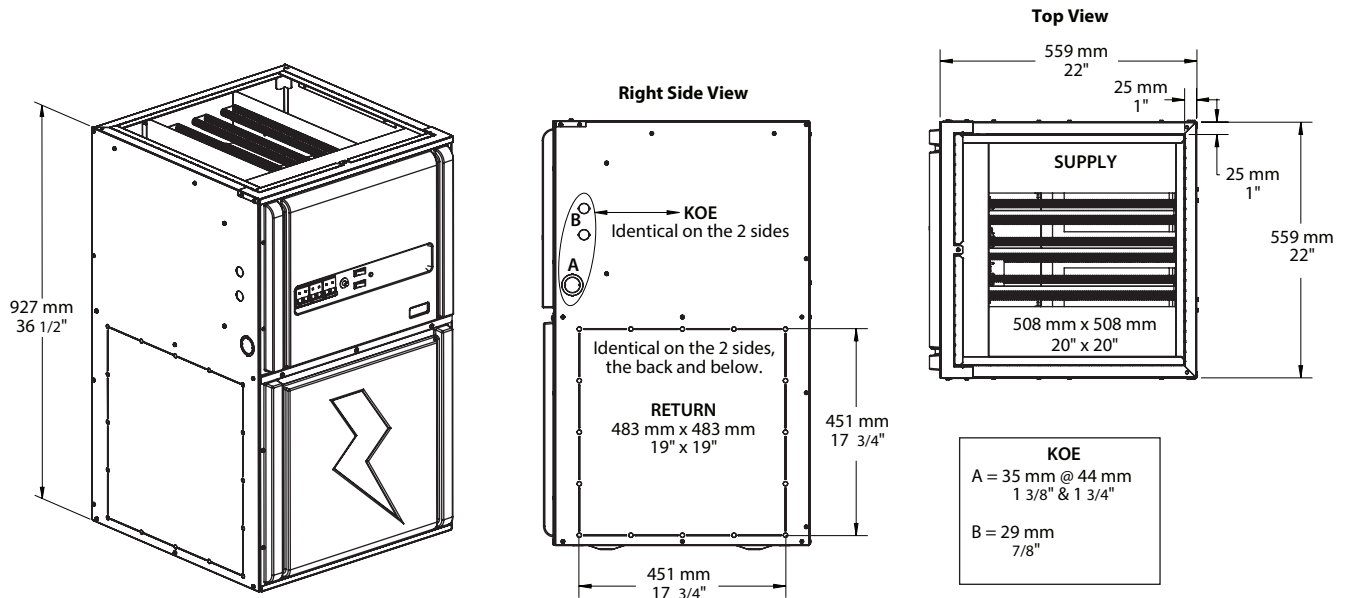
Options

Product # Kit	Description
OFE-SO2	Downflow sub-base
OFE-AK2	Adaptor kit for 17 in. x17 in. duct
OFE-TM	Diagnostic tool for ECM motor

¹ These models come with two supply terminal blocks. It is possible to do a field conversion from two to one supply (requires copper wire). Refer to the installation instructions and owner's manual for details. Standard color is grey.

Wall Controls

Compatible with any low voltage thermostat. See the Wall thermostat reference chart.



OFF-ECM

Energy Efficient Nortron Electric Furnace



NORTRON

Features

Color

- Standard: grey.

Voltage

- 240V, 1-phase.

Construction

- Steel casing, all insulated for reduced heat loss and noise.
- One panel on casing provides access to internal parts.

Fan

- High quality precision balanced blower for quiet operation and optimal performance.

Motor

- Variable speed electronically commutated motor (ECM), permanently lubricated and rubber mounted for maximum vibration and noise reduction.
- Relay and printed circuit board (PCB) control automatic operation of motor and allow for the addition of air conditioning or heat pump.

Heating element

- Heavy duty, reliable Helical coil nickel-chromium alloy wire provide superior heat transfer with unrestricted air flow.
- Heating elements can be individually replaced.
- High-limit temperature control with automatic reset.

- Elements modulation is done by a low voltage printed circuit boards with rectifier/timers to prevent power surges.

Control

- Heavy duty 24VAC transformer provides power to relays and controls.
- Easy access built-in breakers with manual reset (except the 10kW models).
- "Speed Selection" switch: "Low" or "High".
- "Heat Activation" switch: "Slow" or "Fast".
- Compatible with 1 or 2-stage thermostat with or without external unit.

Installation

- Multi-position installation, sides, back, or bottom air returns.
- Approved for zero clearance installation against combustible surfaces.

Warranty

- 5-year warranty against defects.

Application

- For cottages, homes or offices, also approved for mobile homes use. May be installed in a basement, closet, crawl space or any unused area or alcove.

OFF-ECM

Models with Variable Speed Motor (ECM)

Product #	Volts (1 ph) 2 wires	kW (BTU/hr)	Amp. including motor	Motor HP	Static Pressure at 0.2" W.C.		Weight	
					Motor Speed ¹	cfm ²	lb	kg
21ECM10-A	240	10.0 (34152)	43.0	1/3	Low	740	108	50.0
21ECM15-A	240	15.0 (51228)	64.0	1/3	Medium	1040	108	50.0
21ECM18-A	240	18.0 (61473)	76.0	1/3	Medium	1040	110	49.9
21ECM20-A	240	20.0 (68304)	84.0	1/3	Medium	1040	110	49.9
21ECM23-A	240	22.5 (76842)	94.0	1/3	Medium	1040	115	49.9

Option

Product # Kit	Description
FSB1 ³	Downflow sub-base

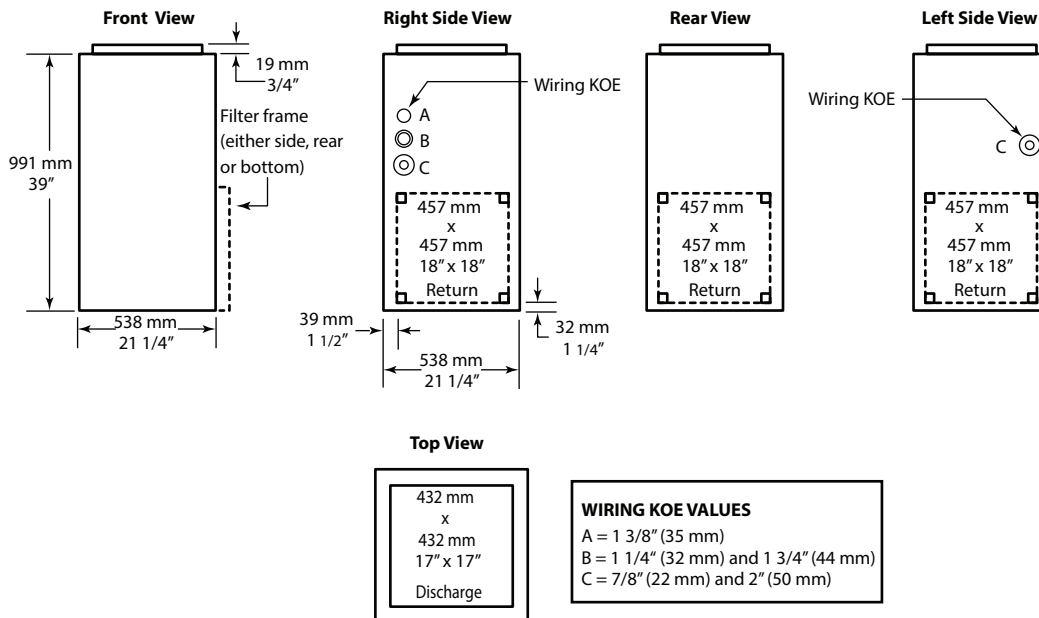
¹ Factory settings.

² Refer to the installation instructions and owner's manual for complete air flow tables.

³ Available with 10kW, 15kW, 18kW and 20kW models.
Standard color is grey.

Wall Controls

Compatible with any low voltage thermostat.



OSAME115R

ERV - Energy Recovery Ventilator with Recirculation



Side Port Model



Top Port Model



CSA-C439-18

Features

Air flow and performance

- Fully adjustable air flow (113 cfm @ 0 in.w.g.).
- 67% sensible recovery effectiveness at 0 °C (32 °F) 30 L/s, 60% sensible recovery effectiveness at -25 °C (-13 °F) 24 L/s.
- Recirculation defrosts.

Voltage

- 120V, 60Hz, 0.8A.

Benefit

- Reduce heating demand in winter and cooling demand in summer.
- Whisper-quiet: factory calibrated and balanced.
- Easy installation and maintenance.
- Designed and manufactured in Canada to operate in variable climatic conditions.

Construction

- Door and housing in corrosion-resistant galvanized steel, 24-gauge, pre-painted neutral white.
- Convenient, screwless hinged door.
- Ultra-thin: 9 in. (229 mm).
- No drain required.
- Lightweight for ease of installation: 37 lb (16.8 kg).
- Port size: 5 in. (127 mm).
- Merv8 charcoal polyester filters. Merv13 filters in option (SA-FI-M13).
- Two configurations to optimize your space: Side Port or Top Port models.
- Reverse air flow configuration available as a factory installed option (-R). For further explanation, please refer to the document Normal and Reverse.
- Foam for ceiling installation for Top Port models only, available as a factory installed option (-F).
- Backdraft damper required on fresh air inlet (not supplied).

Motor

- Energy-efficient, sealed European motor with closed housing and automatic reset thermal protection.
- Balancing without flow keys. 100% electronic adjustment. Pressure ports integrated into the door for precise, easy balancing.

Energy recovery core

- High-efficiency 100% polymer core, extremely durable.
- Recovers both latent and sensible energy. (Heat and Humidity).
- Meets or exceeds ASHRAE 90.1-2010.
- Washable in soapy water to recover its full effectiveness without deterioration or contamination.

- Antimicrobial protection - ISO846.
- Avoid virus transfer - ASTM F-1671 tested.
- Zero crossflow contamination - Certified according to AHRI 1060.
- UL94 HB Flammability tested.

Control/timer

- 2 control choices available:
 - Optional Decora-style wall-mounted control/timer (SA-LT15). INTERMITTENT (20-40) – CONTINUOUS – OFF – Timer (20-40-60 minutes).
 - Optional digital Decora-style wall-mounted control/timer (SA-LCD15). INTERMITTENT (20-40) – CONTINUOUS – Humidity – Recirculation – OFF.

Installation

- Can be ceiling-mounted or suspended.
- Easily installed in the ceiling void or just below the fire-rated ceiling.
- Set of nylon suspension straps included for installation.
- Steel mounting plate for Top Port with foam models only, available as an option (SA-P5R).
- Furnace interconnect plug connector factory installed.

Setting

- Balance the unit using the supplied instruction named: Balancing.
- All the installer needs are the required flow rates, a manometer, and 5 minutes to adjust and balance the system.
- Simply specify the air flow rates for LOW SPEED and HIGH SPEED.
- The static pressure of the system should ideally be less than or equal to the static pressure indicated by the graph for HIGH SPEED.
- You don't have to worry about static pressure to limit air flow or adding flow keys as other devices. All you must do is provide ducting that doesn't limit maximum flow, and the unit's adjustments will allow you to fine-tune flow rates.

Warranty

- Motor 5-year. Other parts except filters and pre-filters 1-year.

Application

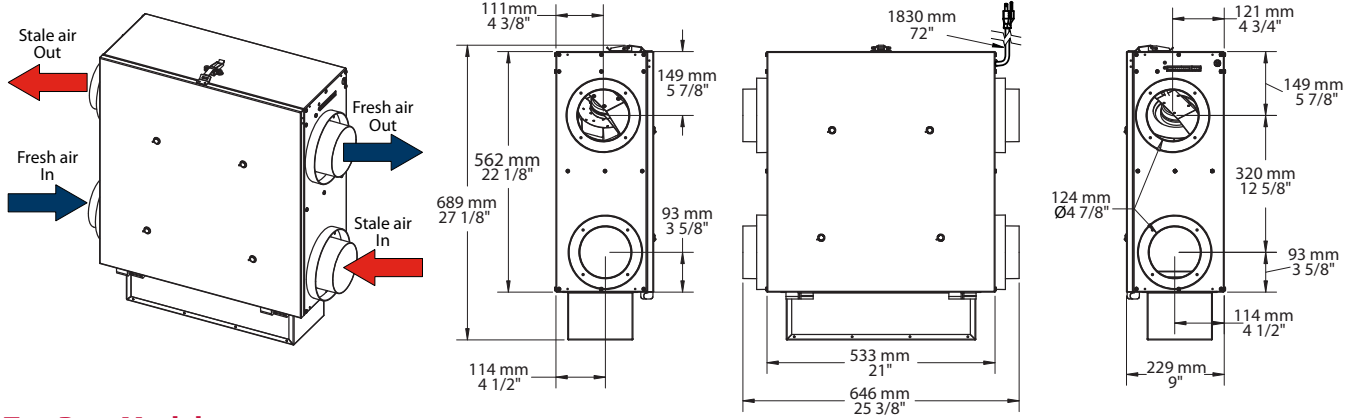
- The ideal solution for high-rise apartments and small to medium-size homes.
- Purifies the air by expelling many pollutants, dust, and allergens to the outside, while ensuring an equivalent supply of fresh air in the home.

Important note

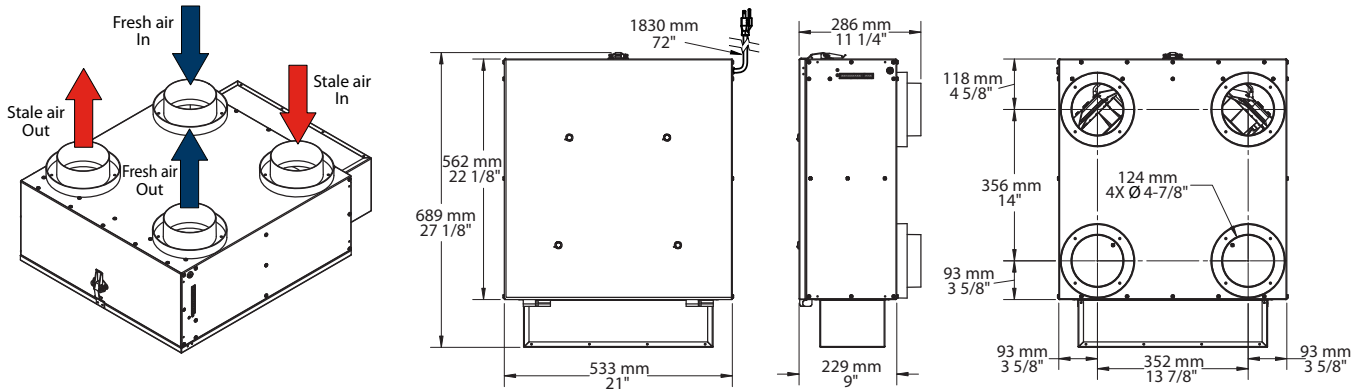
- No controls are included with the purchase of an ERV or HRV. SA-LT15 and SA-LCD15 controls must be purchased separately.

OSAME115R

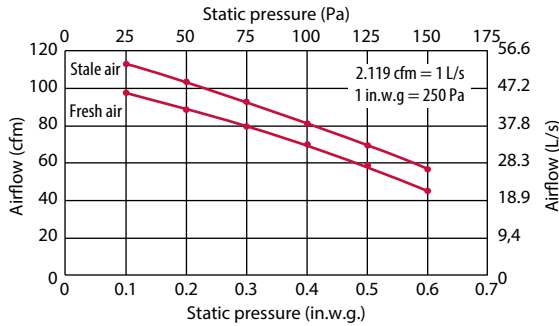
Side Port Model



Top Port Model



ERV OSAME115R - Curves at highest speed



Energy ratings - HVI certified

Supply temperature	Air flow	Power	Sensible recovery (SRE) ¹	Adjusted sensible recovery	Latent recovery / moisture transfer
°C	°F	cfm	L/s	W	%
Heating					
0	32	47	22	34	70
0	32	64	30	40	67
0	32	85	40	54	63
-25	-13	51	24	41	60
Cooling					
			Total recovery efficiency	Adjusted total recovery efficiency	
35	95	47	22	34	53
					56
					51

Models

Product #	cfm	Recirculation	SRE ¹ 0 °C (32 °F) 30 L/s	SRE ¹ -25 °C (-13 °F) 24 L/s	Port in.	Volts	Hertz	Amp.	Weight lb	kg
ERV energy recovery ventilator 113 cfm with recirculation Side Port										
OSAME115RS	113	Yes	67%	60%	5	127	120	60	0.8	37
ERV energy recovery ventilator 113 cfm with recirculation Top Port										
OSAME115RT	113	Yes	67%	60%	5	127	120	60	0.8	37

¹ SRE: Sensible Recovery Effectiveness.

Options

Product # Kit	Product # Factory installed*	Description
-	-F	Foam only for ERV Top Port
-	-R	Reverse air flow
KIT-OSA-INS-5	-	Basic installation kit for ERV and HRV, 5 in. (127 mm) ducts
KIT-SA-FI-115	-	Kit of 2 Merv8 filters for ERV 115R
SA-FI-M13	-	Merv13 filter for ERV 115-115R-150
SA-P5R	-	Steel mounting plate only for ERV 115R Top Port with foam

* For factory installed options, add the option number to the product number. See the Product Code section inside the front cover.

Controls (sold separately)

Product #	Description
SA-LCD15 ²	Digital Decora-style wall-mounted control/timer for residential ERV and HRV
SA-LT15 ²	Decora-style wall-mounted control/timer for residential ERV and HRV

² Must be purchased separately.



OSALE115

ERV - Energy Recovery Ventilator



Side Port Model



Top Port Model



CSA-C439-18

Features

Air flow and performance

- Fully adjustable air flow (113 cfm @ 0 in.w.g.).
- 64% sensible recovery effectiveness at 0 °C (32 °F) 30 L/s.

Voltage

- 120V, 60Hz, 0.8A.

Benefit

- Reduce heating demand in winter and cooling demand in summer.
- Whisper-quiet: factory calibrated and balanced.
- Easy installation and maintenance.
- Designed and manufactured in Canada to operate in variable climatic conditions.

Construction

- Door and housing in corrosion-resistant galvanized steel, 24-gauge, pre-painted neutral white.
- Convenient, screwless hinged door.
- Ultra-thin: 9 in. (229 mm).
- No drain required.
- Lightweight for ease of installation: 32 lb (14.5 kg).
- Port size: 5 in. (127 mm).
- Merv8 charcoal polyester filters. Merv13 filters in option (SA-FI-M13).
- Two configurations to optimize your space: Side Port or Top Port models.
- Reverse air flow configuration available as a factory installed option (-R). For further explanation, please refer to the document Normal and Reverse.
- Foam for ceiling installation for Top Port models only, available as a factory installed option (-F).
- Backdraft damper required on fresh air inlet (not supplied).

Motor

- Energy-efficient, sealed European motor with closed housing and automatic reset thermal protection.
- Balancing without flow keys. 100% electronic adjustment. Pressure ports integrated into the door for precise, easy balancing.

Energy recovery core

- High-efficiency 100% polymer core, extremely durable.
- Recovers both latent and sensible energy. (Heat and Humidity).
- Meets or exceeds ASHRAE 90.1-2010.
- Washable in soapy water to recover its full effectiveness without deterioration or contamination.
- Antimicrobial protection - ISO846.
- Avoid virus transfer - ASTM F-1671 tested.
- Zero cross flow contamination - Certified according to AHRI 1060.
- UL94 HB Flammability tested.

Control/timer

- 2 control choices available:
 - Optional Decora-style wall-mounted control/timer (SA-LT15). INTERMITTENT (20-40) – CONTINUOUS – OFF – Timer (20-40-60 minutes).
 - Optional digital Decora-style wall-mounted control/timer (SA-LCD15). INTERMITTENT (20-40) – CONTINUOUS – Humidity – Recirculation – OFF.

Installation

- Can be ceiling-mounted or suspended.
- Easily installed in the ceiling void or just below the fire-rated ceiling.
- Set of nylon suspension straps included for installation.
- Steel mounting plate for Top Port with foam models only, available as an option (SA-P5).
- Furnace interconnect plug connector factory installed.

Setting

- Balance the unit using the supplied instruction named: Balancing.
- All the installer needs are the required flow rates, a manometer, and 5 minutes to adjust and balance the system.
- Simply specify the air flow rates for LOW SPEED and HIGH SPEED.
- The static pressure of the system should ideally be less than or equal to the static pressure indicated by the graph for HIGH SPEED.
- You don't have to worry about static pressure to limit air flow or adding flow keys as other devices. All you must do is provide ducting that doesn't limit maximum flow, and the unit's adjustments will allow you to fine-tune flow rates.

Warranty

- Motor 5-year. Other parts except filters and pre-filters 1-year.

Application

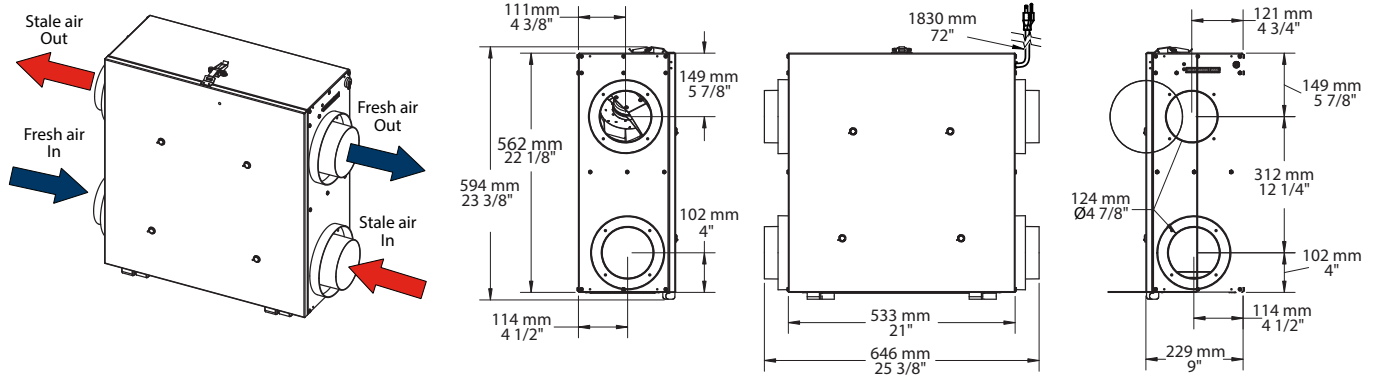
- The ideal solution for high-rise apartments and small to medium-size homes, when regulations do not require unit certification at -25 °C (-13 °F).
- Purifies the air by expelling many pollutants, dust, and allergens to the outside, while ensuring an equivalent supply of fresh air in the home.

Important note

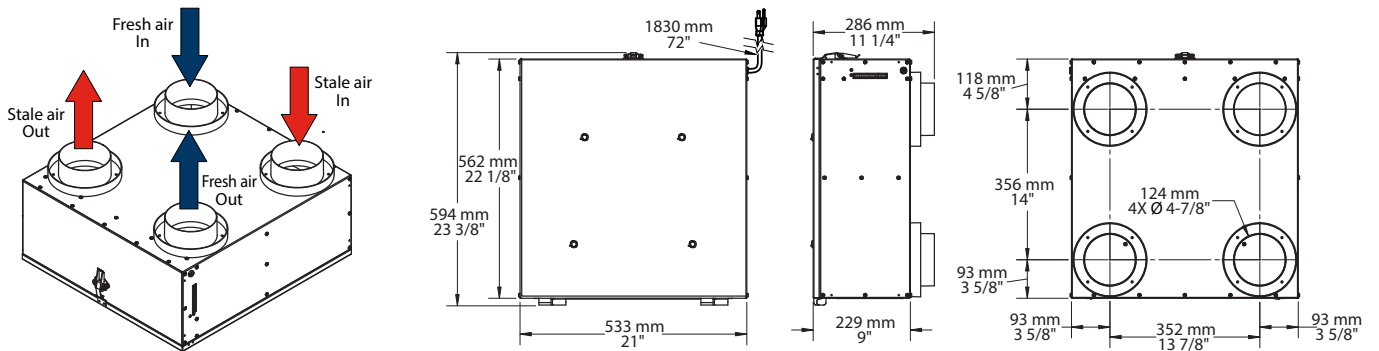
- No controls are included with the purchase of an ERV or HRV. SA-LT15 and SA-LCD15 controls must be purchased separately.

OSALE115

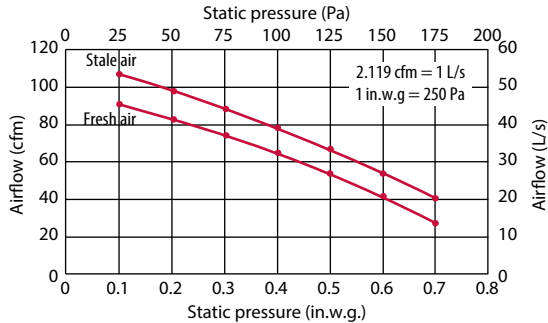
Side Port Model



Top Port Model



ERV OSALE115 - Curves at highest speed



Energy ratings - HVI certified

Supply temperature		Air flow		Power	Sensible recovery (SRE) ¹	Adjusted Sensible Recovery	Latent recovery / moisture transfer
°C	°F	cfm	L/s	W	%	%	%
Heating							
0	32	53	25	33	60	64	52
0	32	64	30	38	64	68	49
0	32	85	40	50	62	66	44
Cooling							
35	95	51	24	34	Total recovery efficiency: 52	Adjusted total recovery efficiency: 55	55

Models

Product #	cfm	Recirculation	SRE ¹		Port		Volts	Hertz	Amp.	Weight	
			0 °C (32 °F) 30 L/s	-25 °C (-13 °F) 24 L/s	in.	mm				lb	kg
ERV energy recovery ventilator 113 cfm Side Port											
OSALE115S	113	No	64%	No	5	127	120	60	0.8	32	14.5
ERV energy recovery ventilator 113 cfm Top Port											
OSALE115T	113	No	64%	No	5	127	120	60	0.8	32	14.5

¹ SRE: Sensible Recovery Effectiveness.

Options

Product # Kit	Product # Factory installed*	Description
-	-F	Foam only for ERV Top Port
-	-R	Reverse air flow
KIT-SA-FI-115	-	Kit of 2 Merv8 filters for ERV 115R
SA-FI-M13	-	Merv13 filter for ERV 115-115R-150
SA-P5	-	Steel mounting plate only for ERV 115-150 Top Port with foam

* For factory installed options, add the option number to the product number. See the Product Code section inside the front cover.

Controls (sold separately)

Product #	Description
SA-LCD15 ²	Digital Decora-style wall-mounted control/timer for residential ERV and HRV
SA-LT15 ²	Decora-style wall-mounted control/timer for residential ERV and HRV

² Must be purchased separately.



OSALE150

ERV - Energy Recovery Ventilator



Side Port Model



Top Port Model



CSA-C439-18

Features

Air flow and performance

- Fully adjustable air flow (150 cfm @ 0 in.w.g.).
- 63% sensible recovery effectiveness at 0 °C (32 °F) 30 L/s.

Voltage

- 120V, 60Hz, 1A.

Benefit

- Reduce heating demand in winter and cooling demand in summer.
- Whisper-quiet: factory calibrated and balanced.
- Easy installation and maintenance.
- Designed and manufactured in Canada to operate in variable climatic conditions.

Construction

- Door and housing in corrosion-resistant galvanized steel, 24-gauge, pre-painted neutral white.
- Convenient, screwless hinged door.
- Ultra-thin: 9 in. (229 mm).
- No drain required.
- Lightweight for ease of installation: 33 lb (15 kg).
- Port size: 5 in. (127 mm).
- Merv8 charcoal polyester filters. Merv13 filters in option (SA-FI-M13).
- Two configurations to optimize your space: Side Port or Top Port models.
- Reverse air flow configuration available as a factory installed option (-R). For further explanation, please refer to the document Normal and Reverse.
- Foam for ceiling installation for Top Port models only, available as a factory installed option (-F).
- Backdraft damper required on fresh air inlet (not supplied).

Motor

- Energy-efficient, sealed European motor with closed housing and automatic reset thermal protection.
- Balancing without flow keys. 100% electronic adjustment. Pressure ports integrated into the door for precise, easy balancing.

Energy recovery core

- High-efficiency 100% polymer core, extremely durable.
- Recovers both latent and sensible energy. (Heat and Humidity).
- Meets or exceeds ASHRAE 90.1-2010.
- Washable in soapy water to recover its full effectiveness without deterioration or contamination.
- Antimicrobial protection - ISO846.
- Avoid virus transfer - ASTM F-1671 tested.
- Zero crossflow contamination - Certified according to AHRI 1060.
- UL94 HB Flammability tested.

Control/timer

- 2 control choices available:
 - Optional Decora-style wall-mounted control/timer (SA-LT15). INTERMITTENT (20-40) – CONTINUOUS – OFF – Timer (20-40-60 minutes).
 - Optional digital Decora-style wall-mounted control/timer (SA-LCD15). INTERMITTENT (20-40) – CONTINUOUS – Humidity – Recirculation – OFF.

Installation

- Can be ceiling-mounted or suspended.
- Easily installed in the ceiling void or just below the fire-rated ceiling.
- Set of nylon suspension straps included for installation.
- Steel mounting plate for Top Port with foam models only, available as an option (SA-P5).
- Furnace interconnect plug connector factory installed.

Setting

- Balance the unit using the supplied instruction named: Balancing.
- All the installer needs are the required flow rates, a manometer, and 5 minutes to adjust and balance the system.
- Simply specify the air flow rates for LOW SPEED and HIGH SPEED.
- The static pressure of the system should ideally be less than or equal to the static pressure indicated by the graph for HIGH SPEED.
- You don't have to worry about static pressure to limit air flow or adding flow keys as other devices. All you must do is provide ducting that doesn't limit maximum flow, and the unit's adjustments will allow you to fine-tune flow rates.

Warranty

- Motor 5-year. Other parts except filters and pre-filters 1-year.

Application

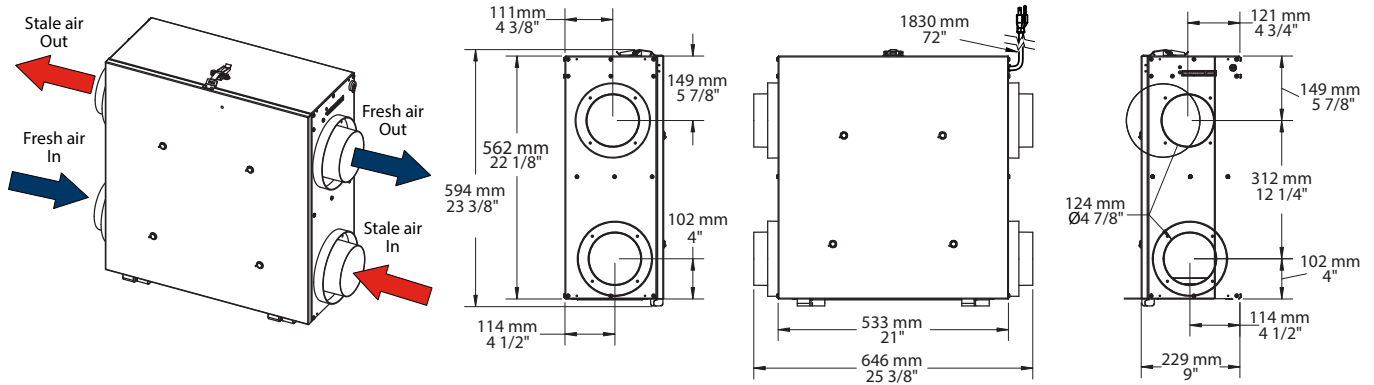
- The ideal solution for high-rise apartments and medium-size homes, when regulations do not require unit certification at -25 °C (-13 °F).
- Purifies the air by expelling many pollutants, dust, and allergens to the outside, while ensuring an equivalent supply of fresh air in the home.

Important note

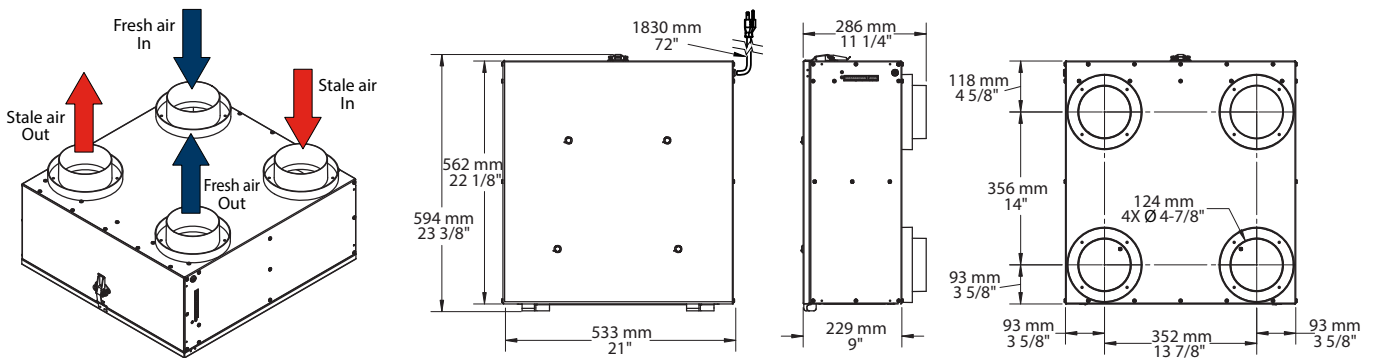
- No controls are included with the purchase of an ERV or HRV. SA-LT15 and SA-LCD15 controls must be purchased separately.

OSALE150

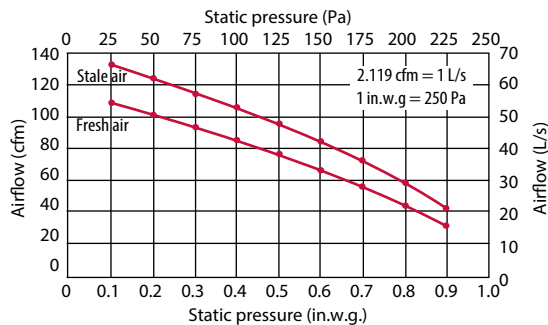
Side Port Model



Top Port Model



ERV OSALE150 - Curves at highest speed



Energy ratings - HVI certified

Supply temperature	Air flow	Power	Sensible recovery (SRE) ¹	Adjusted Sensible Recovery	Latent recovery / moisture transfer
°C	°F	cfm	L/s	%	%
Heating					
0	32	53	25	60	51
0	32	64	30	63	49
0	32	104	49	59	40
Cooling					
			Total recovery efficiency	Adjusted total recovery efficiency	
35	95	53	25	57	49
					53

Models

Product #	cfm	Recirculation	SRE ¹ 0 °C (32 °F) 30 L/s	SRE ¹ -25 °C (-13 °F) 24 L/s	Port in.	mm	Volts	Hertz	Amp.	Weight lb	kg
ERV energy recovery ventilator 150 cfm Side Port											
OSALE150S	150	No	63%	No	5	127	120	60	1	33	15
ERV energy recovery ventilator 150 cfm Top Port											
OSALE150T	150	No	63%	No	5	127	120	60	1	33	15

¹ SRE: Sensible Recovery Effectiveness.

Options

Product # Kit	Product # Factory installed*	Description
-	-F	Foam only for ERV Top Port
-	-R	Reverse air flow
KIT-SA-FI-115	-	Kit of 2 Merv8 filters for ERV 115R
SA-FI-M13	-	Merv13 filter for ERV 115-115R-150
SA-P5	-	Steel mounting plate only for ERV 115-150 Top Port with foam

* For factory installed options, add the option number to the product number. See the Product Code section inside the front cover.

Controls (sold separately)

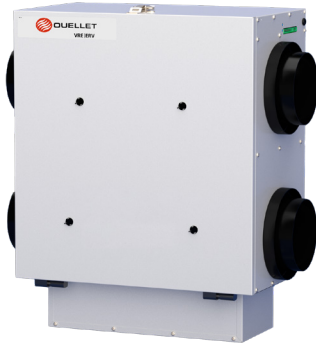
Product #	Description
SA-LCD15 ²	Digital Decora-style wall-mounted control/timer for residential ERV and HRV
SA-LT15 ²	Decora-style wall-mounted control/timer for residential ERV and HRV

² Must be purchased separately.



OSAME 230R

ERV - Energy Recovery Ventilator with Recirculation



Side Port Model



CSA-C439-18



Features

Air flow and performance

- Fully adjustable air flow (230 cfm @ 0 in.w.g.).
- 68% sensible recovery effectiveness at 0 °C (32 °F) 30 L/s, 58% sensible recovery effectiveness at -25 °C (-13 °F) 26 L/s
- Recirculation defrosts.

Voltage

- 120V, 60Hz, 1.1A.

Benefit

- Reduce heating demand in winter and cooling demand in summer.
- Whisper-quiet: factory calibrated and balanced.
- Easy installation and maintenance.
- Designed and manufactured in Canada to operate in variable climatic conditions.

Construction

- Door and housing in corrosion-resistant galvanized steel, 24-gauge, pre-painted neutral white.
- Convenient, screwless hinged door.
- Ultra-thin: 12 in. (305 mm).
- No drain required.
- Lightweight for ease of installation: 43 lb (19.5 kg).
- Port size: 6 in. (152 mm).
- Merv8 charcoal polyester filters.
- Side Port model only.
- Reverse air flow configuration available as a factory installed option (-R).
- For further explanation, please refer to the document Normal and Reverse.
- Backdraft damper required on fresh air inlet (not supplied).

Motor

- Energy-efficient, sealed European motor with closed housing and automatic reset thermal protection.
- Balancing without flow keys. 100% electronic adjustment. Pressure ports integrated into the door for precise, easy balancing.

Energy recovery core

- High-efficiency 100% polymer core, extremely durable.
- Recovers both latent and sensible energy. (Heat and Humidity).
- Meets or exceeds - ASHRAE 90.1-2010.
- Washable in soapy water to recover its full effectiveness without deterioration or contamination.

- Antimicrobial protection - ISO846.
- Avoid virus transfer - ASTM F-1671 tested.
- Zero crossflow contamination - Certified according to AHRI 1060
- UL94 HB Flammability tested.

Control/timer

- 2 control choices available:
 - Optional Decora-style wall-mounted control/timer (SA-LT15). INTERMITTENT (20-40) – CONTINUOUS – OFF – Timer (20-40-60 minutes).
 - Optional digital Decora-style wall-mounted control/timer (SA-LCD15). INTERMITTENT (20-40) – CONTINUOUS – Humidity – Recirculation – OFF.

Installation

- Can be ceiling-mounted or suspended.
- Easily installed in the ceiling void or just below the fire-rated ceiling.
- Set of nylon suspension straps included for installation.
- Furnace interconnect plug connector factory installed.

Setting

- Balance the unit using the supplied instruction named: Balancing.
- All the installer needs are the required flow rates, a manometer, and 5 minutes to adjust and balance the system.
- Simply specify the air flow rates for LOW SPEED and HIGH SPEED.
- The static pressure of the system should ideally be less than or equal to the static pressure indicated by the graph for HIGH SPEED.
- You don't have to worry about static pressure to limit air flow or adding flow keys as other devices. All you must do is provide ducting that doesn't limit maximum flow, and the unit's adjustments will allow you to fine-tune flow rates.

Warranty

- Motor 5-year. Other parts except filters and pre-filters 1-year.

Application

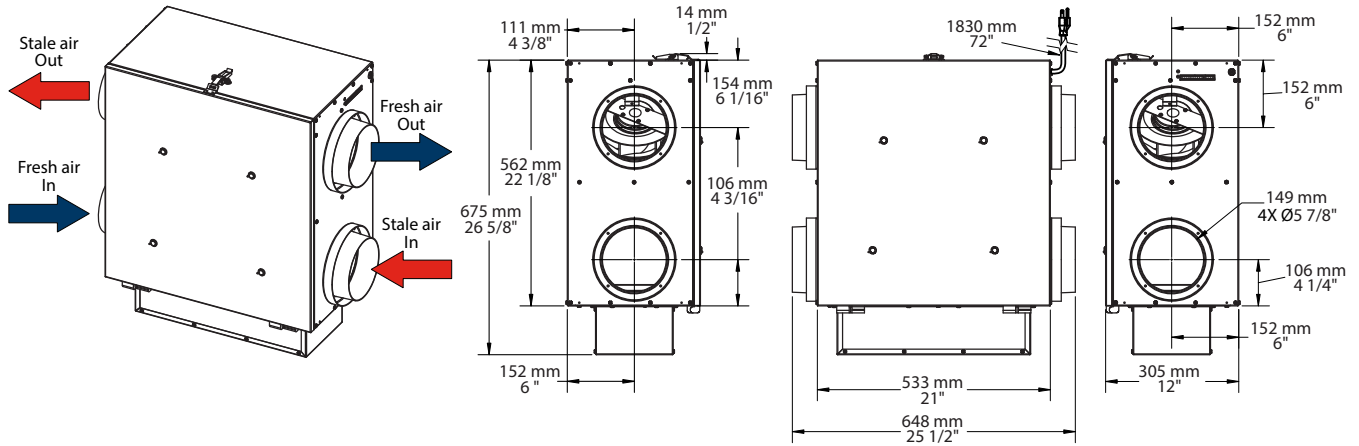
- The ideal solution for high-rise apartments and medium-size homes.
- Purifies the air by expelling many pollutants, dust, and allergens to the outside, while ensuring an equivalent supply of fresh air in the home.

Important note

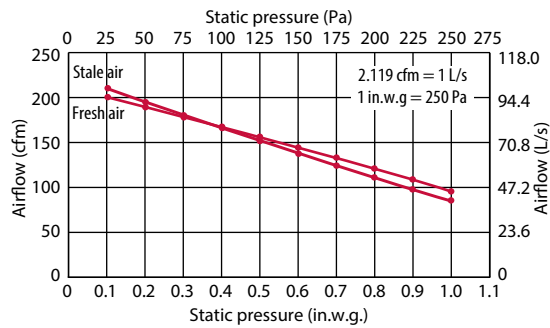
- No controls are included with the purchase of an ERV or HRV. SA-LT15 and SA-LCD15 controls must be purchased separately.

OSAME230R

Side Port Model



ERV OSAME230R - Curves at highest speed



Energy ratings - HVI certified

Supply temperature		Air flow		Power	Sensible recovery (SRE) ¹	Adjusted Sensible Recovery	Latent recovery / moisture transfer
°C	°F	cfm	L/s	W	%	%	%
Heating							
0	32	47	22	62	70	79	67
0	32	64	30	76	68	76	61
0	32	85	40	90	66	73	56
-25	-13	55	26	81	58	62	56
Cooling							
					Total recovery efficiency	Adjusted total recovery efficiency	
35	95	47	22	62	56	62	63

Model

Product #	cfm	Recirculation	SRE ¹ 0 °C (32 °F) 30 L/s	SRE ¹ -25 °C (-13 °F) 26 L/s	Port in.	mm	Volts	Hertz	Amp.	Weight lb	kg
ERV energy recovery ventilator 230 cfm with recirculation Side Port											
OSAME230RS	230	Yes	68%	58%	6	152	120	60	1.1	43	19.5

¹ SRE: Sensible Recovery Effectiveness.

Options

Product # Kit	Product # Factory installed*	Description
-	-R	Reverse air flow
KIT-OSA-INS-6	-	Basic installation kit for ERV and HRV, 6 in. (152 mm) ducts
KIT-SA-FI-230	-	Kit of 2 Merv8 filters for ERV 230R

* For factory installed options, add the option number to the product number. See the Product Code section inside the front cover.

Controls (sold separately)

Product #	Description
SA-LCD15 ²	Digital Decora-style wall-mounted control/timer for residential ERV and HRV
SA-LT15 ²	Decora-style wall-mounted control/timer for residential ERV and HRV



² Must be purchased separately.

OSKHE130R

ERV - Energy Recovery Ventilator with Recirculation



Top Port Model



CSA-C439-18



Features

Air flow and performance

- Air flow 130 cfm at 0.2 in.w.g.
- 75% sensible recovery effectiveness at 0 °C (32 °F) 30 L/s, 60% sensible recovery effectiveness at -25 °C (-13 °F) 27 L/s.
- Recirculation defrosts.

Voltage

- 120V, 60Hz, 1.5A, 172W.

Benefit

- Reduce heating demand in winter and cooling demand in summer.
- Whisper-quiet: factory calibrated and balanced.
- Easy installation and maintenance.
- Designed and manufactured in Canada to operate in variable climatic conditions.

Construction

- Door and housing in corrosion-resistant galvanized steel, 24-gauge, pre-painted neutral white.
- Convenient, screwless hinged door.
- Ultra-thin: 14 1/8 in. (359 mm).
- Easy installation: 64 lb (29.1 kg).
- No drain required.
- Port size: 5 in. (127 mm).
- Top port model only.
- Merv8 washable filters. Merv13 washable filter in option (SK-FI-M13).

Motor

- Energy-efficient, sealed European motor with closed housing and automatic reset thermal protection.
- Balancing without flow keys. 100% electronic adjustment. Pressure ports integrated into the door for precise, easy balancing.

Energy recovery core

- Polymer counterflow energy recovery core offers high energy efficiency for superior performance.
- Washable in soapy water to recover its full effectiveness without deterioration or contamination.

Control/timer

- 2 control choices available:
 - Optional Decora-style wall-mounted control/timer (SA-LT15). INTERMITTENT (20-40) – CONTINUOUS – OFF – Timer (20-40-60 minutes).
 - Optional digital Decora-style wall-mounted control/timer (SA-LCD15). INTERMITTENT (20-40) – CONTINUOUS – Humidity – Recirculation – OFF.

Installation

- Can be wall-mounted or suspended.
- Set of nylon suspension straps included for installation.
- Fits into a 24 in. (610 mm) deep wardrobe.
- Removable terminal block for connection to a furnace, supplied with the device.

Setting

- Balance the unit using the supplied instruction.
- All the installer needs are the required flow rates, a manometer, and 5 minutes to adjust and balance the system.
- Simply specify the air flow rates for LOW SPEED and HIGH SPEED.
- The static pressure of the system should ideally be less than or equal to the static pressure indicated by the graph for HIGH SPEED.
- You don't have to worry about static pressure to limit air flow or adding flow keys as other devices. All you must do is provide ducting that doesn't limit maximum flow, and the unit's adjustments will allow you to fine-tune flow rates.

Warranty

- Motor 5-year. Other parts except filters and pre-filters 1-year.

Application

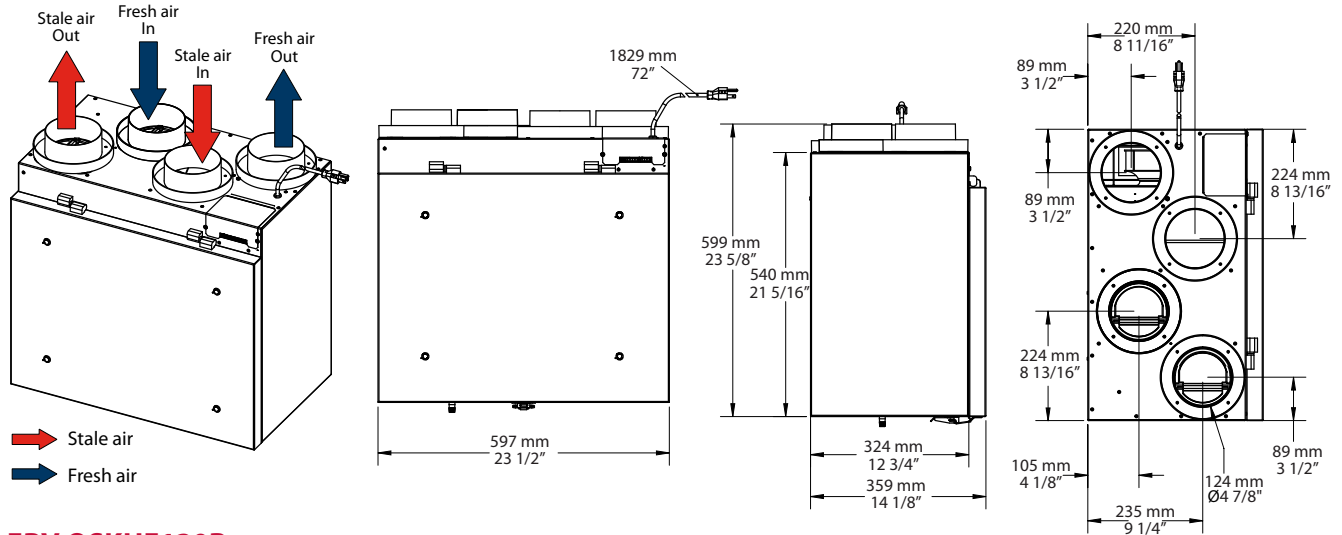
- The ideal solution for high-rise apartments and small to medium-size homes.
- The most efficient energy recovery ventilator on the market. Ideal for projects requiring very high energy performance to benefit from all available credits and subsidies.
- Purifies the air by expelling many pollutants, dust, and allergens to the outside, while ensuring an equivalent supply of fresh air in the home.

Important note

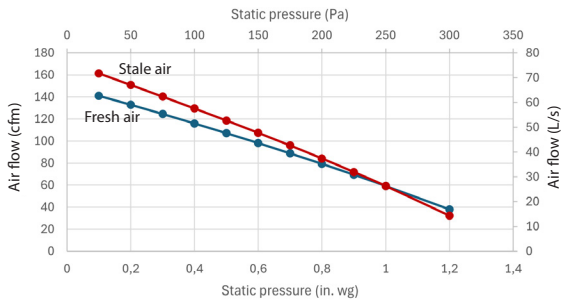
- No controls are included with the purchase of an ERV or HRV. SA-LT15 and SA-LCD15 controls must be purchased separately.

OSKHE130R

Top Port Model



ERV OSKHE130R Curves at highest speed



Ventilation performance at highest speed

in. wg (Pa)	0.2 (50)	0.3 (75)	0.4 (100)	0.5 (125)
Net supply air flow	129 (61)	121 (57)	113 (53)	104 (49)
Gross supply air flow	133 (62)	124 (58)	116 (54)	107 (50)
Gross exhaust air flow	151 (71)	140 (66)	129 (61)	118 (56)

Energy ratings - HVI certified

Supply temperature	Air flow	Power	Sensible recovery (SRE) ¹	Adjusted sensible recovery	Latent recovery / moisture transfer
°C	°F	cfm	L/s	W	%
Heating					
0	32	49	23	66	78
0	32	64	30	76	75
0	32	84	40	92	73
-25	-13	58	27	82	60
Cooling					
			Total recovery efficiency	Adjusted total recovery efficiency	
35	95	64	30	76	68
					74
					77

Model

Product #	cfm	Recirculation	SRE ¹ 0 °C (32 °F) 30 L/s	SRE ¹ -25 °C (-13 °F) 27 L/s	Port in.	Volts	Hertz	Amp.	Weight lb	kg	
ERV energy recovery ventilator 130 cfm with recirculation Top Port											
OSKHE130RT	130	Yes	75%	60%	5	127	120	60	1.5	64	29.1

¹ SRE: Sensible Recovery Effectiveness.

Options

Product # Kit	Product # Factory installed*	Description
KIT-OSA-INS-5	-	Basic installation kit for ERV and HRV, 5 in. (127 mm) ducts
KIT-SA-FI-150	-	Kit of 2 Merv8 washable filters for ERV 130R and HRV 150R
KIT-SK-DRAIN	-	Drain connection kit for ERV and HRV
SK-FI-M13	-	Merv13 washable filter for ERV 130R and HRV 150R

* For factory installed options, add the option number to the product number. See the Product Code section inside the front cover.

Controls (sold separately)

Product #	Description
SA-LCD15 ²	Digital Decora-style wall-mounted control/timer for residential ERV and HRV
SA-LT15 ²	Decora-style wall-mounted control/timer for residential ERV and HRV

² Must be purchased separately.



OSKHH150R

HRV - Heat Recovery Ventilator
with Recirculation



Top Port Model



CSA-C439-18



Features

Air flow and performance

- Fully adjustable air flow (152 cfm @ 0 in.w.g.).
- 84% sensible recovery effectiveness at 0 °C (32 °F) 30 L/s, 62% sensible recovery effectiveness at -25 °C (-13 °F) 33 L/s.
- Recirculation defrosts.

Voltage

- 120V, 60Hz, 1.5A, 172W.

Benefit

- Reduce heating demand in winter and cooling demand in summer.
- Whisper-quiet: factory calibrated and balanced.
- Easy installation and maintenance.
- Designed and manufactured in Canada to operate in variable climatic conditions.

Construction

- Door and housing in corrosion-resistant galvanized steel, 24-gauge, pre-painted neutral white.
- Convenient, screwless hinged door.
- Ultra-thin: 14 1/8 in. (359 mm).
- Easy installation: 59.5 lb (27 kg).
- Port size: 5 in. (127 mm).
- Top port model only.
- Merv8 washable filters.

Motor

- Energy-efficient, sealed European motor with closed housing and automatic reset thermal protection.
- Balancing without flow keys. 100% electronic adjustment. Pressure ports integrated into the door for precise, easy balancing.

Heat recovery core

- Polymer counterflow heat recovery core offers high energy efficiency for superior performance.
- Washable in soapy water to recover its full effectiveness without deterioration or contamination.

Control/timer

- 2 control choices available:
 - Optional Decora-style wall-mounted control/timer (SA-LT15). INTERMITTENT (20-40) – CONTINUOUS – OFF – Timer (20-40-60 minutes).
 - Optional digital Decora-style wall-mounted control/timer (SA-LCD15). INTERMITTENT (20-40) – CONTINUOUS – Humidity – Recirculation – OFF.

Installation

- Can be wall-mounted or suspended.
- Set of nylon suspension straps included for installation.
- Fits into a 24 in. (610 mm) deep wardrobe.
- Removable terminal block for connection to a furnace, supplied with the device

Setting

- Balance the unit using the supplied instruction.
- All the installer needs are the required flow rates, a manometer, and 5 minutes to adjust and balance the system.
- Simply specify the air flow rates for LOW SPEED and HIGH SPEED.
- The static pressure of the system should ideally be less than or equal to the static pressure indicated by the graph for HIGH SPEED.
- You don't have to worry about static pressure to limit air flow or adding flow keys as other devices. All you must do is provide ducting that doesn't limit maximum flow, and the unit's adjustments will allow you to fine-tune flow rates.

Warranty

- Motor 5-year. Other parts except filters and pre-filters 1-year.

Application

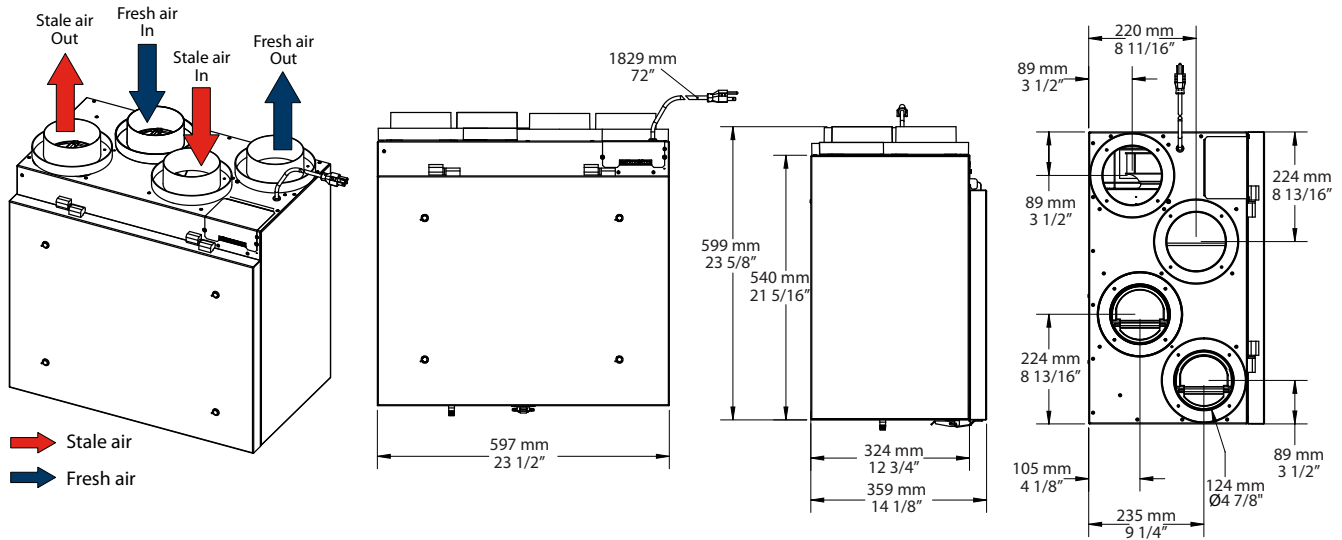
- The ideal solution for high-rise apartments and small to medium-size homes.
- The most efficient heat recovery Ventilator on the market. Ideal for projects requiring very high energy performance to benefit from all available credits and subsidies.
- Purifies the air by expelling many pollutants, dust, and allergens to the outside, while ensuring an equivalent supply of fresh air in the home.

Important note

- No controls are included with the purchase of a ventilator. SA-LT15 and SA-LCD15 controls must be purchased separately.

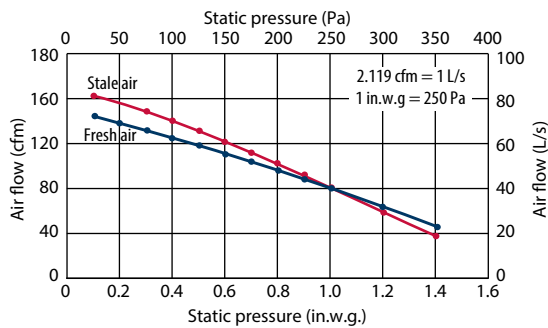
OSKHH150R

Top Port Model



HRV OSKHH150R

Curves at highest speed



Energy ratings - HVI certified

Supply temperature		Air flow		Power	Sensible recovery (SRE) ¹	Adjusted sensible recovery
°C	°F	cfm	L/s	W	%	%
Heating						
0	32	64	30	70	84	93
0	32	96	45	98	81	88
0	32	134	63	134	79	86
-25	-13	70	33	105	62	66

Model

Product #	cfm	Recirculation	SRE ¹ 0 °C (32 °F) 30 L/s	SRE ¹ -25 °C (-13 °F) 33 L/s	Port in. mm	Volts	Hertz	Amp.	Weight lb kg
HRV Heat recovery ventilator 150 cfm with recirculation and top port									
OSKHH150RT	152	Yes	84%	62%	5 127	120	60	1.5	59.5 27

¹ SRE: Sensible Recovery Effectiveness.

Options

Product # Kit	Product # Factory installed*	Description
KIT-OSA-INS-5	-	Basic installation kit for ERV and HRV, 5 in. (127 mm) ducts
KIT-SA-FI-150	-	Kit of 2 Merv8 washable filters for ERV 130R and HRV 150R
SA-FI-M13	-	Merv13 washable filter for ERV 130R and HRV 150R

* For factory installed options, add the option number to the product number.
See the **Product Code** section inside the front cover.

Controls (sold separately)

Product #	Description
SA-LCD15 ²	Digital Decora-style wall-mounted control/timer for residential ERV and HRV
SA-LT15 ²	Decora-style wall-mounted control/timer for residential ERV and HRV

² Must be purchased separately.



SA-LCD15



SA-LT15

OTP-H-R32

Harmony R32 Ductless Single Zone Heat Pump



Indoor Unit



Outdoor Unit



Performance up to



-18°C
0°F

Cooling



-25°C
-13°F

Heating

Up to

20.5 SEER2
IN COOLING

9 HSPF2
IN HEATING



Features

Operation mode

- Cooling, heating, dehumidifying, fan and auto.

Nominal capacity

- 9000, 12000, 18000, 24000, 30000, 36000 BTU/hr.

Voltage

- 230/208V, 60 Hz, 1-phase.

Indoor unit

- High wall installation, dual side connection.
- Plastic housing, standard white.
- Washable filters.
- A2L leak detection sensor, included.

Outdoor unit

- Variable speed rotary compressor (INVERTER), with overload protection.
- Electronic expansion valve for precise control of refrigerant flow.
- Condenser fins covered with a hydrophilic coating for improved corrosion resistance.
- Large diameter quiet axial-flow fan for more efficient heat exchange.
- Smart pan heater to prevent ice formation.
- Compressor blanket and preheating technology.
- Installation on aluminum wall bracket or ground stand available in option.

Connection piping

- Minimum piping length of 10 ft. (3 m).
- Flared connections.

Control

- Wireless remote included.
- Wired wall controller available in option.
- Wi-Fi included.
- Set temperature: 16 to 30 °C (61 to 86 °F).
- Temperature display format: °C or °F.

Warranty

- 10-year basic warranty on parts and 10-year basic warranty on the compressor (labor not included).
- Labour warranty (sold separately) from the 1st to 10th year, on parts and labour with system replacement if the compressor fails.

Application

- Dining room-kitchen, living room, family room, commercial building, office building, condo, restaurant.

Includes



Smart Pan Heater



Fin Coating



Quiet Design



Smart Defrosting



Smart Preheating



Auto Restart



Auto-Clean



Self-Diagnosis



A2L safety sensor



Wall Controller



Sleep Mode



Turbo Mode



Up & Down Swing



Timer



I Feel



Lock



Wireless Remote



Wi-Fi

Optional

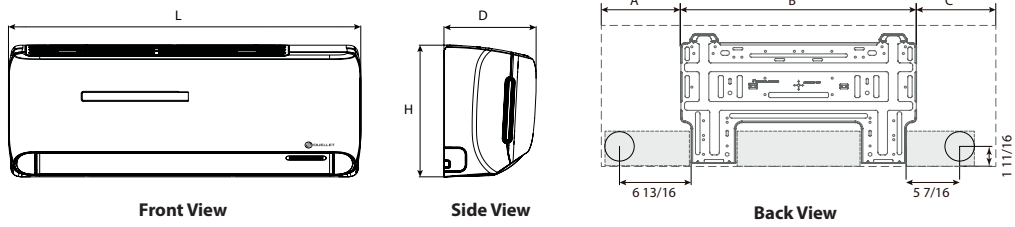
OTP-H-R32

Models

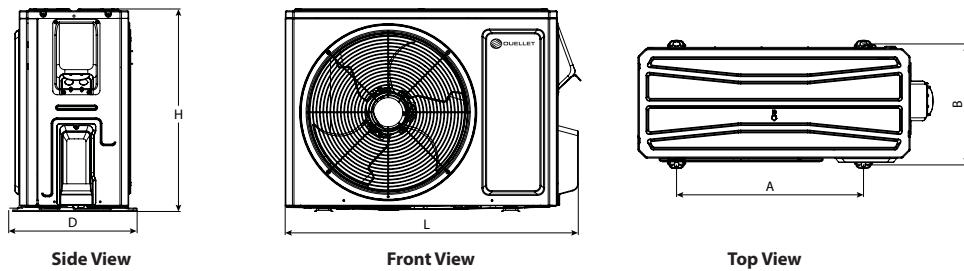
Product # ¹	Indoor Unit Outdoor Unit	OCHX-H09A-I OCHX-H09A-O	OCHX-H12A-I OCHX-H12A-O	OCHX-H18A-I OCHX-H18A-O	OCHX-H24A-I OCHX-H24A-O	OCHX-H30A-I OCHX-H30A-O	OCHX-H36A-I OCHX-H36A-O	
Technical Performance								
Refrigerant type		R32	R32	R32	R32	R32	R32	
Voltage	Volts	230/208	230/208	230/208	230/208	230/208	230/208	
Cooling capacity	Nominal	W (BTU/hr)	2667 (9100)	3517 (12000)	5275 (18000)	6450 (22000)	7795 (30000)	9847 (33600)
	Min. – max.	W (BTU/hr)	700 - 3018 (2388 - 10300)	900 - 3700 (3070 - 13307)	1100 - 5950 (3753 - 20300)	1700 - 7700 (5800 - 26270)	879 - 10550 (3000 - 36000)	2300 - 10990 (7850 - 37500)
Heating capacity	Nominal	W (BTU/hr)	2931 (10000)	3517 (12000)	5598 (19100)	7040 (24000)	7795 (30000)	9964 (34000)
	Min. – max.	W (BTU/hr)	655 - 3850 (2200 - 13136)	900 - 4278 (3070 - 14600)	800 - 6600 (2730 - 22519)	1582 - 7795 (5400 - 26600)	1700 - 10404 (5800 - 35500)	2930 - 10990 (10000 - 37500)
Used cooling power input	Nominal	W	729	1231	1500	2010	2750	3169
	Min. – max.	W	180 - 1050	180 - 1550	200 - 2300	500 - 2400	250 - 4000	700 - 4000
Used heating power input	Nominal	W	771	1004	1435	1950	2750	3267
	Min. – max.	W	180 - 1300	180 - 1650	260 - 2300	400 - 2600	330 - 4000	650 - 4000
Used rated input	W	1300	1650	2300	2600	4000	4000	
Rated current	A	7	7.47	9.5	12	20	20	
MCA	A	10	12	13	15	27	24	
Max. over-current protection (MOCP)	A	15	15	15	20	30	35	
SEER2	-	20.5	19	20	19	22	21	
HSPF2	-	8.8	8.5	8.5	8.5	9	8.5	
EER2	W/W	12.5	9.75	12.35	11.9	10.9	10.6	
COP	W/W	3.8	3.5	3.9	3.6	3.2	3.05	
AHRI number	-	216472860	216472861	216472862	216472863	216472864	216472865	
ENERGY STAR	-	-	-	-	-	-	-	
Indoor Unit								
Dehumidification	pt/hr (l/hr)	1.69 (0.8)	2.96 (1.4)	3.8 (1.8)	5.28 (2.5)	7 (3.5)	7 (3.5)	
Air flow volume	cfm	270 - 600	310 - 720	480 - 1050	700 - 1150	750 - 1350	750 - 1350	
Sound level	dB (A)	24 - 41	27 - 47	34 - 53	36 - 51	36 - 52	36 - 52	
Fan motor power output	W	20	55	50	50	110	60	
Fan motor RLA	A	0.4	0.7	0.7	0.6	0.8	0.7	
Net weight	lb (kg)	19.8 (9)	19.8 (9)	28.7 (13)	33 (15)	34 (15.5)	34 (15.5)	
Outdoor Unit								
Air flow volume	m ³ /hr	1950	1950	2520	3200	4500	4500	
Sound level	dB (A)	51	52	57	58	62	62	
Compressor power input	W	630	857	953	1330	1775	2294	
Compressor LRA	A	20	20	20	35	38	40	
Compressor RLA	A	6.5	8	8.5	10	18.5	16	
Fan motor power output	W	30	30	30	50	90	90	
Fan motor RLA	A	0.65	0.8	0.8	1	1.7	1.7	
Refrigerant volume (R32)	oz (g)	18.7 (530)	17.6 (500)	32.44 (920)	42.33 (1200)	56.44 (1600)	56.44 (1600)	
Net weight	lb (kg)	52.8 (24)	56.22 (25.5)	70.7 (32)	93.5 (42.5)	116.6 (53)	122.1 (55.5)	
Operating ambient temperature	Cooling	°C (°F)						
	Heating	°C (°F)						
Connection Piping/Refrigerant								
Pre-charge length	ft. (m)	25 (7.5)	25 (7.5)	25 (7.5)	25 (7.5)	25 (7.5)	25 (7.5)	
Additional refrigerant charge	oz/ft. (g/m)	0.2 (16)	0.2 (16)	0.2 (16)	0.13 (12)	0.43 (40)	0.43 (40)	
Liquid pipe outer diameter	in.	1/4	1/4	1/4	1/4	1/4	1/4	
Gas pipe outer diameter	in.	3/8	3/8	1/2	1/2	5/8	5/8	
Maximum height difference	ft. (m)	39 (12)	39 (12)	82 (25)	82 (25)	82 (25)	82 (25)	
Maximum total length	ft. (m)	66 (20)	66 (20)	82 (25)	131 (40)	131 (40)	131 (40)	

¹ 1 indoor unit and 1 outdoor unit. Note that each unit is individually packaged.

Indoor Unit



Outdoor Unit



Indoor Unit	L		H		D		A		B		C	
	in.	mm	in.	mm	in.	mm	in.	mm	in.	mm	in.	mm
OCHX-H09A-I	32 7/8	835	10 7/8	275	7 7/8	200	7	178	18 13/64	462	7 11/16	195
OCHX-H12A-I												
OCHX-H18A-I	37 1/8	943	13 1/8	333	9 11/16	246	7 17/32	192	22 1/8	562	7 1/2	190
OCHX-H24A-I												
OCHX-H30A-I	42 7/16	1078	13 1/8	333	9 11/16	246	6 7/32	158	22 1/8	562	10 5/32	258
OCHX-H36A-I												

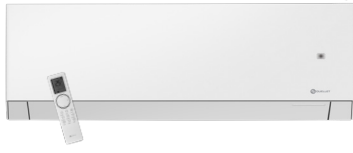
Outdoor Unit	L		H		D		A		B	
	in.	mm	in.	mm	in.	mm	in.	mm	in.	mm
OCHX-H09A-O	28 13/16	732	21 54/64	555	13	330	17 29/32	455	12 13/64	310
OCHX-H12A-O										
OCHX-H18A-O	31 37/64	802	21 54/64	555	13 50/64	350	20 5/32	512	13 5/64	332
OCHX-H24A-O	37 3/4	958	26	660	15 53/64	402	22 7/16	570	14 41/64	372
OCHX-H30A-O										
OCHX-H36A-O	39 3/8	1000	29 3/8	746	16 13/16	427	24 1/61	610	15 35/64	395

Options

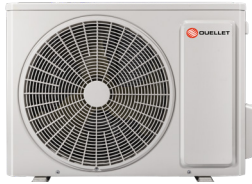
See OTP Options section

OTP-P-R32

Pacific R32 Ductless Single Zone Heat Pump



Indoor Unit



Outdoor Unit

Performance up to



Cooling



Heating

Up to



Features

Operation mode

- Cooling, heating, dehumidifying, fan and auto.

Nominal capacity

- 9000, 12000, 18000, 24000 BTU/hr.

Voltage

- 230/208V, 60 Hz, 1-phase.

Indoor unit

- High wall installation, dual side connection.
- Plastic housing, standard white.
- Fresh air kit available in option.
- Washable filters.
- A2L leak detection sensor, included.

Outdoor unit

- Variable speed rotary compressor (INVERTER), with overload protection.
- Electronic expansion valve for precise control of refrigerant flow.
- Condenser fins covered with a hydrophilic coating for improved corrosion resistance.
- Large diameter quiet axial-flow fan for more efficient heat exchange.
- Smart pan heater to prevent ice formation.
- Compressor blanket and preheating technology.
- Installation on aluminum wall bracket or ground stand available in option.

Connection piping

- Minimum piping length of 10 ft. (3 m).
- Flared connections.

Control

- Wireless remote included.
- Wired wall controller available in option.
- Wi-Fi included.
- Set temperature: 16 to 30 °C (61 to 86 °F).
- Temperature display format: °C or °F.

Warranty

- 10-year basic warranty on parts and 10-year basic warranty on the compressor (labour not included).
- Labour warranty (sold separately) from the 1st to 10th year, on parts and labour with condenser replacement if the compressor fails.

Application

- Dining room-kitchen, living room, family room, commercial building, office building, condo, restaurant.

Includes



Smart Pan Heater



Crankcase Heater



Fin Coating



Quiet Design



Smart Defrosting



Smart Preheating



Auto Restart



Auto-Clean



Self-Diagnosis



A2L safety sensor



Wall Controller



Sleep Mode



Turbo Mode



Up & Down Swing



Left & Right Swing



Timer



I Feel



Lock



Wireless Remote



Wi-Fi

Optional

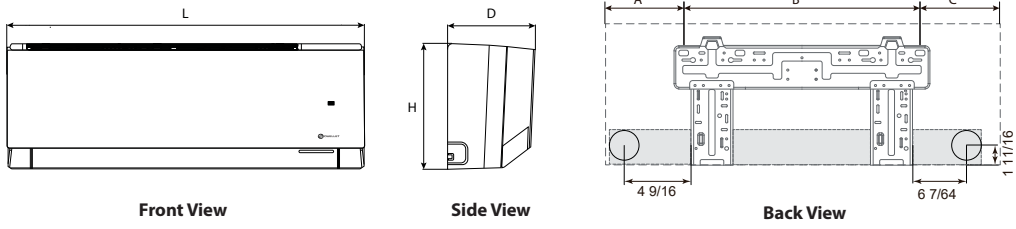
OTP-P-R32

Models

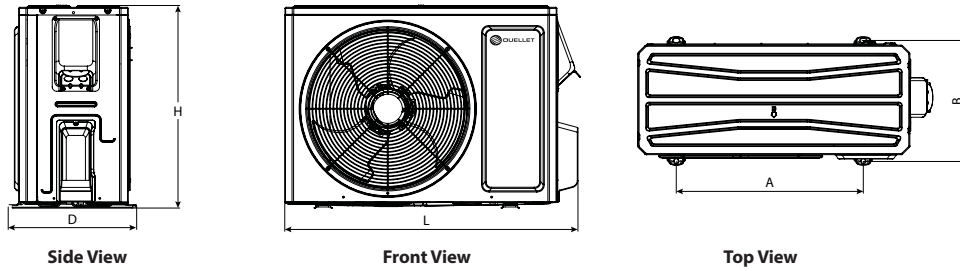
Product # ¹	Indoor Unit Outdoor Unit	OCVX-H09A-I OCVX-H09A-O	OCVX-H12A-I OCVX-H12A-O	OCVX-H18A-I OCVX-H18A-O	OCVX-H24A-I OCVX-H24A-O	
Technical Performance						
Refrigerant type		R32	R32	R32	R32	
Voltage	Volts	230/208	230/208	230/208	230/208	
Cooling capacity	Nominal	W (BTU/hr)	2667 (9100)	3517 (12000)	5275 (18000)	6450 (22000)
	Min. – max.	W (BTU/hr)	800 - 3800 (2730 - 12966)	900 - 4400 (3070 - 15012)	1500 - 6500 (5118 - 22178)	1169 - 8200 (3990 - 28000)
Heating capacity	Nominal	W (BTU/hr)	3077 (10500)	3517 (12000)	5275 (18000)	7040 (24000)
	Min. – max.	W (BTU/hr)	700 - 4400 (2388 - 15013)	900 - 4600 (3071 - 15695)	1300 - 6500 (4436 - 22178)	850 - 8100 (2900 - 27640)
Used cooling power input	Nominal	W	606	923	1315	1675
	Min. – max.	W	190 - 1090	290 - 1450	130 - 2300	135 - 2400
Used heating power input	Nominal	W	789	923	1349	2235
	Min. – max.	W	150 - 1520	160 - 1400	230 - 2350	4178 - 3850
Used rated input	W	1520	1450	2350	3100	
Rated current	A	6	6.64	11.50	17.2	
MCA	A	10	10	16	23	
Max. over-current protection (MOCP)	A	15	15	20	25	
SEER2 (SEER)	-	26	24.5	24.5	24	
HSPF2 (HSPF)	-	10.4	9.5	9	9	
EER2	W/W	15	13	13.65	13.1	
COP	W/W	3.9	3.81	3.91	3.15	
AHRI number	-	216472857	216472858	216472859	216623762	
ENERGY STAR	-	✓	✓	✓	✓	
Indoor Unit						
Dehumidification	pt/hr (l/hr)	1.69 (0.8)	2.96 (1.4)	3.6 (1.7)	5 (2.4)	
Air flow volume	cfm	129 - 353	212 - 400	324 - 589	235 - 559	
Sound level	dB (A)	20 - 41	20 - 43	25 - 40	30 - 48	
Fan motor power output	W	15	55	50	50	
Fan motor RLA	A	0.35	0.4	0.6	0.7	
Net weight	lb (kg)	21 (9.5)	21 (9.5)	29 (13.5)	35 (16)	
Outdoor Unit						
Air flow volume	m ³ /hr	2200	2200	3600	4500	
Sound level	dB (A)	52	52	59	62	
Compressor power input	W	800	856	1196	3600	
Compressor LRA	A	25	25	22	25	
Compressor RLA	A	6.5	7	10.35	15.65	
Fan motor power output	W	30	30	60	90	
Fan motor RLA	A	0.96	0.7	1.35	2.1	
Refrigerant volume (R32)	oz (g)	30 (850)	28.2 (800)	40.6 (1150)	49.4 (1400)	
Net weight	lb (kg)	70.5 (32)	67.3 (30.5)	95 (43)	103.6 (47)	
Operating ambient temperature	Cooling	°C (°F)	-29 to 50 (-20 to 122)			
	Heating	°C (°F)	-30 to 30 (-22 to 86)			
Connection Piping/Refrigerant						
Pre-charge length	ft. (m)	25 (7.5)	25 (7.5)	25 (7.5)	25 (7.5)	
Additional refrigerant charge	oz/ft. (g/m)	0.2 (20)	0.2 (20)	0.2 (20)	0.4 (40)	
Liquid pipe outer diameter	in.	1/4	1/4	1/4	1/4	
Gas pipe outer diameter	in.	3/8	1/2	1/2	5/8	
Maximum height difference	ft. (m)	40 (12.2)	40 (12.2)	82 (25)	82 (25)	
Maximum total length	ft. (m)	66 (20)	66 (20)	131 (40)	131 (40)	

¹ 1 indoor unit and 1 outdoor unit. Note that each unit is individually packaged.

Indoor Unit



Outdoor Unit



Indoor Unit	L		H		D		A		B		C	
	in.	mm	in.	mm	in.	mm	in.	mm	in.	mm	in.	mm
OCVX-H09A-I	32 15/16	837	11 1/2	293	7 7/8	200	4 11/16	119	21 5/16	542	6 15/16	204
OCVX-H12A-I			12 1/4	311	8 11/16	221	5 3/64	128	27 55/64	1093	6 13/64	158
OCVX-H18A-I	39 3/32	993	12 1/4	311	8 11/16	221	5 3/64	128	27 55/64	1093	6 13/64	158
OCVX-H24A-I			12 1/4	311	8 11/16	221	5 3/64	128	27 55/64	1093	6 13/64	158

Outdoor Unit	L		H		D		A		B	
	in.	mm	in.	mm	in.	mm	in.	mm	in.	mm
OCVX-H09A-O	31 37/64	802	21 27/32	555	13 25/32	350	20 5/32	512	13 5/64	332
OCVX-H12A-O			26	660	15 53/64	402	22 7/16	570	14 39/64	571
OCVX-H18A-O	37 23/32	958	26	660	15 53/64	402	22 7/16	570	14 39/64	571
OCVX-H24A-O	39 3/8	1000	29 3/8	746	16 13/16	427	24	610	15 9/16	395

Options

See OTP Options section

OTP-O-R32

Olympia-R32 Ductless Single Zone Heat Pump



Indoor Unit



Outdoor Unit



Performance up to



-29°C
-20°F

Cooling



-30°C
-22°F

Heating

Up to

30 SEER2
IN COOLING

11.2 HSPF2
IN HEATING



Features

Operation mode

- Cooling, heating, dehumidifying, fan and auto.

Nominal capacity

- 9000, 12000, 18000, 24000 BTU/hr.

Voltage

- 230/208V, 60 Hz, 1-phase.

Indoor unit

- High wall installation, dual side connection.
- Plastic housing, standard white.
- 7-speed cross-flow fan (turbo, high, medium-high, medium, medium-low, low and quiet).
- Washable filters.
- A2L leak detection sensor, included.

Outdoor unit

- Variable speed rotary compressor (INVERTER), with overload protection.
- Electronic expansion valve for precise control of refrigerant flow.
- Condenser fins covered with a hydrophilic coating for improved corrosion resistance.
- Large diameter quiet axial-flow fan for more efficient heat exchange.
- Smart pan heater to prevent ice formation.
- Compressor blanket and preheating technology.
- Installation on aluminum wall bracket or ground stand (optional).

Connection piping

- Minimum piping length of 10 ft. (3 m).
- Flared connections.

Control

- Wireless remote included.
- Wired wall controller available.
- Wi-Fi capability.
- Set temperature: 16 to 30 °C (61 to 86 °F).
- Temperature display format: °C or °F.

Warranty

- 10-year basic warranty on parts and 10-year basic warranty on the compressor (labor not included).
- Labour warranty (sold separately) from the 1st to 10th year, on parts and labour with system replacement if the compressor fails.

Application

- Dining room-kitchen, living room, family room, commercial building, office building, condo, restaurant.

Includes



Smart Pan Heater



Crankcase Heater



Fin Coating



Quiet Design



Smart Defrosting



Smart Preheating



Auto Restart



Auto-Clean



Self-Diagnosis



A2L safety sensor



Wall Controller



Sleep Mode



Turbo Mode



Up & Down Swing



Left & Right Swing



Timer



I Feel



Lock



Wireless Remote



Wi-Fi

Optional

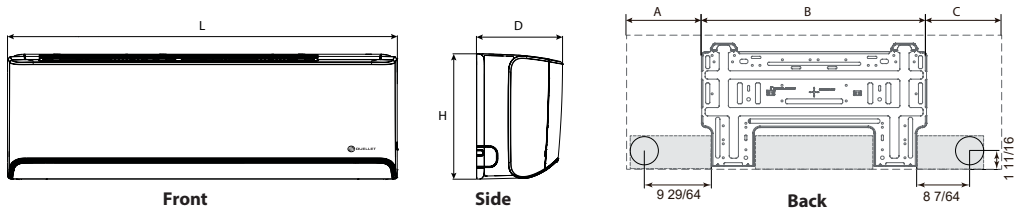
OTP-O-R32

Models

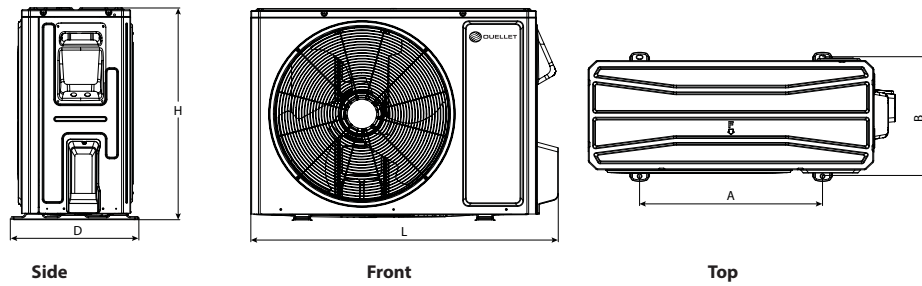
Product # ¹	Indoor Unit Outdoor Unit	OARX-H09A-I OARX-H09A-O	OARX-H12A-I OARX-H12A-O	OARX-H18A-I OARX-H18A-O	OARX-H24A-I OARX-H24A-O	
Technical Performance						
Refrigerant type		R32	R32	R32	R32	
Voltage		Volts	230/208	230/208	230/208	
Cooling capacity	Nominal	W (BTU/hr)	2666 (9100)	3517 (12000)	5276 (18000)	6450 (22000)
	Min. – max.	W (BTU/hr)	400 - 3800 (1365 - 12966)	850 - 4500 (2900 - 15354)	1300 - 7500 (4435 - 25590)	1700 - 9200 (5800 - 31400)
Heating capacity	Nominal	W (BTU/hr)	3106 (10600)	3575 (12200)	5450 (18595)	7000 (24000)
	Min. – max.	W (BTU/hr)	800 - 5000 (2730 - 17060)	900 - 5000 (3071 - 17060)	1500 - 7700 (5118 - 26272)	1700 - 9700 (5800 - 33100)
Used cooling power input	Nominal	W	542	790	1256	1573
	Min. – max.	W	75 – 1250	75 - 1250	150 – 2800	265 – 3150
Used heating power input	Nominal	W	706	786	1362	1803
	Min. – max.	W	160 – 1650	250 – 1750	250 – 3500	320 – 4800
Used rated input		W	1650	1750	3500	4800
Rated current		A	7.6	7.8	16	21.5
MCA		A	11	11	21	25.5
Max. over-current protection (MOCP)		A	15	15	25	30
SEER2		-	30	28	27.5	27
HSPF2		-	11.2	10	10	10
EER2		W/W	15	15.52	13.65	13.31
COP		W/W	4.4	4.55	4	3.9
AHRI number		-	216472855	216472856	216498641	216498640
ENERGY STAR		-	✓	✓	✓	✓
Indoor Unit						
Dehumidification		pt/hr (l/hr)	1.69 (0.80)	2.96 (1.40)	3.80 (1.80)	7.30 (3.50)
Air flow volume		cfm	450 - 860	600 - 960	800 - 1250	600 - 1300
Sound level		dB (A)	23 - 42	27 - 43	35 - 49	36 - 53
Fan motor power output		W	50	50	60	110
Fan motor RLA		A	0.4	0.4	0.7	0.85
Net weight		lb (kg)	33 (15)	33 (15)	38.6 (17.5)	39.6 (18)
Outdoor Unit						
Air flow volume		cfm	3000	3000	3200	4500
Sound level		dB (A)	56	55	59	62
Compressor power input		W	757	757	1358	1775
Compressor LRA		A	20	20	25	38
Compressor RLA		A	7.2	7.2	14.3	18
Fan motor power output		W	40	40	60	90
Fan motor RLA		A	1	1	1.1	1.7
Refrigerant volume (R32)		oz (g)	35.27 (1000)	35.27 (1000)	47.62 (1350)	56.44 (1600)
Net weight		lb (kg)	99.2 (45)	99.2 (45)	141.1 (64)	147.7 (67)
Operating ambient temperature	Cooling	°C (°F)	-29 à 50 (-20 à 122)			
	Heating	°C (°F)	-30 à 30 (-22 à 86)			
Connection Piping/Refrigerant						
Pre-charge length		ft. (m)	25 (7.5)	25 (7.5)	25 (7.5)	25 (7.5)
Additional refrigerant charge		oz/ft. (g/m)	0.18 (16)	0.18 (16)	0.46 (40)	0.46 (40)
Liquid pipe outer diameter		in.	1/4	1/4	1/4	1/4
Gas pipe outer diameter		in.	1/2	1/2	5/8	5/8
Maximum height difference		ft. (m)	82 (25)	82 (25)	82 (25)	82 (25)
Maximum total length		ft. (m)	131 (40)	131 (40)	131 (40)	131 (40)

¹ 1 indoor unit and 1 outdoor unit. Note that each unit is individually packaged.

Indoor Unit



Outdoor Unit



Indoor Unit	L		H		D		A		B		C	
	in.	mm	in.	mm	in.	mm	in.	mm	in.	mm	in.	mm
OARX-H09A-I	39 3/16	970	13 21/32	347	10 1/8	257	8 5/64	205	22 1/8	562	7	203
OARX-H12A-I												
OARX-H18A-I	43 45/64	1110	13 21/32	347	10 1/8	257	10 53/64	275	22 1/8	562	10 3/4	273
OARX-H24A-I												

Outdoor Unit	L		H		D		A		B	
	in.	mm	in.	mm	in.	mm	in.	mm	in.	mm
OARX-H09A-O	34 3/8	873	21 27/32	555	14 7/8	378	20 25/32	528	13 1/2	343
OARX-H12A-O										
OARX-H18A-O	38 25/32	985	26	660	15 53/64	402	22 7/16	570	14 10/16	371
OARX-H24A-O	38 5/8	1000	29 3/8	746	16 13/16	427	24	610	15 9/16	395

Options

See OTP Options section

OTP-MZ-R32

Myriad Plus Ductless Multizone Heat Pump



Ceiling Cassette



Ductable Fan Coil



Indoor Units



Outdoor Unit



Performance up to



Cooling



Heating

Up to



Features

Operation mode

- Cooling, heating, dehumidifying, fan and auto.

Nominal capacity

- 18000, 24000, 30000, 36000, 42000 BTU/hr.

Voltage

- 230/208V, 60 Hz, 1-phase.

Indoor unit

- A2L leak detection sensor, included.
- Washable filters.

Outdoor unit

- Variable speed rotary compressor (INVERTER), with overload protection.
- Electronic expansion valve for precise control of refrigerant flow.
- Condenser fins covered with a hydrophilic coating for improved corrosion resistance.
- Large diameter quiet axial-flow fan for more efficient heat exchange.
- Smart pan heater to prevent ice formation.
- Compressor blanket and preheating technology.
- Installation on aluminum wall bracket or ground stand available in option.

Connection piping

- Minimum piping length of 10 ft. (3 m).
- Flared connections.

Control

- Wireless remote included with each indoor unit.
- Wired wall controller available in option.
- Wi-Fi included.
- Set temperature: 16 to 30 °C (61 to 86 °F).
- Temperature display format: °C or °F.

Warranty

- 10-year basic warranty on parts and 10-year basic warranty on the compressor (labour not included).
- Labour warranty (sold separately) from the 1st to 10th year, on parts and labour with system replacement if the compressor fails.

Application

- Dining room-kitchen, living room, family room, commercial building, office building, condo, restaurant.

Includes



Smart Pan Heater



Crankcase Heater



Fin Coating



Quiet Design



Smart Defrosting



Smart Preheating



Auto Restart



Auto-Clean



Self-Diagnosis



Sleep Mode



Turbo Mode



Up & Down Swing



Timer



I Feel



Lock



Wireless Remote



Wi-Fi



A2L safety

Optional



Wall Controller

OTP-MZ-R32

Models - Outdoor Unit

Product #		OFRM2X1-H18A-O	OFRM3X1-H24A-O	OFRM4X1-H30A-O	OFRM4X1-H36A-O	OFRM5X1-H42A-O	
Technical Performance							
Refrigerant type		R32	R32	R32	R32	R32	
Number of connectable indoor unit		-	1 to 2	2 to 3	2 to 4	2 to 5	
Voltage		Volts	230/208	230/208	230/208	230/208	
Cooling capacity	Nominal	W (BTU/hr)	5275 (18000)	7030 (24000)	8300 (28400)	10550 (36000)	12309 (42000)
	Min. - max.	W (BTU/hr)	2139 - 5803 (7300 - 19800)	2200 - 9200 (7500 - 31400)	2400 - 10000 (8190 - 34100)	2600 - 11987 (8871 - 40900)	2600 - 12983 (8871 - 44300)
Heating capacity	Nominal	W (BTU/hr)	5275 (18000)	7030 (24000)	8792 (30000)	10550 (36000)	12309 (42000)
	Min. - max.	W (BTU/hr)	2139 - 5803 (7300 - 19800)	2200 - 9200 (7500 - 31400)	2400 - 12000 (8188 - 40900)	2600 - 13000 (8871 - 44300)	2600 - 13500 (8871 - 46000)
Used cooling power input	Nominal	W	1500	1850	2075	3000	3230
Used heating power input	Nominal	W	1350	1800	2100	2960	3150
MCA	A	14.5	19.5	23	30	30	
Max. over-current protection (MOCP)	A	20	25	35	45	45	
SEER2	-	21	21	21	21	21	
HSPF2	-	10	10	10	10	10	
EER2	W/W	13.33	13.33	14.28	12.16	13.33	
COP	W/W	3.9	3.9	4.19	3.56	3.9	
AHRI number	-	216453528	216453529	216453530	216453531	216453532	
ENERGY STAR	-	✓	✓	✓	✓	✓	
Air flow volume	cfm	1354	2236	3413	3413	3413	
Sound level	dB (A)	64	68	74	74	74	
Compressor power input	W	1300	1887	2047	3514	3514	
Compressor RLA	A	9.5	12	13.5	19.6	19.6	
Fan motor power output	W	30	60	130	130	130	
Refrigerant volume (R32)	oz (g)	31.8 (880)	60 (1700)	77.62 (2183)	92.24 (2608)	95.24 (2693)	
Net weight	lb (kg)	75 (34.1)	112.5 (51)	145.5 (66)	176.4 (80.2)	178.6 (81.2)	
Operating ambient temperature	Cooling	°C (°F)					-30 to 48 (-22 to 118)
	Heating	°C (°F)					-30 to 24 (-22 to 75)
Connection Piping/Refrigerant							
Pre-charge length	ft. (m)	33 (10)	98 (30)	131 (40)	131 (40)	131 (40)	
Additional refrigerant charge	oz/ft. (g/m)	0.2 (20)	0.2 (20)	0.2 (20)	0.2 (20)	0.2 (20)	
Max. height difference outdoor to indoor unit	ft. (m)	49 (15)	49 (15)	82 (25)	82 (25)	82 (25)	
Max. total length	ft. (m)	131 (40)	197 (60)	262 (80)	262 (80)	328 (100)	

OTP-MZ-R32 / OTP-P-R32 (Pacific R32)

Models - OTP-P-R32 (Pacific R32) Indoor Unit

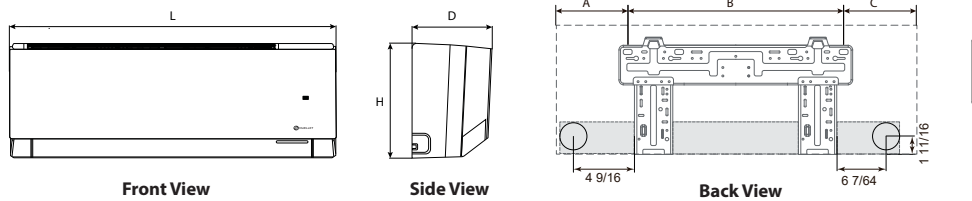
Product #		OCVX-H09A-I	OCVX-H12A-I	OCVX-H18A-I	OCVX-H24A-I
Cooling capacity	Nominal	W (BTU/hr) 2667 (9100)	3517 (12000)	5275 (18000)	6450 (22000)
	Min. – max.	W (BTU/hr) 800 - 3800 (2730 - 12966)	900 - 4400 (3070 - 15012)	1500 - 6500 (5118 - 22178)	1169 - 8200 (3990 - 28000)
Heating capacity	Nominal	W (BTU/hr) 3077 (10500)	3517 (12000)	5275 (18000)	7040 (24000)
	Min. – max.	W (BTU/hr) 700 - 4400 (2388 - 15013)	900 - 4600 (3071 - 15695)	1300 - 6500 (4436 - 22178)	850 - 8100 (2900 - 27640)
Dehumidification	pt/hr (l/hr)	1.69 (0.8)	2.96 (1.4)	3.6 (1.7)	5 (2.4)
Air flow volume	cfm	129 - 353	212 - 400	324 - 589	235 - 559
Sound level	dB (A)	20 - 41	20 - 43	25 - 40	30 - 48
Fan motor power output	W	15	55	50	50
Fan motor RLA	A	0.22	0.4	0.6	0.7
Net Weight	lb (kg)	21 (9.5)	21 (9.5)	29 (13.5)	35 (16)
Connection Piping/Refrigerant					
Liquid pipe outer diameter	in.	1/4	1/4	1/4	1/4
Gas pipe outer diameter	in.	3/8	1/2	5/8	5/8

Note that each unit is individually packaged.

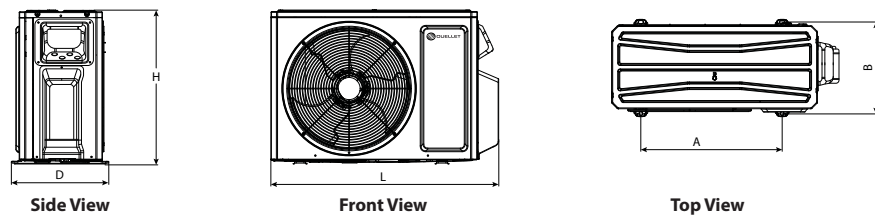
Options

See OTP Options section

Indoor Unit



Outdoor Unit



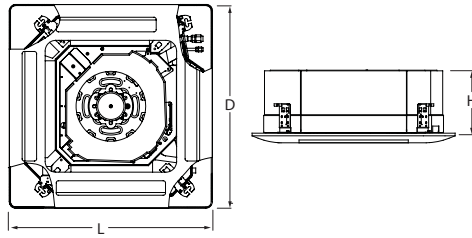
Outdoor Unit	L		H		D		A		B	
	in.	mm	in.	mm	in.	mm	in.	mm	in.	mm
OFRM2X1-H18A-O	32 3/8	822	21 11/16	550	13 7/8	352	20 5/32	512	13 5/64	332
OFRM3X1-H24A-O	37 15/16	964	26	660	15 13/16	402	22 7/16	570	14 39/64	371
OFRM4X1-H30A-O	40 1/8	1020	32 1/2	826	16 13/16	427	25	635	15 19/32	396
OFRM4X1-H36A-O										
OFRM5X1-H42A-O										

Indoor Unit	L		H		D		A		B		C	
	in.	mm	in.	mm	in.	mm	in.	mm	in.	mm	in.	mm
OCVX-H09A-I	32 15/16	837	11 1/2	293	7 7/8	200	4 11/16	119	21 5/16	542	6 15/16	204
OCVX-H12A-I												
OCVX-H18A-I												
OCVX-H24A-I	39 3/32	993	12 1/4	311	8 11/16	221	5 3/64	128	27 55/64	1093	6 13/64	158

OTP-MZ-R32 / Ceiling Cassette and Ductable Fan Coil

Models - Ceiling Cassette Indoor Unit

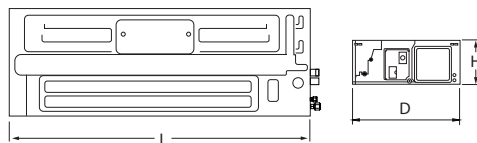
Product # ¹ – Ceiling Cassette			OICX1-H09A-I	OICX1-H12A-I	OICX1-H18A-I	OICX1-H24A-I
Product # ¹ – Grille			OICGA	OICGA	OICGA	OICGB
Cooling capacity	Nominal	W (BTU/hr)	2667 (9100)	3517 (12000)	5275 (18000)	6450 (22000)
Heating capacity	Nominal	W (BTU/hr)	3077 (10500)	3517 (12000)	5275 (18000)	7040 (24000)
Dehumidification		pt/hr (l/hr)	2.96 (1.4)	2.96 (1.4)	3.8 (1.8)	5.28 (2.5)
Air flow volume		cfm	206 - 330	206 - 330	206 - 383	471 - 618
Sound level		dB (A)	39 - 50	39 - 50	40 - 54	49 - 55
Net Weight		lb (kg)	37.5 (17)	37.5 (17)	37.5 (17)	63.95 (29)
Liquid pipe outer diameter		in.	1/4	1/4	1/4	3/8
Gas pipe outer diameter		in.	3/8	3/8	1/2	5/8



Indoor Unit	L		H		D	
	in.	mm	in.	mm	in.	mm
OICX1-H09A-I	22 7/16	570	10 7/16	265	22 7/16	570
OICX1-H12A-I						
OICX1-H18A-I						
OICX1-H24A-I	33 5/64	840	9 29/64	240	33 5/64	840

Models - Ductable Fan Coil

Product #			OFCX1-H09A-I	OFCX1-H12A-I	OFCX1-H18A-I	OFCX1-H24A-I
Cooling capacity	Nominal	W (BTU/hr)	2667 (9100)	3517 (12000)	5275 (18000)	6450 (22000)
Heating capacity	Nominal	W (BTU/hr)	3077 (10500)	3517 (12000)	5275 (18000)	7040 (24000)
Dehumidification		pt/hr (l/hr)	2.96 (1.4)	2.96 (1.4)	3.8 (1.8)	5.28 (2.5)
Air flow volume		cfm	206 - 330	206 - 330	206 - 383	471 - 618
Sound level		dB (A)	39 - 50	39 - 50	40 - 54	49 - 55
Net Weight		lb (kg)	37.5 (17)	37.5 (17)	37.5 (17)	63.95 (29)
Liquid pipe outer diameter		in.	1/4	1/4	1/4	3/8
Gas pipe outer diameter		in.	3/8	3/8	1/2	5/8



Indoor Unit	L		H		D	
	in.	mm	in.	mm	in.	mm
OFCX1-H09A-I	32 43/64	830	11 13/16	300	29 11/16	754
OFCX1-H12A-I						
OFCX1-H18A-I						
OFCX1-H24A-I	44 1/2	1130	11 13/16	300	29 11/16	754

OTP-MZ-R32

To order

1 Choose the outdoor unit based on the system capacity required.

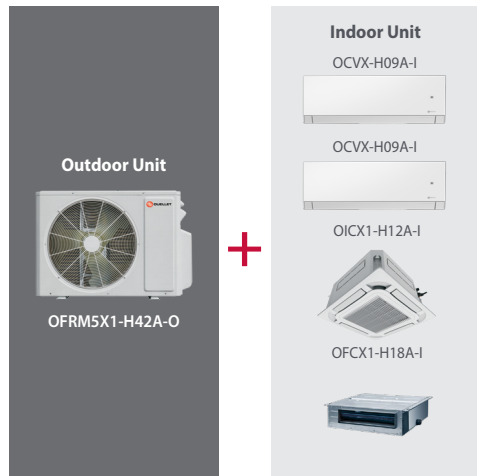
2 Choose the appropriate indoor unit combination by referring to the combination table below.
The combination can be made with wall units, ceiling cassettes, or ductable fan coil.

Note that each unit is individually packaged.

Example:

Outdoor unit required: OFRM5X1-H42A-O

Indoor unit combination chosen: 09 + 09 + 12 + 18



Combination Table

Indoor unit	2 Indoor unit		3 Indoor unit					
OFRM2X1-H18A-O	09 + 09		09 + 09 + 09					
	09 + 12		09 + 09 + 12					
	12 + 12		09 + 09 + 12					
Indoor unit	2 Indoor unit		3 Indoor unit		4 Indoor unit			
OFRM3X1-H24A-O	09 + 09		09 + 09 + 09		09 + 09 + 09 + 09			
	09 + 12		09 + 09 + 12		09 + 09 + 09 + 12			
	09 + 18		09 + 09 + 18		09 + 09 + 09 + 18			
	12 + 12		09 + 12 + 12		09 + 12 + 12 + 12			
	12 + 18		-		-			
Indoor unit	2 Indoor unit		3 Indoor unit		4 Indoor unit			
OFRM4X1-H30A-O	09 + 09		09 + 09 + 09		09 + 09 + 09 + 09			
	09 + 12		09 + 09 + 12		09 + 09 + 09 + 12			
	09 + 18		09 + 09 + 18		09 + 09 + 09 + 18			
	09 + 24		09 + 09 + 24		09 + 09 + 12 + 12			
	12 + 12		09 + 12 + 12		-			
	12 + 18		09 + 12 + 18		-			
	12 + 24		12 + 12 + 12		-			
18 + 24		12 + 12 + 18		-				
Indoor unit	2 Indoor unit		3 Indoor unit		4 Indoor unit			
OFRM4X1-H36A-O	09 + 09		09 + 09 + 09		09 + 09 + 09 + 09			
	09 + 12		09 + 09 + 12		09 + 09 + 09 + 12			
	09 + 18		09 + 09 + 18		09 + 09 + 09 + 18			
	09 + 24		09 + 09 + 24		09 + 09 + 12 + 12			
	12 + 12		09 + 12 + 12		09 + 09 + 12 + 18			
	12 + 18		09 + 12 + 18		09 + 12 + 12 + 12			
	12 + 24		09 + 12 + 24		12 + 12 + 12 + 12			
	18 + 18		09 + 18 + 18		-			
	18 + 24		09 + 18 + 24		-			
	24 + 24		12 + 12 + 12		-			
	-		12 + 12 + 18		-			
-		12 + 12 + 24		-				
-		12 + 18 + 18		-				
Indoor unit	2 Indoor unit		3 Indoor unit		4 Indoor unit		5 Indoor unit	
OFRM5X1-H42A-O	-		09 + 09 + 09		09 + 09 + 09 + 09		09 + 09 + 09 + 09 + 09	
	09 + 12		09 + 09 + 12		09 + 09 + 09 + 12		09 + 09 + 09 + 09 + 12	
	09 + 18		09 + 09 + 18		09 + 09 + 09 + 18		09 + 09 + 09 + 09 + 18	
	09 + 24		09 + 09 + 24		09 + 09 + 09 + 24		09 + 09 + 09 + 12 + 12	
	12 + 12		09 + 12 + 12		09 + 09 + 12 + 12		09 + 09 + 12 + 12 + 12	
	12 + 18		09 + 12 + 18		09 + 09 + 12 + 18		-	
	12 + 24		09 + 12 + 24		09 + 09 + 12 + 24		-	
	18 + 18		09 + 18 + 18		09 + 09 + 18 + 24		-	
	18 + 24		09 + 18 + 24		09 + 12 + 12 + 12		-	
	24 + 24		12 + 12 + 12		09 + 12 + 12 + 18		-	
	-		12 + 12 + 18		09 + 12 + 12 + 24		-	
	-		12 + 12 + 24		09 + 12 + 18 + 18		-	
	-		12 + 18 + 18		09 + 12 + 18 + 24		-	
	-		18 + 18 + 18		09 + 18 + 18 + 24		-	
	-		-		12 + 12 + 12 + 12		-	
-		-		12 + 12 + 12 + 18		-		

The combinations in red represent the combinations that offer 100% performance of the system in heating mode.

It is important that the sum power of the indoor units does not exceed 133% of the power of the outdoor unit.

The combination table is valid for combinations of ceiling cassettes and ductable units.

Legend

Code	BTU/hr
09	9000 BTU/hr
12	12000 BTU/hr
18	18000 BTU/hr
24	24000 BTU/hr

OTP

Options

Product # Kit	Description
OTP-XK76	Programmable wired wall controller
XE75-44/E	Wifi Wired Controller
XE72-44/E	Wifi Wired Controller, including 2 wires
XE71-00/E	Auxillary Heating Dry Contact Control
WK-010WC1	Communicating Wall Thermostat for OTP-F-R32 series
WK-010WD1	7" Color Touchscreen Smart Wall Thermostat
XF30-SXQG01	Fresh air kit for OTP-P R32 heat pump series
ME34-44/G	24V Ductless Adapter Converter
Insulated copper line	
D001412050BLK	1/4" insulated copper line, 50' long
D003812050BLK	3/8" insulated copper line, 50' long
D001212050BLK	1/2" insulated copper line, 50' long
D005812050BLK	5/8" insulated copper line, 50' long
D003412050BLK	3/4" insulated copper line, 50' long
D007812050BLK	7/8" insulated copper line, 50' long
D001412164BLK	1/4" insulated copper line, 164' long
D003812164BLK	3/8" insulated copper line, 164' long
D001212164BLK	1/2" insulated copper line, 164' long
D005812164BLK	5/8" insulated copper line, 164' long
Insulated copper line sets	
CO25121438W	1/2" and 1/4" insulated copper line set kit, 25' long
CO25381438W	3/8" and 1/4" insulated copper line set kit, 25' long
CO25581438W	5/8" and 1/4" insulated copper line set kit, 25' long
CO25583838W	5/8" and 3/8" insulated copper line set kit, 25' long
CO50121438W	1/2" and 1/4" insulated copper line set kit, 50' long
CO50381438W	3/8" and 1/4" insulated copper line set kit, 50' long
CO50581438W	5/8" and 1/4" insulated copper line set kit, 50' long
CO50583838W	5/8" and 3/8" insulated copper line set kit, 50' long
Non-insulated copper line	
C0308050	3/8" non-insulated copper line, 50' long, sold in box of 10 units
Wall bracket	
WBA2416	2 aluminum wall brackets 24" × 16"
SV-ALBR3016	2 aluminum wall brackets 30" × 16", sold in boxes of 6 pairs
Ground stand	
SV-ALGS1426	Aluminum ground stand 14 1/4" × 26"
SV-ALGS1430	Aluminum ground stand 14 1/4" × 30"
SV-ALGS1727-3 ¹	Aluminum ground stand 17 1/8" × 27" (2" × 3" Angle)
No-kink drain line	
SV-NKDL58L50	No-kink drain line 5/8", 165' long

¹ Floor support for central heat pump system.



Programmable
wired wall controller



Insulated copper line



Insulated copper line sets



Non-insulated copper line



Wall bracket



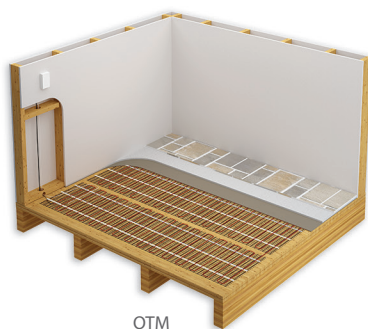
Ground stand



No-kink drain line

OTM Floor Heating Cable on Mat

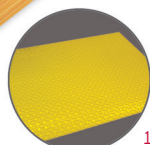
OTR Floor Heating Cable for Membrane



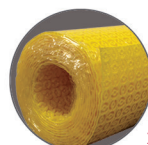
OTM



OTR :
Uncoupling
membrane
sold in option



In sheet



In Roll

Training available online www.ouellet.com (OTM)

Features

Voltage

- 120V, 240/208V, 1-phase.

Cold lead length

- 10' (3 m).

Control

- Two types of control method possible (see instruction manual for details):
 - Surface heating control with electronic thermostat in floor mode (F) and temperature sensor.
 - Ambient heating control with electronic thermostat in ambient mode with floor limit (A or AF) and temperature sensor.

Note: A ground fault circuit interrupter (GFCI) must be used with this heating device unless exempted by the applicable national and/or local electrical code for the area of installation.

Included materials

- 15' (4.6 m) temperature sensor.
- Measurements table label (to be placed in electrical panel).

Installation

- Never cut or shorten the heating cable.
- For indoor applications only.
- On concrete slab or plywood subfloor.

Application

- Kitchen, bathroom, entrance way, family room, living room.

Warranty

- 25-year warranty on the heating cable.

OTM Features

Construction

- Heating cable made of a twin conductor fastened to an adhesive fibreglass mat for a simpler and faster installation with negligible magnetic field.

Watt density

- 12W/sq. ft. (130W/sq. m), 3" (76 mm) spacing.

Dimension

- Mats of 18 in. (0.46 m) in width offered in several lengths.

OTR Features

Construction

- Heating cable made of a twin conductor for a simpler and faster installation, compatible with uncoupling membrane systems.

Watt density

- 9.6W/sq. ft. (103W/sq. m), 3 3/4" (95 mm) spacing.
- 10W/sq. ft. (108W/sq. m), 3 5/8" (92 mm) spacing.

Installation

- On uncoupling membrane sold in option. 1, 2
- For heating cable installation on uncoupling membrane systems, consult the membrane manufacturer's instructions to ensure that it is compatible with the use of heating cables.

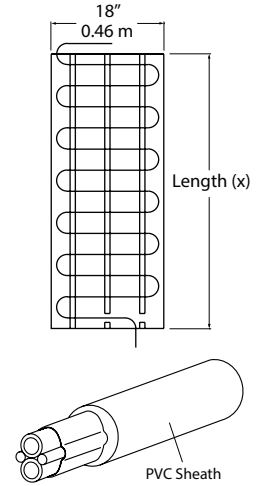
OTM and OTR Options

Product # Kit	Description
NADCM-M-80	Fleeceback uncoupling membrane in sheet, 2' 6-5/16" X 3' 3", 8.16 sq. ft., sold in box of 10 sheets
NADCM-M-150	Fleeceback uncoupling membrane in roll, 46' 9" x 3' 3", 150 sq. ft.
NADCM-S-80	Self-adhesive uncoupling membrane in sheet, 2' 6-5/16" X 3' 3", 8.16 sq. ft., sold in box of 10 sheets
NADCM-S-150	Self-adhesive uncoupling membrane in roll, 46' 9" x 3' 3", 150 sq. ft.
OTM-CC	CableCheck - Electrical fault indicator
OTM-SA	Adhesive spray to secure the mat on concrete slab, 16.75 oz (474 g)
KIT-SP1	Repair kit
KIT-CBL-SN	15 ft. (4.6 m) floor sensor

OTM

Models

Watts	Product # ² 240/208V	Product # ² 120V	Cable Diameter (mm)	Covered Surface ¹ Spacing 3" (76 mm)		Length (x)		Weight	
				sq. ft.	sq. m	ft. in.	m	lb	kg
60	-	FHM120-60	3.2	5	0.5	3'4"	0.9	2.0	0.9
120	FHM240-120	FHM120-120	3.2	10	0.9	6'8"	1.8	2.0	0.9
180	-	FHM120-180	3.2	15	1.4	10'	3.0	3.0	1.4
240	FHM240-240	FHM120-240	3.2	20	1.9	13'4"	4.0	3.0	1.4
300	-	FHM120-300	3.2	25	2.4	16'8"	4.9	4.0	1.8
360	FHM240-360	FHM120-360	3.2	30	2.8	20'	6.1	4.0	1.8
420	-	FHM120-420	3.2	35	3.3	23'4"	7.0	5.0	2.3
480	FHM240-480	FHM120-480	3.2	40	3.8	26'8"	7.9	5.0	2.3
540	-	FHM120-540	3.2	45	4.2	30'	9.2	6.0	2.7
600	FHM240-600	FHM120-600	3.2	50	4.7	33'4"	10.1	7.0	3.2
720	FHM240-720	FHM120-720	3.2	60	5.6	40'	12.2	8.0	3.6
840	FHM240-840	FHM120-840	3.2	70	6.5	46'8"	14.0	9.0	4.1
960	FHM240-960	FHM120-960	3.2	80	7.4	53'4"	16.2	10.0	4.5
1080	FHM240-1080	-	3.2	90	8.4	60	18.3	11.0	5.0
1200	FHM240-1200	-	3.2	100	9.3	66	20.1	12.8	5.8
1440	FHM240-1440	-	3.2	120	11.2	80	24.4	13.0	5.9



OTR

Models

Watts	Product # 240/208V	Amp. 240V	Product # 120V	Amp. 120V	Cable Diameter (mm)	Covered Surface Depending on Spacing ¹				Cable Length		Weight	
						3 5/8" (92 mm) ³ 10W/ sq. ft.	108W/ sq. m	3 3/4" (95 mm) 9.6W/sq. ft.	103W/ sq. m	ft.	m	lb	kg
85	-	-	OTR0082	0.71	4.3	9.5	0.9	10.0	0.9	32	9.75	2.6	0.9
120	-	-	OTR0122	1.00	4.3	12.0	1.1	12.5	1.2	40	12.19	2.6	0.9
150	-	-	OTR0152	1.25	4.3	16.0	1.5	16.5	1.5	53	16.15	3.1	1.4
170	OTR0170	0.71	OTR0172	1.42	4.3	18.5	1.7	19.0	1.8	61	18.59	3.1	1.4
240	OTR0240	1.00	OTR0242	2.00	4.3	24.0	2.2	25.0	2.3	80	24.38	3.8	1.6
300	OTR0300	1.25	OTR0302	2.50	4.3	30.5	2.8	31.5	2.9	101	30.78	4	1.8
360	OTR0360	1.50	OTR0362	3.00	4.3	36.5	3.4	37.5	3.5	120	36.58	4.2	1.9
420	OTR0420	1.75	OTR0422	3.50	4.3	42.5	4.0	44.0	4.1	141	42.98	4.9	2.2
475	OTR0475	1.98	OTR0472	3.96	4.3	48.5	4.5	50.0	4.6	160	48.77	6	2.7
600	OTR0600	2.50	OTR0602	5.00	4.3	60.5	5.6	62.5	5.8	200	60.96	6.9	3.1
720	OTR0720	3.00	OTR0722	6.00	4.3	72.5	6.7	75.0	7.0	240	73.15	7.9	3.6
840	OTR0840	3.50	OTR0842	7.00	4.3	84.5	7.9	87.5	8.1	280	85.34	8.7	4
960	OTR0960	4.00	OTR0962	8.00	4.3	96.5	9.0	100.0	9.3	320	97.54	9.3	4.2
1080	OTR1080	4.50	-	-	4.3	109.0	10.1	112.5	10.5	360	109.73	10	4.6
1140	-	-	OTR1142	9.5	4.3	115	10.66	119	11.03	380	115.82	11.6	5.2
1200	OTR1200	5.00	-	-	4.3	121.0	11.2	125.0	11.6	400	121.92	11	5
1320	-	-	OTR1322	11.00	4.3	133	12.35	137.5	12.77	440	134.11	13.7	6.2
1440	OTR1440	6.00	-	-	4.3	145.0	13.5	150.0	13.9	480	146.30	13	5.9
1450	-	-	OTR1452	12.00	4.3	145	13.5	150	13.9	480	146.30	16	7.2
1500	-	-	OTR1502	12.50	4.3	151	14	156.5	14.5	500	152.40	17.4	7.9
1600	OTR1600	6.67	-	-	4.3	169.0	15.7	175.0	16.3	560	170.69	15	6.8
1680	-	-	OTR1682	14.00	4.3	169.5	15.7	175	16.3	560	170.69	20.3	9.1
1920	OTR1920	8.00	-	-	4.3	193.5	18.0	200.0	18.6	640	195.07	18	8.2
2280	OTR2280	9.50	-	-	4.3	229.5	21.3	237.5	22.1	760	231.65	22	10
2640	OTR2640	11.00	-	11.00	4.3	266.0	24.7	275.0	25.5	880	268.22	26	11.8
2900	OTR2900	12.08	-	12.00	4.3	292.5	27.2	302.5	28.1	968	295.04	30	13.6
3000	OTR3000	12.50	-	12.50	4.3	302.0	28.1	312.5	29.0	1000	304.80	31	14
3360	OTR3360	14.00	-	-	4.3	338.5	31.4	350	32.5	1120	341.38	36.9	16.8

¹ Does not represent the surface of the room but rather the surface covered by the floor heating system, excluding fixtures and other spaces to consider.

² The color of the mesh may be different.

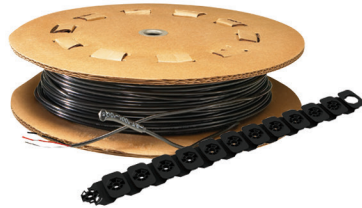
³ Spacing with the NACM membrane when the cable is installed with 3 spacing castellations.

208V = 75% of wattage at 240V.

15' (4.6 m) floor sensor and 10' (3 m) cold lead included.

OWF-R

Floor Heating Cable for Installation with Strapping



Features

Voltage

- 120V, 240/208V, 1-phase.

Cold lead length

- 10' (3 m).

Construction

- Heating cable made of a twin conductor for a simpler and faster installation, with negligible magnetic field.

Watt density

- 12W/sq. ft. (130W/sq. m), 3" (76 mm) spacing.
- 9W/sq. ft. (100W/sq. m), 4" (102 mm) spacing.

Included materials

- Plastic strapping.
- 15' (4.6 m) floor sensor.
- Measurements table label (to be placed in electrical panel).

Installation

- **Never cut or shorten the heating cable.**
- For indoor applications only.
- On concrete slab or plywood subfloor.

Control

- Two types of control method possible (see instruction manual for details):
 - Surface heating control with electronic thermostat in floor mode (F) and temperature sensor.
 - Ambient heating control with electronic thermostat in ambient mode with floor limit (A or AF) and temperature sensor.

Note: A ground fault circuit interrupter (GFCI) must be used with this heating device unless exempted by the applicable national and/or local electrical code for the area of installation.

Warranty

- 25-year warranty on the heating cable.

Application

- Kitchen, bathroom, entrance way, family room, living room.

OWF-R

Models

Watts	Product # Strapping included ¹ 240/208V	Product # Strapping included ¹ 120V	Cable Diameter (mm)	Covered Surface Depending on Spacing ²				Cable length		Strapping length included (ft.)	Weight	
				3" (76 mm)		4" (102 mm)		ft.	m		lb	kg
				12W/sq. ft.	130W/sq. m	9W/sq. ft.	100W/sq. m					
85	-	OWF-R0082	4.3	8	0.7	11	1.0	32	9.75	25	-	-
120	-	OWF-R0122	4.3	10	0.9	13	1.2	40	12.19	25	-	-
150	-	OWF-R0152	4.3	13	1.2	17	1.6	53	16.15	25	-	-
170	OWF-R0170	OWF-R0172	4.3	15	1.4	20	1.9	61	18.59	25	-	-
240	OWF-R0240	OWF-R0242	4.3	20	1.9	27	2.5	80	24.38	25	-	-
300	OWF-R0300	OWF-R0302	4.3	25	2.3	33	3.1	101	30.78	25	-	-
360	OWF-R0360	OWF-R0362	4.3	30	2.8	40	3.7	120	36.58	50	-	-
420	OWF-R0420	OWF-R0422	4.3	35	3.3	47	4.3	141	42.98	50	-	-
475	OWF-R0475	OWF-R0472	4.3	40	3.7	53	5.0	160	48.76	50	-	-
600	OWF-R0600	OWF-R0602	4.3	50	4.6	67	6.2	200	60.96	50	-	-
720	OWF-R0720	OWF-R0722	4.3	60	5.6	80	7.4	240	73.15	75	-	-
840	OWF-R0840	OWF-R0842	4.3	70	6.5	93	8.7	280	85.34	75	-	-
960	OWF-R0960	OWF-R0962	4.3	80	7.4	107	9.9	320	97.54	75	-	-
1080	OWF-R1080	-	4.3	90	8.4	120	11.2	360	109.73	100	-	-
1140	-	OWF-R1142	4.3	95	8.8	127	11.7	380	115.82	100	-	-
1200	OWF-R1200	-	4.3	100	9.3	133	12.4	400	121.92	100	-	-
1320	-	OWF-R1322	4.3	110	10.2	147	13.6	440	134.11	100	-	-
1440	OWF-R1440	-	4.3	120	11.1	160	14.9	480	146.30	100	-	-
1450	-	OWF-R1452	4.3	120	11.1	160	14.8	480	146.30	100	-	-
1500	-	OWF-R1502	4.3	125	11.6	167	15.5	500	152.40	125	-	-
1600	OWF-R1600	-	4.3	140	13.0	187	17.4	560	170.69	125	-	-
1680	-	OWF-R1682	4.3	140	13.0	187	17.4	560	170.69	125	-	-
1920	OWF-R1920	-	4.3	160	14.9	213	19.8	640	195.07	125	-	-
2280	OWF-R2280	-	4.3	190	17.7	253	23.6	760	231.64	150	-	-
2640	OWF-R2640	-	4.3	220	20.4	293	27.2	880	268.22	200	-	-
2900	OWF-R2900	-	4.3	242	22.5	323	30.0	968	295.04	200	-	-
3000	OWF-R3000	-	4.3	250	23.2	333	30.9	1000	304.80	200	-	-
3360	OWF-R3360	-	4.3	280	26.0	374	34.7	1120	341.38	200	-	-

¹ Strapping included. The length of plastic strapping included is based on a square room with strapping every 24" (610 mm).

² Does not represent the surface of the room but rather the surface covered by the floor heating system, excluding fixtures and other spaces to consider. 15' (4.6 m) floor sensor and 10' (3 m) cold lead included.

Options

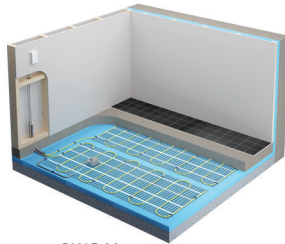
Product # Kit	Description
OTM-CC	CableCheck - Electrical fault indicator
KIT-SP1	Repair kit
KIT-CBL-G25	25 ft. (7.6 m) plastic strapping
KIT-CBL-SN	15 ft. (4.6 m) floor sensor

OWC-M

OWC-R

Heating Cable for Concrete on Mat

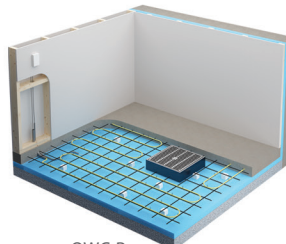
Heating Cable for Concrete in Reel



OWC-M:
Installation under a
4" to 6" concrete slab



OWC-M:
Installation under a
1.5" to 4" concrete topping



OWC-R:
Installation on a
metallic structure
or wire mesh



Training available online www.ouellet.com



Features

Cold lead length

- 8' 2" (2.5 m) cold lead included.
- Optional 50' (15 m) cold lead available upon request.

Control

- Two types of control method possible (see instruction manual for details):
 - Surface heating control with electronic thermostat in floor mode (F) and temperature sensor.
 - Ambient heating control with electronic thermostat in ambient mode with floor limit (A or AF) and temperature sensor.

Note: A ground fault circuit interrupter (GFCI) must be used with this heating device unless exempted by the applicable national and/or local electrical code for the area of installation.

Included materials

- 15' (4.6 m) temperature sensor.
- Measurements table label (to be placed in electrical panel).

Installation

- Never cut or shorten the heating cable.
- For indoor applications only, residential or commercial.
- Installs under a 4" to 6" (10 cm to 15 cm) concrete slab or under a 1.5" to 4" concrete topping (4 cm to 10 cm).

Note: It's highly recommended to insulate the concrete slab in order to avoid heat loss from below (see instruction manual for all installation details).

- Compatible with most floor coverings (check with the dealer or manufacturer).

Warranty

- 20-year warranty on the heating cable.

Application

- Basement, garage, bathroom, kitchen, family room, workshop, pool, shower, entrance way, hospital, hotel, factory, business, restaurant, sunroom, greenhouse, buildings used for housing animals.

OWC-M Features

Voltage

- 240/208V, 347V, 1-phase.

Construction

- Twin conductor heating cable attached to a plastic mat with negligible magnetic field.
- Factory installed on mat at 6" (15 cm) spacing

Watt density

- 11W/sq. ft. (120W/sq. m).

Dimension

- 24" (0.6 m) wide mat available in several lengths.

Included materials

- Plastic floor fasteners (WC-CLP).

Installation

- Installation with or without metallic structure for reinforced concrete.

OWC-R Features

Voltage

- 240/208V, 1-phase.

Construction

- Twin conductor heating cable with negligible magnetic field.

Watt density

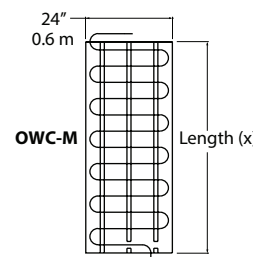
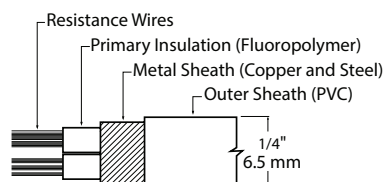
- 11W/sq. ft. (120W/sq. m).

Included materials

- Nylon ties.

Installation

- Requires a metallic structure or wire mesh for installing the heating cable in reinforced concrete..



Models OWC-M

Watts	Product # 240/208V	Amp. 240V	Covered Surface ¹		Length (x)		Weight	
			sq. ft.	sq. m	ft. in.	m	lb	kg
150	OWC-M0150	0.625	14.0	1.3	6' 5"	1.9	3.0	1.4
200	OWC-M0200	0.833	19.0	1.7	8' 4"	2.5	3.7	1.7
300	OWC-M0300	1.250	28.0	2.6	12' 6"	3.8	4.0	1.8
400	OWC-M0400	1.670	38.0	3.5	16' 8"	5.1	4.5	2.0
500	OWC-M0500	2.080	46.5	4.3	20' 10"	6.4	5.0	2.3
600	OWC-M0600	2.500	56.0	5.2	25'	7.6	6.0	2.7
700	OWC-M0700	2.920	65.5	6.1	29' 2"	8.9	7.0	3.1
850	OWC-M0850	3.540	80.0	7.4	35' 5"	10.8	8.0	3.6
950	OWC-M0950	3.960	89.0	8.3	39' 7"	12.1	9.0	4.0
1100	OWC-M1100	4.580	103.0	9.6	45' 10"	14.0	10.0	4.5
1200	OWC-M1200	5.000	113.0	10.5	50'	15.2	11.0	5.0
1300	OWC-M1300	5.420	121.5	11.3	54' 2"	16.5	12.0	5.4
1400	OWC-M1400	5.833	130.5	12.1	58' 4"	17.8	13.0	6.0
1500	OWC-M1500	6.250	140.5	13.1	62' 6"	19.1	14.0	6.4
1600	OWC-M1600	6.667	149.5	13.9	66' 8"	20.3	15.0	6.8
1700	OWC-M1700	7.080	159.0	14.8	70' 10"	21.6	16.0	7.2
1850	OWC-M1850	7.708	172.5	16.0	77' 1"	23.5	17.0	7.8
2000	OWC-M2000	8.330	187.5	17.4	83' 4"	25.4	18.0	8.1
2200	OWC-M2200	9.170	206.0	19.1	91' 6"	27.9	21.0	9.5
2400	OWC-M2400	10.000	225.0	20.9	100'	30.5	23.0	10.4
2550	OWC-M2550	10.630	239.0	22.2	106' 6"	32.5	25.0	11.3
2700	OWC-M2700	11.250	253.0	23.5	112' 6"	34.3	28.0	12.7
2850	OWC-M2850	11.880	267.0	24.8	119'	36.3	30.0	13.6
3000	OWC-M3000	12.500	281.0	26.1	125'	38.1	32.0	14.5
3200	OWC-M3200	13.330	300.0	27.9	133' 6"	40.7	34.0	15.4
3400	OWC-M3400	14.170	318.5	29.6	141' 8"	43.2	36.0	16.3
3600	OWC-M3600	15.000	336.0	31.2	150'	45.7	38.0	17.2

¹ Does not represent the room surface but rather the area covered by the cable mat including 3" (7.5 cm) spacing between the mat strips but excluding fixed elements to be bypassed and any other required clearances.
208V = 75% of wattage at 240V.

Models OWC-R

Watts	Product # 240/208V	Covered Surface ¹ Spacing 6" (15 cm)		Cable Length		Weight	
		sq. ft.	sq. m	ft.	m	lb	kg
300	OWC-R0300	28.0	2.6	56	17.07	4.0	1.8
500	OWC-R0500	46.5	4.3	93	28.35	5.0	2.3
700	OWC-R0700	62.5	5.8	125	38.10	7.0	3.1
950	OWC-R0950	88.0	8.2	176	53.64	9.0	4.0
1300	OWC-R1300	125.0	11.6	250	76.20	12.0	5.4
1700	OWC-R1700	156.0	14.5	312	95.10	16.0	7.2
2000	OWC-R2000	187.0	17.4	374	114.00	18.0	8.1
2400	OWC-R2400	218.5	20.3	437	133.20	23.0	10.4
3000	OWC-R3000	279.5	26.0	559	170.38	32.0	14.5
3400	OWC-R3400	312.5	29.03	625	190.50	36.0	16.3
3700	OWC-R3700 ²	341.0	31.7	682	207.87	39.0	17.7
4000	OWC-R4000 ²	372.5	34.6	745	227.08	42.0	19.0

¹ Does not represent the room surface but rather the area covered by the cable while leaving a 6" (15 cm) spacing between cables and excluding fixed elements to be bypassed and any other clearance required.

² Not compatible with a floor heating thermostat rated for 15A and less. Requires relay with low voltage thermostat.

208V = 75% of wattage at 240V.

OWC-M and OWC-R Options

Product # Kit	Product # Factory installed*	Description
OTM-CC ¹	-	CableCheck – Electrical indicator
KIT-WC-CLP	-	Bag of 50 plastic floor fasteners for heating cable on mat
KIT-SP2	-	Repair kit
-	-50 ²	Optional 50' (15 m) cold lead

GFCI control panel with contactors and 24V control transformer

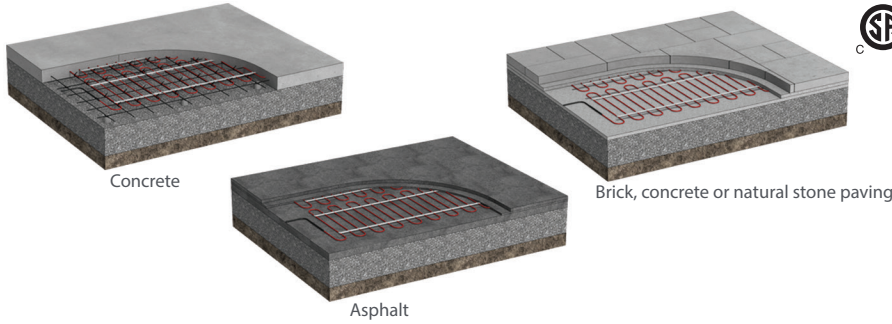
Product # Kit	H x W x D (in.)	Description	Product # Kit	H x W x D (in.)	Description
WC-2CIR-208	16x14x8	2 circuits 208V 30A	WC-3CIR-347-347	16x14x8	3 circuits 347V 24A
WC-4CIR-208	20x16x8	4 circuits 208V 30A	WC-6CIR-347-347	20x16x8	6 circuits 347V 24A
WC-6CIR-208	20x16x8	6 circuits 208V 30A	WC-9CIR-600-347	30x24x8	9 circuits 600V 24A
WC-8CIR-208	24x24x8	8 circuits 208V 30A	WC-12CIR-600-347	30x24x8	12 circuits 600V 24vA
WC-10CIR-208	24x24x8	10 circuits 208V 30A			
WC-12CIR-208	24x24x8	12 circuits 208V 30A			
WC-2CIR-240	16x14x8	2 circuits 240V 30A			
WC-4CIR-240	20x16x8	4 circuits 240V 30A			
WC-6CIR-240	24x20x8	6 circuits 240V 30A			
WC-8CIR-240	24x20x8	8 circuits 240V 30A			
WC-10CIR-240	24x24x8	10 circuits 240V 30A			
WC-12CIR-240	24x24x8	12 circuits 240V 30A			

* For factory installed options, add the option number to the product number. See the **Product Code** section inside the front cover.

¹ With any OWC order, the accessory OTM-CC can be added free of charge upon customer request.

² Made to order only. Allow additional 9 to 12 weeks lead time.

OWS-T Heating Cable for Snow Melting on Mat



Features

Voltage

- 208V, 240V, 1-phase.

Construction

- Series heating cable set, twin conductor type.
- Heating cable held as a mat at regular 3" (76 mm) spacing with flexible strips.
- Fluoropolymer/ XLPE resistance wire insulation 0.019" (0.5 mm) thick.
- Copper shielding (0.823 sq. mm), serves as ground.
- Polyolefin (EPR) outer sheath insulation 0.08" (2 mm) thick.

Watt density

- 50W/sq. ft. (538W/sq. m) at 208V and 240V, 3" (76 mm) spacing.

Dimension

- 24" (610 mm) and 36" (914 mm) wide mats offered in several lengths.

Cold lead

- 50' (15 m) long.
- Optional 100' (30 m) cold lead available upon request.
- 12 AWG or 14 AWG (according to maximum allowable load).
- PVC outer sheath insulation 0.03" (0.76 mm) thick.
- 3/8" (9.5 mm) outer diameter.

Included materials

- Measurements table label (to be placed in electrical panel).

Installation

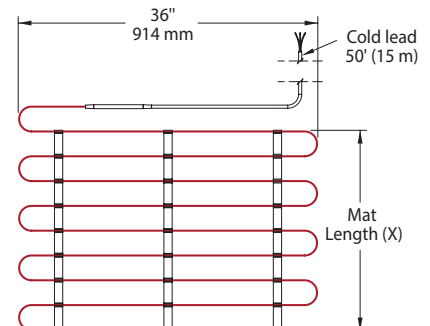
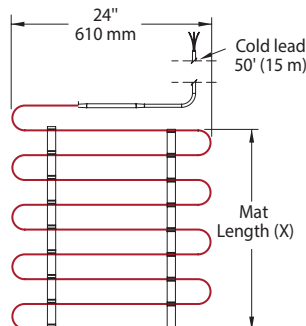
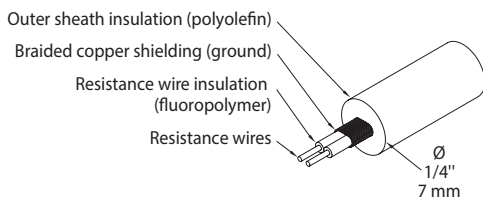
- **Never cut or shorten the heating cable.**
- For outdoor applications only.
- The heating cable must be completely embedded in concrete, asphalt or stone dust under paving.
- Minimum installation temperature -5 °C (23 °F).
- Maximum long-term exposure temperature 105 °C (221 °F).
- Maximum exposure temperature for 10 minutes 220 °C (428 °F).

Warranty

- 10-year warranty on the heating cable.

Application

- Residential driveway, sidewalk, access ramp, underground parking ramp, boarding platforms for animals.



OWS-T

OWS-T 24 in. (610 mm) Wide Models

Watts	Product #				Covered surface ¹		Mat length (X)		Cable length ²		Weight	
	208V	AMP	240V	AMP	sq. ft.	sq. m	ft.	m	ft.	m	lb	kg
500	OWS-T0508-24	2.40	OWS-T0500-24	2.08	11.0	1.0	5	1.5	43	13.1	3.0	1.4
1000	OWS-T1008-24	4.81	OWS-T1000-24	4.17	22.0	2.0	10	3.0	86	26.2	5.0	2.3
1500	OWS-T1508-24	7.21	OWS-T1500-24	6.25	32.5	3.0	15	4.6	128	39.0	7.0	3.2
2000	OWS-T2008-24	9.62	OWS-T2000-24	8.33	43.5	4.0	20	6.1	171	52.1	10.0	4.5
2500	OWS-T2508-24	12.02	OWS-T2500-24	10.42	54.0	5.0	25	7.6	214	65.2	12.5	5.7
3000	OWS-T3008-24	14.42	OWS-T3000-24	12.50	65.0	6.0	30	9.1	257	78.4	15.0	6.8
4000	OWS-T4008-24	19.23	OWS-T4000-24	16.67	86.5	8.1	40	12.2	342	104.3	20.0	9.1
5000	OWS-T5008-24	24.04	OWS-T5000-24	20.83	108.5	10.1	50	15.2	428	130.5	25.0	11.4
6000	-	-	OWS-T6000-24	25.00	130.0	12.1	60	18.3	513	156.4	30.0	13.6

OWS-T 36 in. (914 mm) Wide Models

Watts	Product #				Covered surface ¹		Mat length (X)		Cable length ²		Weight	
	208V	AMP	240V	AMP	sq. ft.	sq. m	ft.	m	ft.	m	lb	kg
450	OWS-T0458-36	2.16	OWS-T0450-36	1.88	9.5	0.9	3	0.9	38	11.6	2.5	1.1
750	OWS-T0758-36	3.61	OWS-T0750-36	3.13	16.0	1.5	5	1.5	63	19.2	3.5	1.6
1050	OWS-T1058-36	5.05	OWS-T1050-36	4.38	22.0	2.0	7	2.1	88	26.8	5.0	2.3
1500	OWS-T1508-36	7.21	OWS-T1500-36	6.25	31.5	2.9	10	3.0	126	38.4	8.0	3.6
3000	OWS-T3008-36	14.42	OWS-T3000-36	12.50	63.5	5.9	20	6.1	251	76.5	15.0	6.8
4500	OWS-T4508-36	21.63	OWS-T4500-36	18.75	95.0	8.8	30	9.1	377	114.9	22.5	10.2
6000	-	-	OWS-T6000-36	25.00	126.5	11.8	40	12.2	502	153.0	30.0	13.6

Installation Options

Product # Kit	Product # Factory installed*	Description
OTM-CC ³	-	CableCheck – Electrical fault indicator
OW-G82-G	-	82 ft. galvanized steel strapping
KIT-SP2	-	Repair kit
KIT-SP4	-	Extreme case repair kit
-	100 ⁴	Optional 100' (30 m) cold lead
OWS-CAUT	-	Caution plate

* For factory installed options, add the option number to the product number. See the **Product Code** section inside the front cover.

¹ Represents the area covered by the mat including 3" (76 mm) spacing between the mat strips but excluding fixed elements to be bypassed and any other required clearances.

² Represents the total length of the heating cable if it is detached from the flexible strips.

³ With any OWS-T order, the accessory OTM-CC can be added free of charge upon customer request.

⁴ Made to order only. Allow additional 9 to 12 weeks lead time.

Controller and Sensor Options

Product # Kit	Description
DS-2C ¹	Aerial mounted controller with sensor to detect humidity and temperature, 30A: 100V to 277V, 20A: 28VDC
ETF-744-99	24V outdoor sensor for measuring temperature
ETO2 ¹	Dual-zone electronic controller, 1-zone: 3 x 16A, 2-zone: 2 x 16A, 120V to 240V
ETO2-BOX	Mounting box for dual-zone electronic controller ETO2
ETOG	Ground sensor to detect humidity and temperature with 33 ft. (10 m) side entry cable
ETOG-56	Ground sensor to detect humidity and temperature with 80 ft. (25 m) bottom entry cable
ETOK-1	Mounting tube for ground sensor ETOG-56
ETOR-55	Gutter sensor to detect humidity with 33 ft. (10 m) cable

GFCI control panel with contactors built-in ETO2 and 120+24V control transformers

Product # Kit	H x W x D (in.)	Description	Product # Kit	H x W x D (in.)	Description
WS-4CIR-208	20x16x8	4 circuits 208V 30A	WS-3CIR-600-600	24x24x8	3 circuits 600V 24A
WS-6CIR-208	24x20x8	6 circuits 208V 30A	WS-6CIR-600-600	30x24x8	6 circuits 600V 24A
WS-8CIR-208	24x24x8	8 circuits 208V 30A	WS-9CIR-600-600	30x24x8	9 circuits 600V 24A
WS-12CIR-208	30x24x8	12 circuits 208V 30A	WS-12CIR-600-600	30x30x8	12 circuits 600V 24A
WS-4CIR-240	20x16x8	4 circuits 240V 30A	WS-15CIR-600-600	36x30x10	15 circuits 600V 24A
WS-6CIR-240	24x20x8	6 circuits 240V 30A			
WS-8CIR-240	24x24x8	8 circuits 240V 30A			
WS-12CIR-240	30x24x8	12 circuits 240V 30A			

¹ Requires a ground fault circuit interrupter (GFCI) in the electrical panel.

OSR-PI 120V Preassembled Self-Regulating Heating Cable for Pipe Tracing for Freeze Protection and Roof and Gutter De-icing



Features

Nominal voltage

- 120V.

Cold lead length

- 36" (0.9 m).

Outer jacket

- Thermoplastic.

Bus wire

- Nickel plated copper.

Maximum operating temperature (power on)

- 60 °C (140 °F).

Maximum continuous exposure temperature (power off)

- 80 °C (176 °F).

Cable section

- 14.1 mm X 5.6 mm.

Bending radius, minimum

- 25 mm (1 in.).

Included hardware

- Grounded 3-pronged plug with indicator light to show when the cable is on.

Installation

- Never cut or shorten the heating cable
- Installation accessories sold separately.

Minimum installation and start-up temperature

- -25 °C (-13 °F).

Standards

- CSA C22.2.130.03; -WS.
- CAN/CSA 60079-7:12, 60079-0-11.
- ANSI/IEEE 515, 515.

Certification

- CSA C US 2547790

Rating

- Wet rated, for outdoor use (WS).

Warranty

- 1-year basic warranty on the heating cable.

Application

- Freeze protection, roof and gutter, pipes.

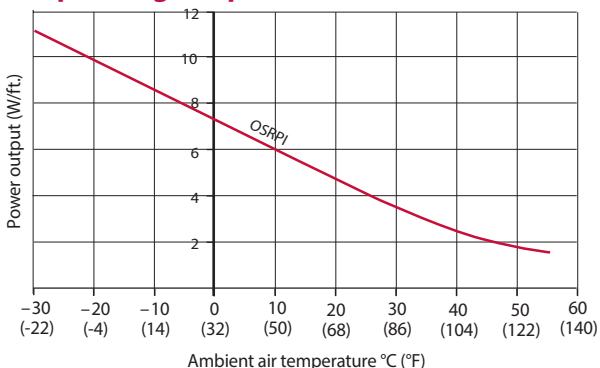
Models

Product # ¹	Length		Nominal power output in air condition at 5 °C (40 °F) ²
	ft.	m	
ECK-7AO-006	6	1.8	42
ECK-7AO-012	12	3.6	84
ECK-7AO-018	18	5.5	126
ECK-7AO-025	25	7.6	175
ECK-7AO-050	50	15.2	350
ECK-7AO-075	75	22.9	525
ECK-7AO-100	100	30.5	700

¹ Must be plugged into a 120V outlet fitted with ground fault protection device (GFCI).

² Because of the cable's self-regulating properties, the power density can reach up to 11 Watts per foot when buried in snow or ice: "wet density". In this situation, use of a 15 Amp. circuit breaker is valid for all models.

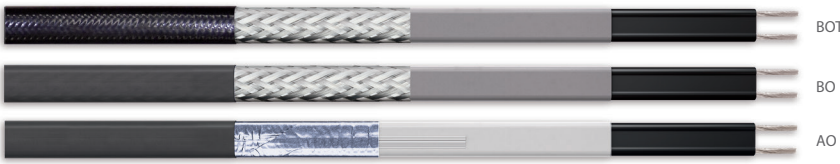
Linear power output in air condition according to operating temperature



Options

Product #	Description
Kit	
Roof and gutter	
ELB-20	Downspout 90 ° mounting plate
ELB-21	Gutter mounting plate
ELB-RCLIP-B	Roof clips black anodized, package of 25
Pipe tracing	
ELB-02B	Self-adhesive glass fiber tape, max. temp. = 90 °C (194 °F), 50 m (165 ft.)
ELB-06C	Self-adhesive aluminum tape, max. temp. = 80 °C (176 °F), 50 m (165 ft.)

OSR-NA All Purpose Self-Regulating Heating Cable ELSR-NA



Features

Outer jacket

- Thermoplastic (AO, BO), Fluoropolymer (BOT).

Bus wire

- Nickel plated copper, 16 AWG.

Minimum start-up temperature

- -30 °C (-22 °F).

Maximum operating temperature (power on)

- 60 °C (140 °F).

Maximum continuous exposure temperature (power off)

- 80 °C (176 °F).

Nominal voltage

- 120V, 240/208V, 277V.

Bending radius, minimum

- 25 mm (1 in.).

Installation temperature, minimum

- AO, BO: -45 °C (-45 °F).
- BOT: -25 °C (-13 °F).

Classification

- T 80 °C Db.
- Class I Division 1, Groups A, B, C, D (Contact manufacturer).
- Class I, Division 2, Groups A, B, C, D.
- Class II Division 1 Groups E, F, G (Contact manufacturer).
- Class II, Division 2, Groups E, F, G.
- Class III Division 1, T6.
- Zone 1, AEx 60079-30-1 IIC T6 Gb.
- Zone 1, Ex 60079-30-1 IIC T6 Gb.

Standards

- CSA C22.2.130.03; -WS.
- CAN/CSA 60079-7:12, 60079-0-11.
- ANSI/IEEE 515, 515.
- IEC/IEEE 60079-30-1.
- IEEE 515/CSA 22.2 130-16.
- ANSI/UL 60079-30-1.

Certification

- IECEx EPS 12.0006U.
- 12ATEX1431U.
- CSA C US 2547790.
- FM22US0062X.
- FM22CA0044X.
- CSA C US 2547790.

Rating

- Wet rated, for outdoor use (WS).

Warranty

- 1-year basic warranty on the heating cable.

Application

- Freeze protection, heat tracing instrumentation, pipes, vessel and tanks, chemical and petrochemical industries, food processing, automotive, roof and gutter, sprinkler systems.

Models

Nominal Output W/ft.	Product # ^{1,3} 120V	Outer jacket/Mechanical shield			Nominal Output W/ft.	Product # ^{1,2,3} 240V - 277V	Outer jacket/Mechanical shield			Cable dimension approx. (mm)
		AO	BO	BOT			AO	BO	BOT	
3	ELSR-NA-3-1-XX	✓	✓	✓	4	ELSR-NA-4-2-XX	-	-	✓	13.8 x 5.6
5	ELSR-NA-5-1-XX	✓	✓	✓	6	ELSR-NA-6-2-XX	✓	✓	✓	13.8 x 5.6
7	ELSR-NA-7-1-XX	✓	✓	✓	8	ELSR-NA-8-2-XX	✓	✓	✓	14.1 x 5.6
-	-	-	-	-	10	ELSR-NA-10-2-XX	✓	✓	✓	14.1 x 5.6

¹ XX = Outer jacket/Mechanical shield.

AO Aluminum foil and a thermoplastic outer jacket.

BO Protective braid and a thermoplastic outer jacket.

BOT Protective braid and a fluoropolymer outer jacket.

² For operations at 208V, please consult Correction Factors/Multipliers at next page.

³ When ordering, the quantity on the purchase order is equal to the length in feet of the cable required.

E.g.: To order a 500 ft. cable, write 500 for quantity with product code.

Custom cutting service available for all lengths other than 500 ft. and 1000 ft. (minimum of 25 ft.).

Options

See OSR Options and Controls section

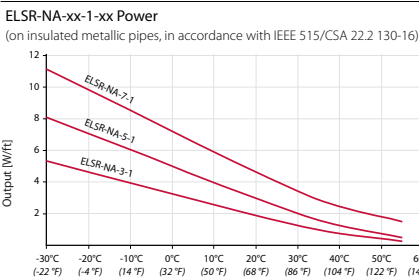
Heating circuit length for ELSR-NA models

Start-up temperature	CB capacity (A)	Maximum heating circuit (ft.) for											
		120V			240V				277V				
		ELSR-NA-3-1	ELSR-NA-5-1	ELSR-NA-7-1	ELSR-NA-4-2	ELSR-NA-6-2	ELSR-NA-8-2	ELSR-NA-10-2	ELSR-NA-4-2	ELSR-NA-6-2	ELSR-NA-8-2	ELSR-NA-10-2	
10 °C (50 °F)	10	164	125	82	253	151	109	79	218	125	105	71	
	15	246	187	123	380	227	164	118	327	188	158	107	
	20	328	249	164	507	303	219	157	436	251	212	142	
	25	337	274	205	597	378	273	197	514	313	264	178	
	30	337	274	222	597	454	328	236	514	376	317	213	
	35	337	274	222	597	470	383	275	514	389	370	248	
0 °C (32 °F)	40	337	274	222	597	470	422	315	514	389	408	284	
	10	147	112	75	227	137	100	73	195	114	97	66	
	15	221	168	113	341	205	150	110	294	170	145	99	
	20	295	224	151	455	273	200	147	392	226	193	133	
	25	337	274	188	568	342	250	183	489	283	242	165	
	30	337	274	222	597	410	300	220	514	340	290	199	
-10 °C (14 °F)	35	337	274	222	597	470	350	257	514	389	338	232	
	40	337	274	222	597	470	400	293	514	389	386	265	
	10	134	102	69	206	125	93	68	177	104	90	61	
	15	201	153	104	309	188	139	102	266	156	134	92	
	20	268	204	139	412	251	185	136	355	208	179	123	
	25	335	255	173	515	313	232	170	443	259	224	154	
-30 °C (-22 °F)	30	337	274	208	597	376	278	204	514	312	269	184	
	35	337	274	222	597	439	324	238	514	364	313	215	
	40	337	274	222	597	470	371	272	514	389	358	246	
	10	113	87	60	173	107	80	60	149	89	77	54	
	15	170	130	90	260	160	120	90	224	133	116	81	
	20	227	173	120	347	213	160	120	299	176	155	108	
-30 °C (-22 °F)	25	283	217	150	433	267	200	150	373	221	193	135	
	30	337	260	180	520	320	240	180	448	265	232	163	
	35	337	274	210	597	373	280	210	514	309	271	190	
	40	337	274	222	597	427	320	240	514	354	309	217	

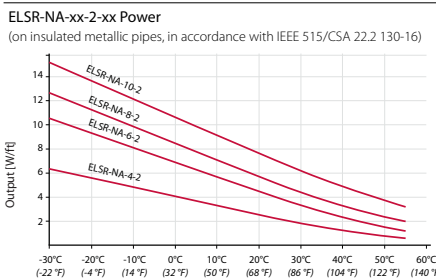
Maximum heating circuit ELSR-NA-XX on the following conditions:

- 120/240/277 Voltage
- MCB type QO (100% utilization)
- Voltage drop max. 10%
- Single cable fed 1 end

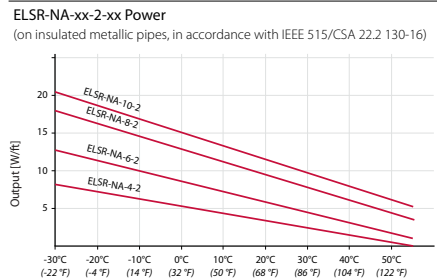
120 VAC



240 VAC



277 VAC



Eltherm® Correction Factors/Multipliers for Operation of Heating Cables in 208V

To calculate the corrected power output for operation in 208V, multiply the published output at 240V (in W/ft.) by the nominal output factor provided for the applicable heating cable type.

To calculate maximum heating circuit lengths for operation in 208V (tables provided in product data sheets), multiply the published max. heating circuit length at 240V provided for the applicable heating cable type.

Heating Cable Correction Factors/ Multipliers	Nominal Output 208V vs. 240V	Heating Circuit Length 208V vs. 240V
ELSR-NA-XX-2	0.88	1.00

Due to the cable's self-regulating properties, the power density increases when exposed to snow or ice.

Nominal power output when exposed to snow and ice

For model ELSR-NA-7-1-XX 120V cable

- In snow and ice**
 - 11W/ft. @ 50 °F (36W/m @ 10 °C)
- In dry air**
 - 7W/ft. @ 50 °F (23W/m @ 10 °C)

For model ELSR-NA-8-2-XX 240V cable

- In snow and ice**
 - 13W/ft. @ 50 °F (42W/m @ 10 °C)
- In dry air**
 - 8W/ft. @ 50 °F (26W/m @ 10 °C)

OSR-MA Micro Self-Regulating Heating Cable ELSR-MA



Features

Outer jacket

- Thermoplastic (AO, BO), Fluoropolymer (BF).

Bus wire

- Nickel plated copper, 18 AWG.

Minimum start-up temperature

- -30 °C (-22 °F).

Maximum operating temperature (power on)

- 60 °C (140 °F).

Maximum continuous exposure temperature (power off)

- 60 °C (140 °F).

Nominal voltage

- 120V, 240/208V.

Bending radius, minimum

- 25 mm (1 in.).

Installation temperature, minimum

- AO, BO: -45 °C (-49 °F).
- BF: -25 °C (-13 °F).

Standards

- IEEE 515, CSA 22.2 130.03.

Certification

- FM CUS 3050047.

Rating

- Wet rated, for outdoor use (WS) (AO, BO).
- PS (2000 kPa/290 psi) (BF).

Warranty

- 1-year basic warranty on the heating cable.

Application

- Heat tracing of metallic and non-metallic pipes, pumps, vessels and valves, food processing industry, automotive, refrigeration, sprinkler systems, sewage pipes, intake drain pipes, potable water line (BF).

Models

Nominal Output W/ft.	Product #		Outer jacket/Mechanical shield			Cable dimension approx. (mm)
	120V ^{1,3}	240V ^{1,2,3}	AO	BO	BF	
3	ELSR-MA-3-1-XX	ELSR-MA-3-2-XX	✓	✓	✓	7.7 x 6.4
5	ELSR-MA-5-1-XX	ELSR-MA-5-2-XX	✓	✓	-	8.1 x 5.8

¹XX = Outer jacket/Mechanical shield.

AO Aluminum foil and a thermoplastic outer jacket.

BO Protective braid and a thermoplastic outer jacket.

BF Protective braid, suitable for use in potable water (certified according to NSF/ANSI 61).

²For operations at 208V, please consult Correction Factors/Multipliers at next page.

³When ordering, the quantity on the purchase order is equal to the length in feet of the cable required.

E.g.: To order a 500 ft., cable, write 500 for quantity with product code.

Custom cutting service available for all lengths other than 500 ft. and 1000 ft. (minimum of 25 ft.).

Options

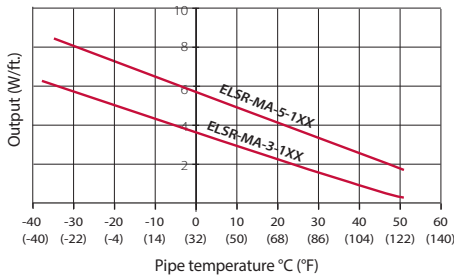
See OSR Options and Controls section

Heating circuit length for ELSR-MA models

120V				240V			
Start-up temperature	CB capacity (A)	Maximum heating circuit (ft.) for		Start-up temperature	CB capacity (A)	Maximum heating circuit (ft.) for	
		ELSR-MA-3-1-XX	ELSR-MA-5-1-XX			ELSR-MA-3-2-XX	ELSR-MA-5-2-XX
10 °C (50 °F)	10	208	132	10 °C (50 °F)	10	415	320
	15	233	190		15	415	346
	20	233	190		20	415	346
	25	233	190		25	415	346
0 °C (32 °F)	10	170	110	0 °C (32 °F)	10	379	273
	15	213	174		15	379	320
	20	213	174		20	379	320
	25	213	174		25	379	320
-10 °C (14 °F)	10	146	94	-10 °C (14 °F)	10	325	239
	15	197	150		15	349	299
	20	197	161		20	349	299
	25	197	161		25	349	299
-30 °C (-22 °F)	10	113	73	-30 °C (-22 °F)	10	255	190
	15	172	117		15	307	266
	20	172	141		20	307	266
	25	172	141		25	307	266

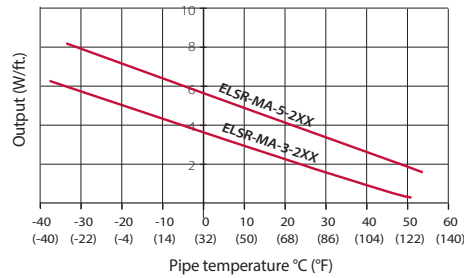
ELSR-MA-XX-1-XX output

(on insulated metallic pipes, in accordance with IEEE 515/CSA 22.2 130-03)



ELSR-MA-XX-2-XX output

(on insulated metallic pipes, in accordance with IEEE 515/CSA 22.2 130-03)



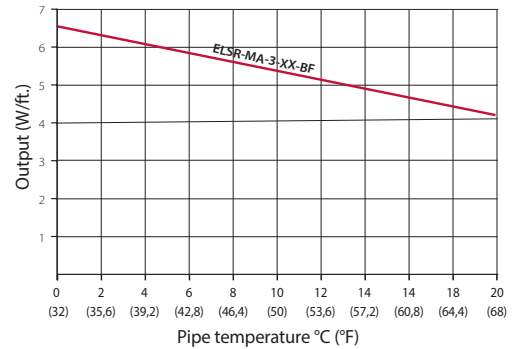
Heating circuit length for ELSR-MA-BF models

120V		
Start-up temperature	CB capacity (A)	Maximum heating circuit (ft.) for ELSR-MA-3-1-BF
10 °C (50 °F)	10	139
	15	167
	20	167
	25	167
0 °C (32 °F)	10	112
	15	153
	20	153
25	153	

240V		
Start-up temperature	CB capacity (A)	Maximum heating circuit (ft.) for ELSR-MA-3-2-BF
10 °C (50 °F)	10	241
	15	302
	20	302
	25	302
0 °C (32 °F)	10	202
	15	282
	20	282
25	282	

ELSR-MA-3-XX-BF

(in a filled water pipeline)



Maximum heating circuit ELSR-MA-XX on the following conditions:

- 120/240 Voltage
- Voltage drop max. 10%
- MCB type QO (100% utilization)
- Single cable fed 1 end

Eltherm® Correction Factors/Multipliers for Operation of Heating Cables in 208V

To calculate the corrected power output for operation in 208V, multiply the published output at 240V (in W/ft.) by the nominal output factor provided for the applicable heating cable type.

To calculate maximum heating circuit lengths for operation in 208V (tables provided in product data sheets), multiply the published max. heating circuit length at 240V provided for the applicable heating cable type.

Heating Cable Correction Factors/Multipliers	Nominal Output 208V vs. 240V	Heating Circuit Length 208V vs. 240V
ELSR-MA-XX-2	0.82	1.00

OSR-HA High Temperature Self-Regulating Heating Cable ELSR-HA



eltherm
innovations in heat tracing



Features

Outer jacket

- Fluoropolymer (BOT).

Bus wire

- Nickel plated copper, 16 AWG.

Minimum start-up temperature

- -30 °C (-22 °F).

Maximum operating temperature (power on)

- 120 °C (248 °F).

Maximum continuous exposure temperature (power off)

- 150 °C (302 °F), continuous.
- 200 °C (392 °F), power off for 1000 hr cumulative.

Nominal voltage

- 120V, 240/208V, 277V.

Bending radius, min.

- 25 mm (1 in.).

Installation temperature, min.

- AO, BO : -45 °C (-49 °F).
- BOT : -25 °C (-13 °F).

Classification

- T 200 °C Db.
- Class I Div 1, Groups A, B, C, D (Contact manufacturer).
- Class I, Division 2, Groups A, B, C, D.
- Class II Div 1 Groups E, F, G (Contact manufacturer).
- Class II, Division 2, Groups E, F, G.
- Class III Div 1, T2D/T3.
- Zone1, AEx 60079-30-1 IIC T2D/T3 Gb.
- Zone1, Ex 60079-30-1 IIC T2D/T3 Gb.

Standards

- CSA C22.2.130; -WS.
- CAN/CSA 60079-7:12, 60079-0-11
- ANSI/IEEE 515, 515.
- IEC/IEEE 60079-30-1.
- IEEE 515/CSA 22.2 130-16.
- UL 60079-30-1.

Certification

- IECEx EPS 12.0006U.
- 12ATEX1429U.
- CSA C US 2547790.
- FM22US0062X.
- FM22CA0044X..

Rating

- Wet rated, for outdoor use (WS).

Warranty

- 1-year basic warranty on the heating cable.

Application

- Freeze protection, heat tracing instrumentation, pipes, vessel and tanks, chemical and petrochemical industries, food processing, automotive.

Models

Nominal Output W/ft.	Product #		Outer jacket/Mechanical shield		Cable dimension approx. (mm)
	120V ^{1,3}	240V/277V ^{1,2,3}	BOT		
3	ELSR-HA-3-1-BOT	ELSR-HA-3-2-BOT	✓		12.4 x 5.9
7	ELSR-HA-7-1-BOT	ELSR-HA-7-2-BOT	✓		12.4 x 5.9
10	ELSR-HA-10-1-BOT	ELSR-HA-10-2-BOT	✓		12.4 x 5.9
15	ELSR-HA-15-1-BOT	ELSR-HA-15-2-BOT	✓		12.4 x 5.9
20	ELSR-HA-20-1-BOT	ELSR-HA-20-2-BOT	✓		12.4 x 5.9

¹ BOT Protective braid and a fluoropolymer outer jacket.

² For operations at 208V, please consult Correction Factors/Multipliers at next page.

³ When ordering, the quantity on the purchase order is equal to the length in feet of the cable required.

E.g.: To order a 500 ft., cable, write 500 for quantity with product code.

Custom cutting service available for all lengths other than 500 ft. and 1000 ft. (minimum of 25 ft.).

Options

See OSR Options and Controls section

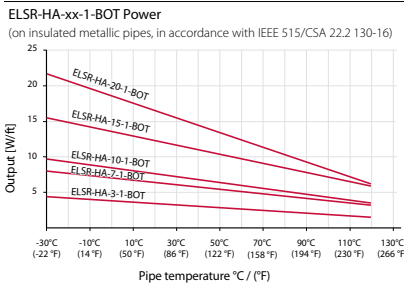
Heating circuit length for ELSR-HA models

Start-up temperature	CB capacity (A)	Maximum heating circuit (ft.) for														
		120V					240V					277V				
		ELSR-HA-3-1	ELSR-HA-7-1	ELSR-HA-10-1	ELSR-HA-15-1	ELSR-HA-20-1	ELSR-HA-3-2	ELSR-HA-7-2	ELSR-HA-10-2	ELSR-HA-15-2	ELSR-HA-20-2	ELSR-HA-3-2	ELSR-HA-7-2	ELSR-HA-10-2	ELSR-HA-15-2	ELSR-HA-20-2
10 °C (50 °F)	10	209	112	92	58	42	519	243	170	104	78	571	298	185	120	102
	15	307	167	138	86	63	697	365	255	156	117	856	447	276	180	153
	20	307	223	185	116	85	697	473	340	207	155	1115	596	368	240	204
	25	307	225	204	145	106	697	473	391	259	194	1115	744	461	300	255
	30	307	225	204	160	127	697	473	391	301	233	1115	847	553	360	306
	35	307	225	204	160	135	697	473	391	301	259	1115	847	645	420	357
0 °C (32 °F)	40	307	225	204	160	135	697	473	391	301	259	1115	847	730	479	408
	10	200	107	89	56	40	488	229	161	99	74	537	280	174	114	97
	15	300	161	133	83	60	697	343	242	149	110	805	420	261	172	145
	20	307	215	178	111	80	697	457	322	198	147	1074	560	348	229	193
	25	307	225	204	139	100	697	473	391	247	184	1115	700	436	286	242
	30	307	225	204	160	120	697	473	391	297	221	1115	840	522	343	290
-10 °C (14 °F)	35	307	225	204	160	135	697	473	391	301	258	1115	847	609	400	338
	40	307	225	204	160	135	697	473	391	301	259	1115	847	697	458	386
	10	192	103	86	54	38	461	216	153	94	70	507	265	165	109	91
	15	288	155	128	81	58	691	323	229	142	105	760	396	248	164	138
	20	307	207	170	107	76	697	431	306	189	140	1014	528	330	219	184
	25	307	225	204	134	95	697	473	382	237	175	1115	661	413	274	230
-30 °C (-22 °F)	30	307	225	204	160	114	697	473	391	284	210	1115	793	496	329	275
	35	307	225	204	160	134	697	473	391	301	245	1115	847	578	384	321
	40	307	225	204	160	135	697	473	391	301	259	1115	847	661	438	368
	10	178	97	79	50	34	414	194	138	87	64	456	237	150	101	84
	15	266	145	118	75	52	622	291	208	130	95	684	357	224	151	125
	20	307	194	158	100	70	697	388	278	174	127	912	475	299	201	167

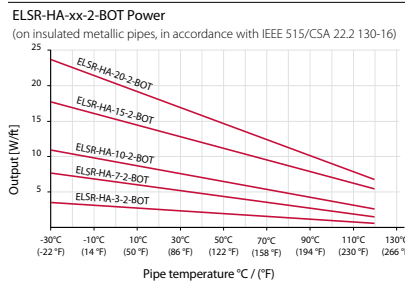
Maximum heating circuit ELSR-HA-XX on the following conditions:

- 120/240/277 Voltage
- Voltage drop max. 10%
- MCB type QO (100% utilization)
- Single cable fed 1 end

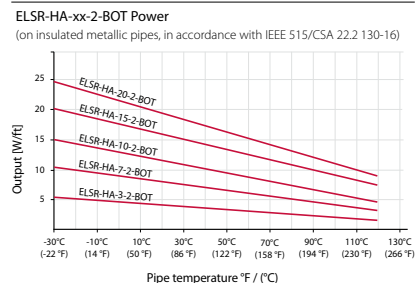
120 VAC



240 VAC



277 VAC



Eltherm® Correction Factors/Multipliers for Operation of Heating Cables in 208V

To calculate the corrected power output for operation in 208V, multiply the published output at 240V (in W/ft.) by the nominal output factor provided for the applicable heating cable type.

To calculate maximum heating circuit lengths for operation in 208V (tables provided in product data sheets), multiply the published max. heating circuit length at 240V provided for the applicable heating cable type.

Heating Cable Correction Factors/ Multipliers	Nominal Output 208V vs. 240V	Heating Circuit Length 208V vs. 240V
ELSR-HA-XX-2	0.74	1.00

OSR

Options

Product # Kit	Description
OSR-NA Series	
ECA-JB1	Junction box for single connection c/w label and fastener
ECA-JB2	Junction box for double connection c/w label and fastener
EL-CLIC-P	Quick connector with supply lead, for 1 to 3 cables
EL-CLIC-S	Quick connector for direct connection or cold lead connection of 1 to 3 cables
EL-ECN-EX ¹	End termination for ELSR-NA
EL-SPN-16	Heat shrink splice-kit suitable for ELSR-NA and cold lead connections
ELAK-3-7	Junction box with mounting stand for non-hazardous (ordinary) and hazardous locations
ECA-LSTK	Power connection and lighted termination kit
ELVB-SRAN	Power connection without cable gland
ELVB-SRAN-12-PA	Power connection with plastic/PA12 cable gland/fitting, 1/2" NPT, non-hazardous location
ELVB-SRAN-34-PA	Power connection with plastic/PA12 cable gland/fitting, 3/4" NPT, non-hazardous location
ELVB-SRAN-34-ST	Power connection with steel/zinc cable gland/fitting, 3/4" NPT, non-hazardous location
ELVB-SREX-34-HT ¹	Power connection with nickel plated cable gland, 3/4" NPT, hazardous location
ELVB-SREX-M20-HT ¹	Power connection with nickel plated cable gland, M20, hazardous location
EX-IT-LAG	End of line termination device with green LED light and termination kit. NEMA 4X for non-hazardous locations.
EX-IT-LAR	End of line termination device with red LED light and termination kit. NEMA 4X for non-hazardous locations.
KIT-OSR-DRD-120V	Roof drain de-icing kit with 50' of 120V 7w/ft. OSR-NA cable (ELSR-NA-7-1-BO)
KIT-OSR-DRD-240V	Roof drain de-icing kit with 50' of 240V 8w/ft. OSR-NA cable (ELSR-NA-8-2-BO)
KIT-OSR-ELSR-NA	End and power termination kit with warning sticker NA Series
OSR-MA Series (AO and BO outer jacket)	
EL-ECM ¹	End termination for ELSR-MA
ELVB-SRAM	Power connection without cable gland
ELVB-SRAM-34-ST	Power connection with steel/zinc cable gland/fitting, 3/4" NPT, non-hazardous location
KIT-OSR-ELSR-MA	End and power termination kit with warning sticker MA Series
OSR-MA Series (BF outer jacket)	
EL-ECMF ²	End termination for ELSR-MA-BF
ELVB-SRAM-34-ST	Power connection with steel/zinc cable gland/fitting, 3/4" NPT, non-hazardous location
KIT-OSR-ECA-MABF-PH-FIT	Brass gland cable fitting 3/4" NPT non-hazardous location for MA-BF cable
KIT-OSR-ELSR-MA-BF	End and power termination kit with warning sticker BF Series
KIT-OSR-MABF-PH-1-CTSOD ³	Quick connect plumbing kit for 1" OD polyethylene CTS pipes for MA-BF cable
KIT-OSR-MABF-PH-114-CTSOD ³	Quick connect plumbing kit for 1 1/4" OD polyethylene CTS pipes for MA-BF cable
KIT-OSR-MABF-PH-112-CTSOD ³	Quick connect plumbing kit for 1 1/2" OD polyethylene CTS pipes for MA-BF cable
KIT-OSR-MABF-PH-34-ID ³	Quick connect plumbing kit for 3/4" ID polyethylene pipes for MA-BF cable
KIT-OSR-MABF-PH-1-ID ³	Quick connect plumbing kit for 1" ID polyethylene pipes for MA-BF cable
KIT-OSR-MABF-PH-114-ID ³	Quick connect plumbing kit for 1 1/4" ID polyethylene pipes for MA-BF cable
KIT-OSR-MABF-PH-112-ID ³	Quick connect plumbing kit for 1 1/2" ID polyethylene pipes for MA-BF cable
OSR-HA Series	
ECA-JB1	Junction box for single connection c/w label and fastener
ECA-JB2	Junction box for double connection c/w label and fastener
EL-ECH-EX ¹	End termination for ELSR-HA
ELAK-3-7	Junction box with mounting stand for non-hazardous (ordinary) and hazardous locations
ECA-LSTK	Power connection and lighted termination kit
ELVB-SRAH	Power connection without cable gland
ELVB-SRAH-34-ST	Power connection with steel/zinc cable gland/fitting, 3/4" NPT, non-hazardous location
ELVB-SREX-34-HT ¹	Power connection with nickel plated cable gland, 3/4" NPT, hazardous location
ELVB-SREX-M20-HT ¹	Power connection with nickel plated cable gland, M20, hazardous location
EX-IT-LAG	End of line termination device with green LED light and termination kit. NEMA 4X for non-hazardous locations.
EX-IT-LAR	End of line termination device with red LED light and termination kit. NEMA 4X for non-hazardous locations.
KIT-OSR-ELSR-HA	End and power termination kit with warning sticker HA Series



EL-EC(x)



ECA-LSTK



ELVB-SRA(x)



ELVB-SRA(x)-34-ST



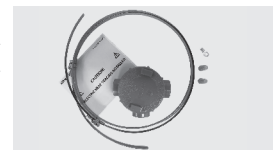
KIT-OSR-ELSR-(xx)



KIT-OSR-MABF-PH-(xx)-CTSOD



KIT-OSR-MABF-PH-(xx)-ID



ECA-JB1



EX-IT-LA(x)

¹ Minimum installation temperature -45 °C (-49 °F).

² Minimum installation temperature -13 °C (-25 °F).

³ Identifying the type of pipe is key to ensuring a simple and effective connection, Ouellet Canada is not responsible for incorrect pipe selection. No returns will be accepted.

Options

Product # Kit	Description
All OSR Series	
Multiple applications	
KIT-OSR-EL-WS03	Warning label/sign bilingual (English / French)
Roof and gutter	
ELB-20	Stainless steel downspout 90 ° mounting plate with nylon ties
ELB-21	Stainless steel gutter mounting plate with nylon ties
ELB-RCLIP-B	Roof clips black anodized, package of 25
Pipe tracing	
ELB-02B	Self-adhesive glass fiber tape, max. temp. = 90 °C (194 °F), 165 ft. (50 m)
ELB-06	Self-adhesive aluminum tape max. temp. 140 °C (284 °F) 165 ft. (50 m)
ELB-06C	Self-adhesive aluminum tape, max. temp. = 80 °C (176 °F), 165 ft. (50 m)

Controls

Product #	Description
Controller options for roof and gutter for de-icing	
DS-2C ¹	Aerial mounted controller with sensor to detect humidity and temperature, 30A: 100V to 277V, 20A: 28VDC
DS-8C ¹	Aerial mounted controller with sensor to detect temperature and a sensor to detect humidity with 10 ft. (3 m) cable, 30A, 100V to 277V
DS-9C ¹	Aerial mounted controller with sensor to detect temperature and a sensor to detect humidity with 10 ft. (3 m) cable, 2 x 30A, 100V to 277V
EX-50	50 ft. (15 m) extension kit, with connection fittings for humidity sensor
CDP-2	Interior controller and display for DS products
ETO2 ¹	Dual-zone electronic controller, 1-zone: 3 x 16A, 2-zone: 2 x 16A, 120V to 240V
ETF-744-99	24V outdoor sensor for measuring temperature
ETOR-55	Gutter sensor to detect humidity with 33 ft. (10 m) cable

Controller options for pipe tracing for use in non-hazardous (ordinary) locations

ECA-E55-R25HT ¹	SPDT, NEMA 4X thermostat in molded aluminum housing, 22A at 120/250/480V, with 10 ft. (3 m) stainless steel bulb and capillary
TRF115-005 ¹	SPDT, NEMA 4X thermostat, range -17 °C to 49 °C (0 °F to 120 °F), 25A at 120/208/240/277V, with 5 ft. (1.5 m) stainless steel bulb and capillary
TRF115-007 ¹	SPDT, NEMA 4X thermostat, range -35 °C to 38 °C (-30 °F to 100 °F), 25A at 120/208/240/277V, with 8 ft. (2.4 m) copper bulb and capillary
TF115-001 ¹	NEMA 4X thermostat 25A@120-277V c/w coiled air stainless bulb
TF115-023 ¹	NEMA 4X thermostat, range -34.4 °C to 37.7 °C (-30 °F to 100 °F), 25A@120-277V, with coiled air stainless bulb
ELTC-14-RTD ¹	Digital temperature control 20A at 90-260V, including 3-wire RTD (Pt-100) sensing element is 5 x 50 mm with 5 m of fluoropolymer lead wires, range 0 °C to 250 °C (32 °F to 482 °F). Suitable for used with GFPE panels
GPT-130	NEMA 4X IP66 electronic single point line sensing heat trace controller 100-277V, 30A c/w built-in 30 mA GFEP and 20 ft. (6 m) lead, 100k ohms at 25 °C(77 °F) thermistor. Range -40 °C to 110 °C (-40 °F to 230 °F)
S1-A	NEMA 4X IP67 electronic single point line sensing heat trace controller 100-277V, 30A c/w built-in 30 mA GFEP and 20' (6 m) lead, 10k ohms thermistor, Wi-Fi, Ethernet, Modbus and BACnet ³ capabilities
S1-B	NEMA 4X IP67 electronic single point line sensing heat trace controller 100-277V, 30A c/w built-in 30 mA GFEP and 20' (6 m) lead, 10k ohms thermistor, Wi-Fi, Ethernet
GATEWAY-PCKG	24VDC BACnet gateway assembly with power supply NEMA 4X enclosure with 24VDC transformer for S1 Series
GATEWAY	24VDC BACnet gateway stand alone for S1 Series

Controller options for pipe tracing for use in non-hazardous (ordinary) and hazardous locations

E121-13273 ¹	Explosion -proof NEMA 4X 7, 9 and IP66 epoxy painted die cast aluminum line sensing thermostat temperature control 120-480V, 22A, SPDT c/w 10 ft. (3 m) stainless steel capillary,
TM-1SIH1-E5-RTD-A1	TraceMate™ I GFCI electronic thermostat for single circuit at 120V, 30A
TM-1DIH2-E5-RTD-A1	TraceMate™ I GFCI electronic thermostat for single circuit at 240/208V, 30A
TM-2SIH1-E5-RTD	TraceMate™ II GFCI electronic thermostat for dual circuit at 120V, 2 x 30A
TM-2DIH2-E5-RTD	TraceMate™ II GFCI electronic thermostat for dual circuit at 240/208V, 2 x 30A
MS-2101 ²	MasterTrace Single circuit electronic GFCI controller with double pole, 85V to 300V, 30A, with user interface
MS-2102 ²	MasterTrace Double circuit electronic GFCI controller with single pole, 120V or 277V, 2 x 30A, with user interface
RTD-7	RTD probe for MasterTrace controller

Control panel options

SR-4CIR-240	4 circuits 240V 30A circuit GFEP control panel with contactors and 240-120V control transformer (HxWxD: 20x16x8 in.)
SR-6CIR-240	6 circuits 240V 30A circuit GFEP control panel with contactors and 240-120V control transformer (HxWxD: 20x16x8 in.)
SR-8CIR-240	8 circuits 240V 30A circuit GFEP control panel with contactors and 240-120V control transformer (HxWxD: 24x20x8 in.)
SR-12CIR-240	12 circuits 240V 30A circuit GFEP control panel with contactors and 240-120V control transformer (HxWxD: 24x24x8 in.)

¹ Requires a ground fault circuit interrupter (GFCI) in the electrical panel.

² Requires a RTD probe for MasterTrace controller (RTD-7).

³ BACnet IP or MS/TP available via preconfigured SMC gateway, sold separately.



ELK-MI Mineral Insulated (M.I.) Alloy 825 Cable Assembly



eltherm[®]
innovations in heat tracing



Features

Outer jacket

- Alloy 825.

Assembly components

- Alloy 825.

Bus wire

- Conductor type might vary depending on model (Nichrome, KP, Constantan, Alloy (30, 60, 90), Copper).

Cold lead length

- 6 ft. (1.8 m) cold lead includes 18 in. (45 cm) flexible cord.

Ambient temperature

- -60 °C to +60 °C (-76 °F to +140 °F).

Maximum operating temperature (power on)

- 700 °C (1292 °F).

Nominal voltage

- Up to 600V.

Bending radius, minimum

- Diameter x 6.

Installation temperature, minimum

- -60 °C (-76 °F).

Classification

- Class I, Division 2, Groups A, B, C, D.
- Class II, Division 1, Groups E, F, G.
- Class III, Division 1.
- Class I, Zone 1, AEx/Ex d e IIC T1...T6.

Standards

- CSA C22.2 130-16.
- UL 60079-30-1.

Certification

- FM 18 US0191X.
- FM 18 CA0089X.

Rating

- Moisture proof, may be immersed in fluids.

Warranty

- 1-year basic warranty on the heating cable.

Application

- Temperature maintenance, silos, vessels, tanks, pipelines, chemical and petrochemical industries, oil and gas industry, industrial processes, mobile processing facilities, vacuum processes, freeze prevention.

Double Conductor 300V						Double Conductor 600V						Single Conductor 600V					
Product #	Dia. in.	Ω/ft.	Dia. mm	Ω/m	Conductor Type	Product #	Dia. in.	Ω/ft.	Dia. mm	Ω/m	Conductor Type	Product #	Dia. in.	Ω/ft.	Dia. mm	Ω/m	Conductor Type
11E0L-2S	0.16	11	4.1	36.089	Nichrome R	11E0H-2S	0.22	11	5.6	36.089	Nichrome R	30E1H-1S	0.17	3	4.3	9.842	Nichrome R
90E1L-2S	0.16	9	4.1	29.527	Nichrome R	90E1H-2S	0.23	9	5.7	29.527	Nichrome R	20E1H-1S	0.17	2	4.3	6.562	Nichrome R
75E1L-2S	0.16	7.5	4.1	24.606	Nichrome R	75E1H-2S	0.24	7.5	6.0	24.606	Nichrome R	19E1H-1S	0.17	1.88	4.3	6.168	Nichrome R
60E1L-2S	0.16	6	4.1	19.685	Nichrome R	60E1H-2S	0.23	6	5.8	19.685	Nichrome R	16E1H-1S	0.17	1.6	4.3	5.249	Nichrome A
50E1L-2S	0.16	5	4.1	16.404	Nichrome R	40E1H-2S	0.24	4	6.1	13.123	Nichrome A	13E1H-1S	0.17	1.3	4.3	4.265	Nichrome A
40E1L-2S	0.16	4	4.1	13.123	Nichrome A	30E1H-2S	0.26	3	6.5	9.842	Nichrome A	12E1H-1S	0.17	1.22	4.3	4.003	Nichrome A
32E1L-2S	0.16	3.2	4.1	10.498	KP	20E1H-2S	0.26	2	6.5	6.562	Nichrome R	10E1H-1S	0.17	1	4.3	3.281	KP
27E1L-2S	0.16	2.7	4.1	8.858	KP	14E1H-2S	0.26	1.4	6.5	4.593	Constantan	85E2H-1S	0.17	0.85	4.3	2.789	KP
25E1L-2S	0.16	2.5	4.1	8.202	Constantan	10E1H-2S	0.26	1	6.5	3.281	KP	70E2H-1S	0.17	0.7	4.3	2.297	Constantan
20E1L-2S	0.16	2	4.1	6.562	Constantan	70E2H-2S	0.27	0.7	6.7	2.297	Constantan	50E2H-1S	0.17	0.5	4.3	1.640	Constantan
17E1L-2S	0.16	1.7	4.1	5.577	Constantan	50E2H-2S	0.28	0.5	7.1	1.640	Constantan	38E2H-1S	0.17	0.38	4.3	1.247	Constantan
14E1L-2S	0.16	1.4	4.1	4.593	Constantan	30E2H-2S	0.3	0.3	7.6	0.984	Constantan	30E2H-1S	0.17	0.3	4.3	0.984	Constantan
10E1L-2S	0.17	1	4.2	3.281	Constantan	23E2H-2S	0.28	0.23	6.9	0.755	Alloy 90	25E2H-1S	0.17	0.25	4.3	0.820	Constantan
70E2L-2S	0.18	0.7	4.3	2.297	Constantan	20E2H-2S	0.26	0.2	6.5	0.656	Alloy 90	20E2H-1S	0.18	0.2	4.4	0.656	Constantan
50E2L-2S	0.19	0.5	4.8	1.640	Alloy 60	15E2H-2S	0.27	0.15	6.7	0.492	Alloy 90	17E2H-1S	0.18	0.17	4.3	0.558	Constantan
30E2L-2S	0.17	0.3	4.3	0.984	Alloy 60	10E2H-2S	0.28	0.1	7.1	0.328	Alloy 60	15E2H-1S	0.17	0.15	4.3	0.492	Alloy 60
25E2L-2S	0.17	0.25	4.3	0.820	Alloy 60	70E3H-2S	0.3	0.07	7.5	0.230	Alloy 60	12E2H-1S	0.17	0.12	4.3	0.394	Alloy 60
20E2L-2S	0.17	0.2	4.3	0.656	Alloy 60	50E3H-2S	0.31	0.05	7.9	0.164	Alloy 60	10E2H-1S	0.17	0.1	4.3	0.328	Alloy 60
15E2L-2S	0.18	0.15	4.4	0.492	Alloy 60	40E3H-2S	0.33	0.04	8.3	0.131	Alloy 60	80E3H-1S	0.17	0.08	4.3	0.262	Alloy 60
10E2L-2S	0.19	0.1	4.8	0.328	Alloy 30	30E3H-2S	0.35	0.03	8.8	0.098	Alloy 60	70E3H-1S	0.17	0.07	4.3	0.230	Alloy 60
70E3L-2S	0.21	0.07	5.2	0.230	Alloy 30	20E3H-2S	0.27	0.02	6.9	0.066	Copper	60E3H-1S	0.17	0.06	4.3	0.197	Alloy 60
50E3L-2S	0.23	0.05	5.7	0.164	Alloy 30	16E3H-2S	0.28	0.016	7.1	0.052	Copper	40E3H-1S	0.18	0.04	4.4	0.131	Alloy 60
-	-	-	-	-	-	13E3H-2S	0.29	0.013	7.4	0.043	Copper	30E3H-1S	0.19	0.03	4.7	0.098	Alloy 60
-	-	-	-	-	-	10E3H-2S	0.3	0.01	7.6	0.033	Copper	20E3H-1S	0.2	0.02	5.1	0.066	Alloy 60
-	-	-	-	-	-	-	-	-	-	-	-	10E3H-1S	0.17	0.01	4.3	0.033	Copper
-	-	-	-	-	-	-	-	-	-	-	-	65E4H-1S	0.18	0.0065	4.3	0.021	Copper
-	-	-	-	-	-	-	-	-	-	-	-	40E4H-1S	0.19	0.0041	4.8	0.013	Copper

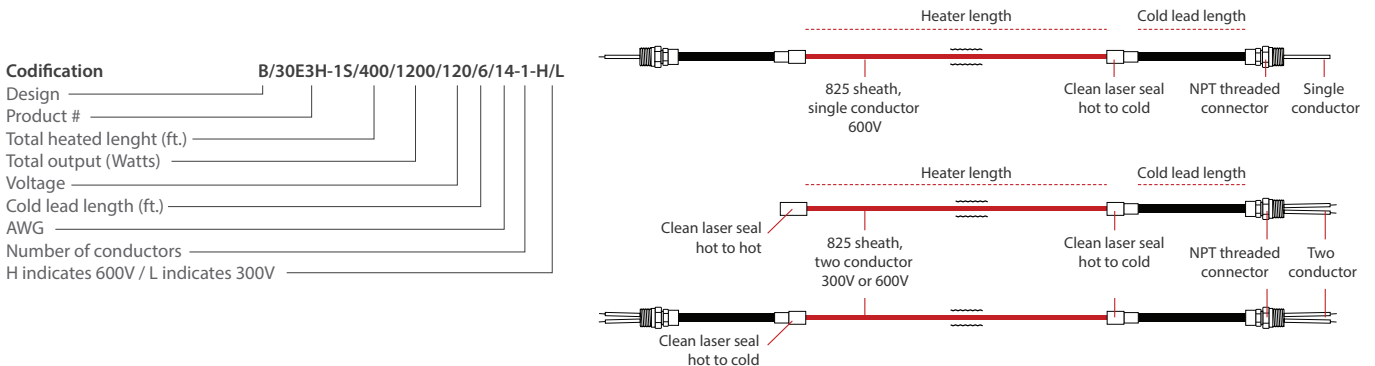
Made to order product, standard production lead time of 6 weeks, please contact factory for design and quote.

Cold Lead Sizes

Double Conductor						Single Conductor					
Size	Max. Current (A)		Gland Diameter (NPT)		Size	Max. Current (A)		Gland Diameter (NPT)			
AWG	CEC	NEC	CEC	NEC	AWG	CEC	NEC	CEC	NEC		
14	15	25			14	20	30				
12	20	30	1/2"	1/2"	12	25	40	1/2"	1/2"		
10	30	40	(12.7 mm)	(12.7 mm)	10	40	55	(12.7 mm)	(12.7 mm)		
8	50	55			8	70	75				

Configurations

Design B	Single conductor cold lead M.I. Heater with clean laser hot to cold on both ends.
Design D	Two conductor cold lead M.I. Heater with clean laser seal hot to cold on one end. Clean laser seal hot to hot at opposite ends.
Design E	Two conductor cold lead M.I. Heater with clean laser seal hot to cold on both ends.



OCF Patio Infrared Heater



Stainless steel
OCF30240, OCF40240,
OCF60240

Black
OCF15120



Grounded 3-pronged outlet (120V model)



NEMA 5-15R

Features

Finish

- Black anodized aluminum or stainless steel.

Voltage

- 120V, 240/208V, 60 Hz, 1-phase.

Construction

- Weatherproof IP65 certified for outdoor use.
- 2 mm thickness aluminum extrusion casing.
- High quality aluminum optical reflector.
- Safety mechanism that automatically triggers the heater to go into Standby mode after 8 hours of operation.
- High quality power cord:
 - 120V model: 7.5 ft. (2.25 m) with NEMA 5-15P plug.
 - 240/208V models: 6 ft. (1.8 m) hard wire.

Heating element

- Woven carbon filament infrared lamp inside a 15 mm Quartz tube.
- Element service life \pm 8000h.

Wavelength

- Mid-wave (2 μ m).

Control

- 1500W and 3000W models: On/Off integrated regulator and a remote control with 6 settings.
- 4000W and 6000W models: Two heating level, 50% and 100%.
The heater can be wired to bypass the remote if requires.

Certification

- Comply with the standard UL2021:2015 Ed.4 and C22.2 No.46: 2013 Ed.9.

Installation

- Horizontal installation only.
- Residential: Exterior installation only.
- Commercial: Exterior and interior installation.
- Pivoting wall mounting brackets included (120V and 240/208V models).
- Mounting brackets for ceiling suspension included (240/208V models).
- Installation minimum clearances:
 - 1500W model: 6.7 ft. (2.0 m) from floor.
 - 300W, 4000W and 6000W models: 8 ft. (2.4 m) from floor.All models: 12 in. (30 cm) from ceiling, 18 in. (45 cm) between the end of the unit to the wall and 24 in. (61 cm) between the longer side of the unit to the wall.
- 120V model: Wall mounted only.
Must be plugged into a grounded 3-pronged outlet, 15A, 120VAC.
- 240/208V models: Wall or ceiling mounted.
Hard-wired into an electrical junction box (not included).

Warranty

- 1-year warranty against defects.
- 90-day warranty on the element (for industrial applications only).

Application

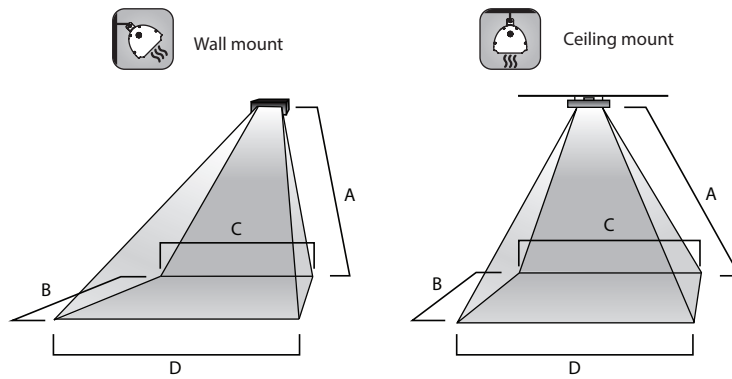
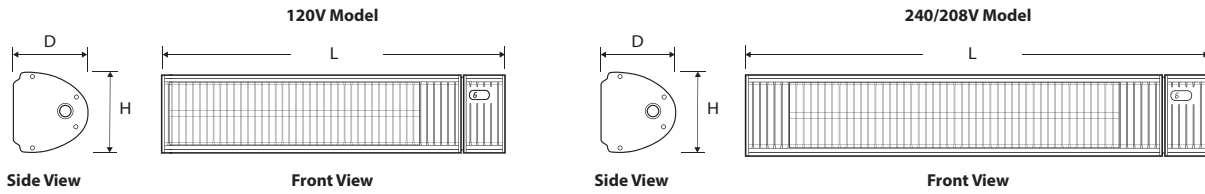
- Residential: Solarium, pool & spa, balcony, patio.
- Commercial: Workshop, garage, restaurant patio or bar, hotel entranceway, churches.

Models

Watts	Volts	Product # ¹	Grounded 3-pronged outlet	Length				Weight			
				L	H	D		lb	kg		
1500	120	CF15120B	15A, 120VAC	in.	mm	in.	mm	in.	mm		
3000/2250	240/208	CF30240SS ²	-	27	685.8	6 1/2	165	6 5/16	161	10.0	4.5
4000/3000	240/208	CF40240SS ²	-	38	965.2	6 1/2	165	6 5/16	161	14.3	6.4
6000/4500	240/208	CF60240SS ²	-	42	1066.8	9	228.6	9	228.6	40.0	18.2
				42	1066.8	9	228.6	9	228.6	40.0	18.2

¹ Mounting brackets included. Finish: "B" for black anodized aluminum, "SS" for stainless steel.

² Indoor residential installation forbidden.



Heat coverage

Watts	A		B		C		D		Heat coverage	
	ft. in.	m	ft.	m	ft.	m	ft.	m	sq. ft.	sq. m
Wall mounted										
1500W	8'	2.44	8	2.44	8	2.44	9	2.74	72	6.7
3000W	8'	2.44	11	3.35	10	3.05	12	3.66	120	11.2
4000W	8' 2"	2.49	11	3.35	10	3.05	12	3.66	140	13.0
6000W	10'	3.05	12	3.66	10	3.05	12	3.66	150	13.9
Ceiling mounted										
3000W	8'	2.44	11	3.35	11	3.35	11	3.35	120	11.2
4000W	8'	2.44	11	3.35	12	3.66	12	3.66	140	13.0
6000W	8'	2.44	12	3.66	12	3.66	12	3.66	150	13.9

DECOR Architectural Ceramic Glass Patio Infrared Heater



Bluetooth control using
the Aura Connect™ application.



Features

Color

- Standard: black.

Finish

- Standard: powder paint.

Voltage

- 240/208V, 60 Hz, 1-phase.

Construction

- Weatherproof IP65 certified for outdoor use.
- 2 mm thickness aluminum extrusion casing.
- High quality aluminum optical reflector.
- Power cord of 6 ft. (1.8 m) hard-wired.
- 304 stainless steel ceramic glass trim.

Heating element

- Woven carbon filament infrared lamp inside a 15 mm Quartz tube.
- Element service life ± 8000h.

Wavelength

- Mid-wave (2 μm).

Control

- On/Off integrated regulator and a remote control with 6 heat settings.
- The heater can be wired to bypass the remote control if required (Junction box not included).

Certification

- Comply with the standard UL2021:2015 Ed.4 and C22.2 No.46: 2013 Ed.9.

Installation

- Horizontal installation only.
- Pivoting wall mounting brackets included.
- Mounting brackets for ceiling suspension available as an option, must order separately (CFCEIL).
- Installation minimum clearances:
 - Canada: 8 ft. (2.4 m) from floor.
 - United States: 6 ft. 7 in. (2 m) from floor.
 - 8 in. (20.3 cm) from ceiling, 20 in. (50.8 cm) between the end of the unit to the wall and 20 in. (50.8 cm) between the longer side of the unit to the wall.
- Hard-wired into an electrical junction box (not included).

Warranty

- 1-year warranty against defects.
- 90-day warranty on the element (for industrial applications only).

Application

- Temporary back-up heating, workshop, garage, solarium, pool and spa, balcony, patio, bar, restaurant, hotel, church.

Model

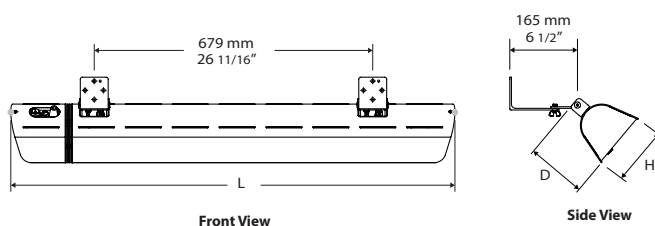
Watts	Volts	Product # ¹	Dimensions						Weight	
			L		H		D		lb	kg
			in.	mm	in.	mm	in.	mm		
3000/2250	240/208	ADGLASS-30240B	42.6	1082	6	152.4	5	127	17	7.7

Standard color is black.

¹ Wall mounting brackets included.

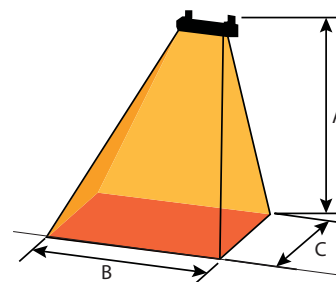
Option

Product # Kit	Description
CFCEIL	Kit of 2 mounting brackets for ceiling suspension



Heater Coverage Pattern

	(A) Mounting height	(B) Width	(C) Depth	Heat Zone	Average Heat Density
Canada	8 ft. (2.4 m)	10 ft. (3.1 m)	6 ft. (1.8 m)	60 ft. ² (5.6 m ²)	25W/ft. ²
United States	6 ft. 7 in. (2 m)	8 ft. (2.4 m)	6 ft. (1.8 m)	48 ft. ² (4.5 m ²)	20W/ft. ²



ORP Architectural Radiant Panel



Features

Color

- Standard: polar whitePW.
- Optional (upcharge applicable): Black Therma Ray PB-0218-HT -SP.

Finish

- High-temperature polyester powder paint.

Voltage

- 120V, 208V, 240V, 277V, 347V.

Construction

- Reflective foil used to adhere to the panel heating elements.
- High-temperature mineral wool insulation, 4 PSF density, 2" (50.8 mm) thick.
- 22-gauge galvanized steel panel frame and front.
- Internal junction box with cover.
- Optional external junction box.
- Suspension clips in all four corners of the panel (suspension wires not included).
- Custom sizes available upon request.

Heating element

- Nickel-chrome alloy resistance wire, PTFE insulation evenly distributed over the panel.

Density

- 65 to 95W/sq. ft. at rated voltage.

Control

- Line voltage control circuit for thermostat, timer or switch (not included, must be compatible with the selected voltage and wattage of the heater).

Ouellet highly recommends using an electronic wall thermostat for greater comfort.

Certification

- CSA STD C22.2 No.46.

Installation

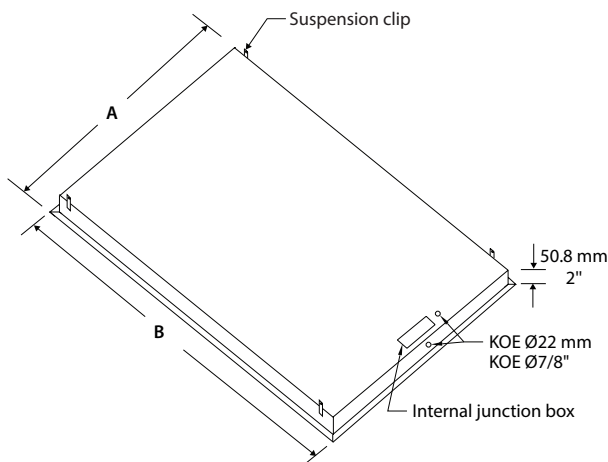
- Suspended from a ceiling or inserted into a T-Bar suspended ceiling.
- Variety of accessories available for surface installation with the SF frame on a gypsum ceiling or recessed with the PF frame.
- 2 in. (50.8 mm) minimum clearance above the panel.
- Minimum installation height from floor: 7 ft. (2.13 m).
- Relocation possible.

Warranty

- 1-year on the paint.
- 10-year on the heating element.

Application

- Commercial building, office building, hospital, school, daycare, private residence.



	AS2424		AS2448		AS1448		AS1460	
	mm	in.	mm	in.	mm	in.	mm	in.
A	603.25	23 3/4	603.25	23 3/4	349.25	13 3/4	349.25	13 3/4
B	603.25	23 3/4	1212.85	47 3/4	1212.85	47 3/4	1517.65	59 3/4

Models¹

Watts	Product #				Weight	
	120V	208V	240V	277V	lb	kg
23-3/4" x 23-3/4" Panel						
250	AS2424-250-120PW	-	AS2424-250-240PW	AS2424-250-277PW	15	6.8
310	-	AS2424-310-208PW	AS2424-310-240PW	-	15	6.8
335	AS2424-335-120PW	-	-	AS2424-335-277PW	15	6.8
375	AS2424-375-120PW	AS2424-375-208PW	-	AS2424-375-277PW	15	6.8
23-3/4" x 47-3/4" Panel						
500	AS2448-500-120PW	-	AS2448-500-240PW	AS2448-500-277PW	30	13.6
535	-	AS2448-535-208PW	-	-	30	13.6
625	AS2448-625-120PW	AS2448-625-208PW	AS2448-625-240PW	-	30	13.6
660	-	-	-	AS2448-660-277PW	30	13.6
725	-	-	AS2448-725-240PW	-	30	13.6
750	AS2448-750-120PW	AS2448-750-208PW	-	AS2448-750-277PW	30	13.6
13-3/4" x 47-3/4" Panel						
300	-	-	AS1448-300-240PW	-	18	8.2
350	AS1448-350-120PW	-	-	AS1448-350-277PW	18	8.2
400	-	AS1448-400-208PW	-	-	18	8.2
435	-	AS1448-435-208PW	AS1448-435-240PW	AS1448-435-277PW	18	8.2
13-3/4" x 59-3/4" Panel						
350	AS1460-350-120PW	-	-	-	22	10
375	-	-	AS1460-375-240PW	AS1460-375-277PW	22	10
450	-	AS1460-450-208PW	-	-	22	10
535	-	-	-	AS1460-535-277PW	22	10
550	-	-	AS1460-550-240PW	-	22	10

¹ Allow a maximum of approximately 6 weeks of production lead time. Standard color is polar white PW.

To order the optional color Black Thermo Ray PB-0218-HT, replace the PW at the end of the part number by -SP. Ex.: AS2448-750-120-SP.

Options

Product # Kit	Product # Factory installed*	Description
-	FC48	48 in. (121.92 cm) flexible conduit
PF-1448PW	-	Frame for recessed installation on gypsum ceiling, 14 1/14" x 48 1/48"
PF-1460PW	-	Frame for recessed installation on gypsum ceiling, 14 1/14" x 60 1/48"
PF-22PW	-	Frame for recessed installation on gypsum ceiling, 24 1/14" x 24 1/48"
PF-24PW	-	Frame for recessed installation on gypsum ceiling, 24 1/14" x 48 1/48"
-	WT	Silicone seams, including a 36 in. (91.44 cm) Sealtite® conduit
SF-1448PW	-	Frame for surface installation on gypsum ceiling, 14" x 48"
SF-1460PW	-	Frame for surface installation on gypsum ceiling, 14" x 60"
SF-22PW	-	Frame for surface installation on gypsum ceiling, 24" x 24"
SF-24PW	-	Frame for surface installation on gypsum ceiling, 24" x 48"

* For factory installed options, add the option number to the product number. See the Product Code section inside the front cover. Variety of control panel available upon request.

OTS Trench Insert Floor Convector



Features

Color

- Standard: semi-gloss black.
- Optional (upcharge applicable): white, almond, metallic silver, bronze, metallic charcoal, aluminum, sand.
- Custom colors available upon request.

Finish

- Standard: epoxy/polyester powder paint.

Voltage

- 120V, 208V, 240/208V, 277V, 347V, 480V, 600V, 1-phase.

Construction

- Sturdy construction of 20-gauge steel.
- Linear high-limit temperature control with automatic reset.
- Linear high-limit temperature control with manual reset.

Heating element

- Stainless steel tubular heating element with aluminum fins.
- Floating heating element on high-temperature nylon bushings reducing expansion noises.

Watt density

- Average standard watt density of 250W/ft.
- Average low density of 200W/ft., 167W/ft.

Control

- Mechanical or electronic relays available (installed on the right end only).

Ouellet highly recommends using an electronic wall thermostat for greater comfort.

Installation

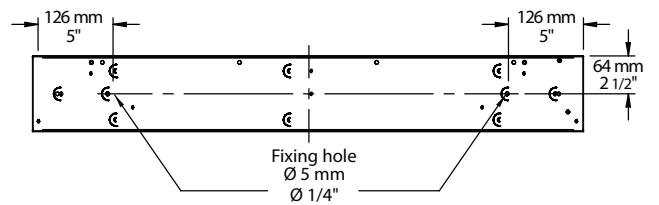
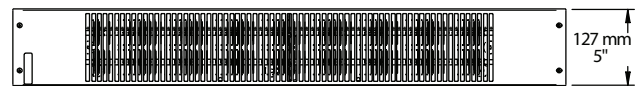
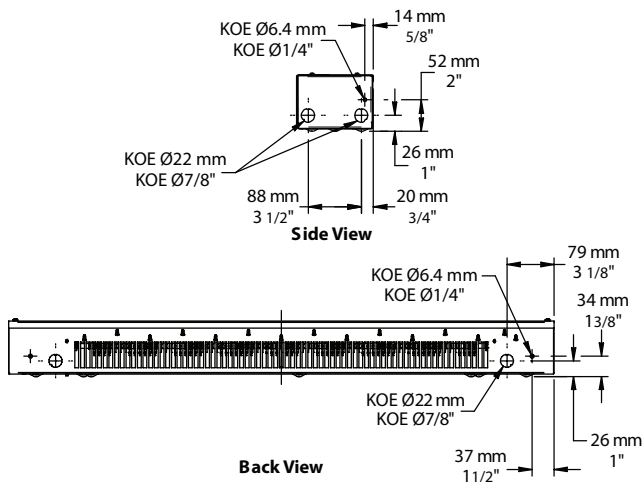
- Must be installed inside a trench under a floor with a compatible top trench grille (not supplied), which must cover the entire length of the heater. Please refer to the table of Models of compatible top trench grilles.
- 2 fixing holes in the bottom of the heater.

Warranty

- 3-year warranty against defects.
- 10-year warranty on the heating element.

Application

- Bay window, lobby, commercial building, condos, restaurants.



Standard Watt Density Models 250W/ft.

Watts	# Product					Watts 240/208V	# Product 240/208V	Length		Weight	
	120V	208V	277V	480V	in.			mm	lb	kg	
750	OTS0752	OTS0758	OTS0777	-	-	750/563	OTS0750	36	915	8.4	3.8
1000	-	OTS1008	OTS1077	OTS1004	-	1000/750	OTS1000	48	1220	10.8	4.9
1250	-	OTS1258	OTS1277	OTS1254	-	1250/938	OTS1250	60	1525	13.2	6.0

Low Watt Density Models

# Product ¹	Length	Weight	Average Density W/ft.	Watts	Watts 240/208V	120V	208V	240/208V	277V	480V
OTS050X-915	36"	8.4 lb	167	500	500/375	✓	✓	✓	✓	-
OTS060X-915	(915 mm)	(3.8 kg)	200	600	600/450	✓	✓	✓	✓	-
OTS066X-1220	48"	10.8 lb	167	668	668/502	✓	✓	✓	✓	✓
OTS080X-1220	(1220 mm)	(4.9 kg)	200	800	800/600	✓	✓	✓	✓	✓
OTS083X-1525	60"	13.2 lb	167	835	835/627	✓	✓	✓	✓	✓
OTS100X-1525	(1525 mm)	(6 kg)	200	1000	1000/750	-	✓	✓	✓	✓

¹ X = 2 (120V), 8 (208V), 0 (240/208V), 77 (277V), 4 (480V).

✓ = Available.

Add «NL» for semi-gloss black. Upcharge applicable for optional colors shown in the color chart section. Other voltages available upon request.

Options

# Product Kit	# Product Factory installed [*]	Description
KIT-OTS-DIS20	DIS20	Disconnect switch, 20A at 277V max.
KIT-OTS-DIS40	-	Disconnect switch, 40A at 600V max. 120 mm height
KIT-OTS-R-347 [†]	R [†]	Single-pole relay, coil 24V, without transformer: 22A at 120V, 208V, 240V - 19A at 277V - 18A at 347V
KIT-OTS-R-600 [†]	R [†]	Single-pole relay, coil 24V, without transformer: 10A at 480V, 600V
KIT-OTS-RT-208 [†]	RT [†]	Single-pole relay, coil 24V, with transformer 208V/24V, 22A at 208V
KIT-OTS-RT-240 [†]	RT [†]	Single-pole relay, coil 24V, with transformer 240V/24V, 22A at 240V
KIT-OTS-RT-277 [†]	RT [†]	Single-pole relay, coil 24V, with transformer 277V/24V, 19A at 277V
KIT-OTS-RT-347 [†]	RT [†]	Single-pole relay, coil 24V, with transformer 347V/24V, 18A at 347V
KIT-OTS-TRIAC-347 [†]	TRIAC [†]	Single-pole electronic relay, coil 24V, without transformer: 10A max. at 347V max.
KIT-OTS-TRIAC-347T [†]	TRIAC [†]	Single-pole electronic relay, coil 24V, with transformer: 10A max. at 347V max.
KIT-OTS-TRIAC-600 [†]	TRIAC [†]	Single-pole electronic relay, coil 24V, without transformer: 6A at 600V max.

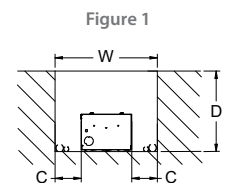
^{*} For factory installed options, add the option number to the product number. See the **Product Code** section inside the front cover.

[†] Options installed at right end only.

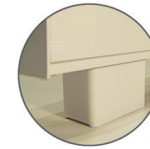
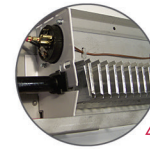
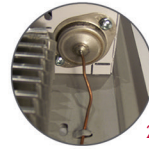
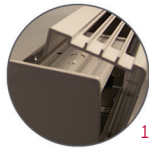
Models of compatible top trench grilles

Manufacturer	Grille Model	Trench dimension - Figure 1					
		Power per linear foot			Power per linear foot		
		167W/ft.	200W/ft.	250W/ft.	167W/ft.	200W/ft.	250W/ft.
Nailor Industries www.nailor.com	49-240	✓	-	-	✓	✓	-
	49-241	✓	-	-	✓	✓	-
	49-243	✓	-	-	✓	✓	-
	49-280	✓	✓	-	✓	✓	✓
	49-281	✓	✓	-	✓	✓	✓
Price Industries www.priceindustries.com	LBP/LBPH 15B	✓	✓	-	✓	✓	✓
	LBP/LBPH 16B	✓	✓	-	✓	✓	✓
	LBP/LBPH 25C	-	-	-	✓	-	-

NOTE: Vanes or deflectors options with grille are prohibited.



OMB Mini Aluminum Draft Barrier



Features

Color

- Standard: white, almond.
- Optional (upcharge applicable): metallic silver, bronze, metallic charcoal, aluminum, semi-gloss black, sand.
- Custom colors available upon request.

Finish

- Standard: epoxy/polyester powder paint.
- Optional: anodized aluminum.

Voltage

- 208V, 240/208V, 277V, 347V, 480V, 600V, 50/60 Hz, 1-phase.

Construction

- 14-gauge (0.0787 in. [2 mm]) aluminum front cover. **1**
- 18-gauge satin coat steel cabinet.
- Screw assembly for added strength.
- Full length built-in wireway.
- Separate low voltage wireway (-WW) available.
- Pencil-proof openings less than 1/4 in. (6.4 mm).
- Bottom fresh air inlet; top warm air outlet.
- Clean back available (-BD).
- Linear high-limit temperature control with automatic reset. **2**
- High altitude version available (-HA).
- End caps included. **3**

Heating element

- Stainless steel tubular heating element with aluminum fins. **4**
- Floating heating element on high-temperature nylon bushings reducing expansion noises.

Watt density

- Standard watt density.
- Low watt density.

Control

- Built-in thermostat available with a control knob or tamperproof.
- Mechanical, electronic or pneumatic relays available (installed on the right end only).

Ouellet highly recommends to use an electronic wall thermostat for greater comfort.

Installation

- Not for residential use in the United States.
- Heater must be installed at least 2 in. (51 mm) from finished floor.
- Mounting holes spaced on 4 in. (102 mm) intervals for ease of installation.
- Installation on wall or floor mounted with pedestals. **5**
- Variety of accessories available for wall-to-wall installation.
- Pedestal kit available.

Warranty

- 1-year warranty against defects.

Application

- Commercial building, office building, hospital, daycare center.

Average Standard Watt Density Models 175W/ft.

Watts	Watts 240/208V ¹	Product #				Length		Weight	
		208V	240/208V	277V	480V	in.	mm	lb	kg
350	350/263	OMB0358	OMB0350	OMB0377	-	27 9/16	700	7.0	3.2
525	525/394	OMB0528	OMB0520	OMB0577	-	35 7/16	900	8.3	3.8
700	700/526	OMB0708	OMB0700	OMB0777	-	47 1/4	1200	10.2	4.6
875	875/657	OMB0878	OMB0870	OMB0877	OMB0874	59 1/16	1500	12.0	5.5
1050	1050/789	OMB1058	OMB1050	OMB1077	OMB1054	70 7/8	1800	13.9	6.3
1225	1225/920	OMB1228	OMB1220	OMB1277	OMB1224	82 11/16	2100	15.8	7.2
1400	1400/1052	OMB1408	OMB1400	OMB1477	OMB1404	94 1/2	2400	17.6	8.0

Average Low Watt Density Models

Product # ²	Length	Weight	Average Density W/ft.	Watts	Watts 240/208V ¹	208V	240/208V	277V	480V
OMB030X-700	27 9/16" (700 mm)	7.0 lb (3.2 kg)	150	300	300/225	✓	✓	-	-
OMB030X-900	35 7/16" (900 mm)	8.3 lb (3.8 kg)	100	300	300/225	✓	✓	-	-
OMB045X-900			150	450	450/338	✓	✓	✓	-
OMB040X-1200	47 1/4" (1200 mm)	10.2 lb (4.6 kg)	100	400	400/300	✓	✓	✓	-
OMB060X-1200			150	600	600/450	✓	✓	✓	-
OMB050X-1500	59 1/16" (1500 mm)	12.0 lb (5.5 kg)	100	500	500/375	✓	✓	✓	✓
OMB075X-1500			150	750	750/563	✓	✓	✓	✓
OMB060X-1800	70 7/8" (1800 mm)	13.9 lb (6.3 kg)	100	600	600/450	✓	✓	✓	✓
OMB090X-1800			150	900	900/675	✓	✓	✓	✓
OMB070X-2100	82 11/16" (2100 mm)	15.8 lb (7.2 kg)	100	700	700/525	✓	✓	✓	✓
OMB105X-2100			150	1050	1050/788	✓	✓	✓	✓
OMB080X-2400	94 1/2" (2400 mm)	17.6 lb (8.0 kg)	100	800	800/600	✓	✓	✓	✓
OMB120X-2400			150	1200	1200/900	✓	✓	✓	✓

¹ 208V = 75% of wattage at 240V.

² X = 8 (208V), 0 (240/208V), 77 (277V), 7 (347V), 4 (480V), 6 (600V).

✓ = Available. Add "BL" for white, "AM" for almond. Upcharge available for optional colors shown in the color chart section.

Add "BL" for white, "AM" for almond. Optional colors shown in the color chart section are available upon request.

Other colors, accessories and finishes are available upon request. Please contact your customer service representative.

Other voltages available upon request.

Options

Product # Kit	Product # Factory installed*	Description
Finish		
-	BD ³	Clean back
KIT-OMB-CE	-	Outside corner, 4 in. (102 mm)
KIT-OMB-CI	-	Inside corner, 4 in. (102 mm)
KIT-OMB-JT	-	Splice plate, 2 in. (51 mm)
KIT-OMB-JT-PE	-	Contour splice plate for BD option and 1 or heater with pedestals, 2 in. (51 mm)
KIT-OMB-PE	-	Round pedestal kit (2), 3 in. (76 mm)
KIT-OMB-PEC	-	Square-shaped pedestal kit (2), 2 in. (51 mm)
OMB-SV-XX	-	Empty cabinet with length of XX mm (minimum: 154 mm, maximum: 2400 mm)
Controls		
KIT-OMB-DIS20 ⁴	DIS20 ⁴	Disconnect switch, 20A at 277V max.
-	HA	Linear high-limit temperature control for high altitude (3000 ft. to 8200 ft.)
-	PM	Pneumatic relay, 20A at 600V max.
KIT-OMB-R-347	R	Single-pole relay, coil 24V, without transformer, 22A at 208V, 240V - 19A at 277V - 18A at 347V
KIT-OMB-R-600	R	Single-pole relay, coil 24V, without transformer, 12.5A at 480V, 10A at 600V
KIT-OMB-RT-208	RT	Single-pole relay, coil 24V, with transformer 208V/24V, 22A at 208V
KIT-OMB-RT-240	RT	Single-pole relay, coil 24V, with transformer 240V/24V, 22A at 240V
KIT-OMB-RT-277	RT	Single-pole relay, coil 24V, with transformer 277V/24V, 19A at 277V
KIT-OMB-RT-347	RT	Single-pole relay, coil 24V, with transformer 347V/24V, 18A at 347V
KIT-OMB-RT-600 ²	RT ²	Single-pole relay, coil 24V, with transformer 600V/24V, 10A at 600V (2-wire only)
KIT-OMB-TB6	TB6	Single-pole bi-metal thermostat: 25A at 208V, 240V, 277V - 10A at 347V, 480V, 600V
KIT-OMB-TB26 ¹	TB26 ¹	Double-pole bi-metal thermostat: 25A at 208V, 240V, 277V - 10A at 347V, 480V, 600V
KIT-OMB-TB6-AV	TB6AV	Single-pole bi-metal tamperproof thermostat: 25A at 208V, 240V, 277V - 10A at 347V, 480V, 600V
KIT-OMB-TB26-AV ¹	TB26AV ¹	Double-pole bi-metal tamperproof thermostat: 25A at 208V, 240V, 277V - 10A at 347V, 480V, 600V
KIT-OMB-TRIAC-347	TRIAC	Single-pole electronic relay, coil 24V, without transformer, 15A max. at 347V max.
KIT-OMB-TRIAC-347T	TRIACT	Single-pole electronic relay, coil 24V, with transformer, 15A max. at 208V, 240V, 277, 347V
KIT-OMB-TRIAC-600	TRIAC	Single-pole electronic relay, coil 24V, without transformer, 6A at 600V max.
-	WW	24V wireway

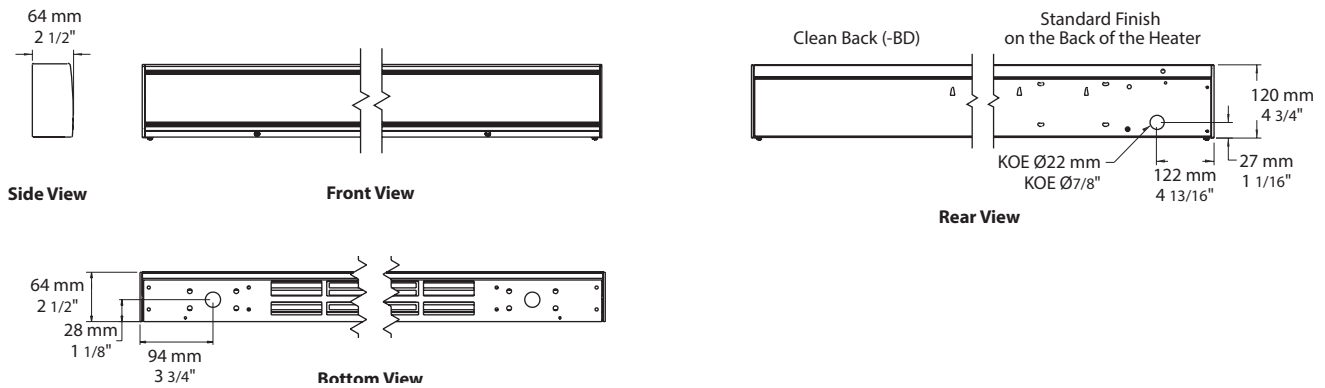
* For factory installed options, add the option number to the product number. See the **Product Code** section inside the front cover.

¹ "Off" position.

² These 2-wire relays with transformer can't supply of 3-wire low voltage thermostats.

³ For anodized aluminum heaters, the clean back option will be fixed with visible rivets.

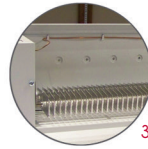
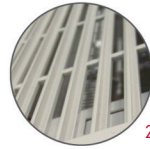
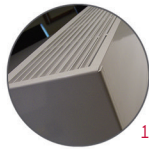
⁴ For the U.S. only: The nominal current of the unit must not exceed 80% of the capacity of the disconnect.



OHB High Density Aluminum Draft Barrier



With pedestals



Features

Color

- Standard: white, almond.
- Optional (upcharge applicable): metallic silver, bronze, metallic charcoal, aluminum, semi-gloss black, sand.
- Custom colors available upon request.

Finish

- Standard: epoxy/polyester powder paint.
- Optional: anodized aluminum.

Voltage

- 208V, 240/208V, 277V, 347V, 480V, 600V, 50/60 Hz, 1-phase.

Construction

- 14-gauge (0.0787 in. [2 mm]) aluminum front cover. **1**
- 18-gauge satin coat steel cabinet.
- Screw assembly for added strength.
- Full length built-in wireway.
- Separate low voltage wireway (-WW) available.
- Pencil-proof openings less than 1/4 in. (6.4 mm). **2**
- Bottom fresh air inlet, top warm air outlet.
- Clean back available (-BD).
- Linear high-limit temperature control with automatic reset. **3**
High altitude version available (-HA).
- End caps included.

Heating element

- Two stainless steel tubular heating elements with aluminum fins.
- Floating heating elements on high-temperature nylon bushings reducing expansion noises. **4**

Watt density

- Standard watt density.
- Low watt density.
- High watt density.

Control

- Built-in thermostat available with a control knob or tamperproof.
- Mechanical, electronic or pneumatic relays available.

Ouellet highly recommends to use an electronic wall thermostat for greater comfort.

Installation

- Not for residential use in the United States.
- Heater must be installed at least 3 in. (76 mm) from finished floor.
- Mounting holes spaced on 2 in. (51 mm) intervals for ease of installation.
- Installation on wall or floor mounted with pedestals. **5**
- Pedestal kit available.
- Variety of accessories available for wall-to-wall installation.

Warranty

- 10-year warranty against defects.

Application

- Commercial building, office building, hospital, daycare center, private residence.

OHB

Average Standard Watt Density Models 355W/ft.

Watts	Watts		Product #				Length		Weight	
	240/208V ¹	208V	240/208V	277V	480V	in.	mm	lb	kg	
750	750/563	OHB0758	OHB0750	OHB0777	-	23 5/8	600	10.7	4.8	
1000	1000/750	OHB1008	OHB1000	OHB1077	OHB1004	35 7/16	900	14.1	6.4	
1400	1400/1050	OHB1408	OHB1400	OHB1477	OHB1404	47 1/4	1200	17.6	8.0	
1750	1750/1313	OHB1758	OHB1750	OHB1777	OHB1754	59 1/16	1500	21.1	9.6	
2100	2100/1577	OHB2108	OHB2100	OHB2177	OHB2104	70 7/8	1800	24.6	11.1	
2450	2450/1840	OHB2458	OHB2450	OHB2477	OHB2454	82 11/16	2100	28.0	12.7	
2800	2800/2103	OHB2808	OHB2800	OHB2877	OHB2804	94 1/2	2400	31.5	14.3	

Average Low Watt Density Models

Product # ²	Length	Weight	Average Density W/ft.	Watts	Watts 240/208V ¹	208V	240/208V	277V	480V
OHB040X-600	23 5/8"	10.7 lb	175	375	375/281	✓	✓	-	-
OHB050X-600	(600 mm)	(4.8 kg)	250	500	500/375	✓	✓	-	-
OHB050X-900	35 7/16"	14.1 lb	175	500	500/375	✓	✓	✓	-
OHB075X-900	(900 mm)	(6.4 kg)	250	750	750/563	✓	✓	✓	-
OHB070X-1200	47 1/4"	17.6 lb	175	700	700/525	✓	✓	✓	✓
OHB100X-1200	(1200 mm)	(8.0 kg)	250	1000	1000/750	✓	✓	✓	✓
OHB087X-1500	59 1/16"	21.1 lb	175	875	875/656	✓	✓	✓	✓
OHB125X-1500	(1500 mm)	(9.6 kg)	250	1250	1250/938	✓	✓	✓	✓
OHB105X-1800	70 7/8"	24.6 lb	175	1050	1050/788	✓	✓	✓	✓
OHB150X-1800	(1800 mm)	(11.1 kg)	250	1500	1500/1125	✓	✓	✓	✓
OHB122X-2100	82 11/16"	28.0 lb	175	1225	1225/919	✓	✓	✓	✓
OHB175X-2100	(2100 mm)	(12.7 kg)	250	1750	1750/1313	✓	✓	✓	✓
OHB140X-2400	94 1/2"	31.5 lb	175	1400	1400/1050	✓	✓	✓	✓
OHB200X-2400	(2400 mm)	(14.3 kg)	250	2000	2000/1500	✓	✓	✓	✓

Average High Watt Density Models 500W/ft.

Watts	Watts		Product #				Length		Weight	
	240/208V ¹	208V	240/208V	277V	480V	in.	mm	lb	kg	
1000	1000/750	OHBH1008	OHBH1000	OHBH1077	OHBH1004	23 5/8	600	10.7	4.8	
1500	1500/1125	OHBH1508	OHBH1500	OHBH1577	OHBH1504	35 7/16	900	14.1	6.4	
2000	2000/1500	OHBH2008	OHBH2000	OHBH2077	OHBH2004	47 1/4	1200	17.6	8.0	
2500	2500/1875	OHBH2508	OHBH2500	OHBH2577	OHBH2504	59 1/16	1500	21.1	9.6	
3000	3000/2250	OHBH3008	OHBH3000	OHBH3077	OHBH3004	70 7/8	1800	24.6	11.1	
3500	3500/2625	OHBH3508 ³	OHBH3500	OHBH3577	OHBH3504	82 11/16	2100	28.0	12.7	
4000	4000/3000	OHBH4008 ³	OHBH4000 ³	OHBH4077	OHBH4004	94 1/2	2400	31.5	14.3	

¹ 208V = 75% of wattage at 240V.

² X = 8 (208V), 0 (240/208V), 77 (277V), 7 (347V), 4 (480V), 6 (600V).

³ If the control option "24V electronic relay" is required, these products need two electronic relays.

✓ = Available.

Add "BL" for white, "AM" for almond. Optional colors shown in the color chart section are available upon request.

Other colors, accessories and finishes are available upon request. Please contact your customer service representative.

Other voltages available upon request.

Options

Product # Kit	Product # Factory installed*	Description
Finish		
-	BD ¹	Clean back
KIT-OHB-CE	-	Outside corner, 8 in. (203 mm)
KIT-OHB-CI	-	Inside corner, 8 in. (203 mm)
KIT-OHB-JT	-	Splice plate, 2 in. (51 mm)
KIT-OHB-JT-PE	-	Contour splice plate for BD option and/or heater with pedestals, 2 in. (51 mm)
KIT-OHB-PEC	-	Square-shaped pedestal kit (2), 3 in. (76 mm)
OHB-SV-XX	-	Empty cabinet with length of XX mm (minimum: 154 mm, maximum: 2400 mm)
Controls		
KIT-OHB-DIS20 ²	DIS20 ³	Disconnect switch, 20A at 277V max.
KIT-OHB-DIS40 ²	DIS40 ³	Disconnect switch, 40A at 600V max.
-	HA	Linear high-limit temperature control for high altitude (3000 ft. to 8200 ft.)
-	PM	Pneumatic relay, 20A at 600V max.
KIT-OHB-R-347	R	Single-pole relay, coil 24V, without transformer, 22A at 208V, 240V - 19A at 277V - 18A at 347V
KIT-OHB-R-600	R	Single-pole relay, coil 24V, without transformer, 12.5A at 480V, 10A at 600V
KIT-OHB-RT-208	RT	Single-pole relay, coil 24V, with transformer 208V/24V, 22A at 208V
KIT-OHB-RT-240	RT	Single-pole relay, coil 24V, with transformer 240V/24V, 22A at 240V
KIT-OHB-RT-277	RT	Single-pole relay, coil 24V, with transformer 277V/24V, 19A at 277V
KIT-OHB-RT-347	RT	Single-pole relay, coil 24V, with transformer 347V/24V, 18A at 347V
KIT-OHB-RT-600 ²	RT ²	Single-pole relay, coil 24V, with transformer 600V/24V, 10A at 600V (2-wire only)
KIT-OHB-T	T	Single-pole thermostat: 25A at 208V, 240V - 10A at 277V, 347V, 480V, 600V
KIT-OHB-T2 ⁴	T2 ⁴	Double-pole thermostat: 30A at 208V, 240V - 15A at 347V, 600V
KIT-OHB-T-AV	TAV	Single-pole tamperproof thermostat: 25A at 208V, 240V - 10A at 277V, 347V, 480V, 600V
KIT-OHB-T2-AV ⁴	T2AV ⁴	Double-pole tamperproof thermostat: 30A at 208V, 240V - 15A at 347V, 600V
KIT-OHB-TRIAC-347	TRIAC	Single-pole electronic relay, coil 24V, without transformer, 15A at 347V max.
KIT-OHB-TRIAC-347T	TRIAC	Single-pole electronic relay, coil 24V, with transformer, 15A at 208V, 240V, 277V, 347V
KIT-OHB-TRIAC-600	TRIAC	Single-pole electronic relay, coil 24V, without transformer, 6A at 600V max.
-	WW	24V wireway includes high temperature wiring

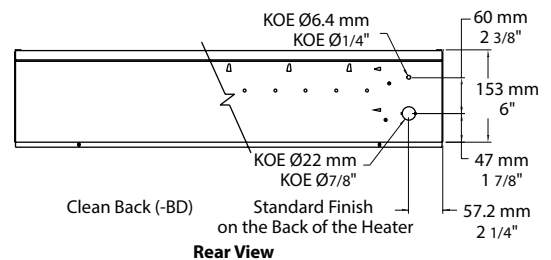
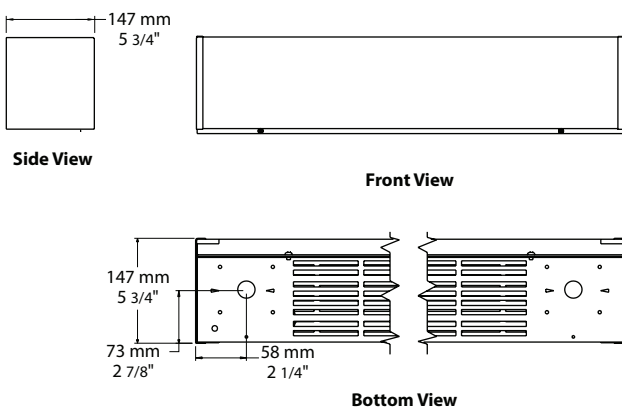
* For factory installed options, add the option number to the product number. See the **Product Code** section inside the front cover.

¹ For anodized aluminum heaters, the clean back option will be fixed with visible rivets.

² These 2-wire relays with transformer can't supply a 3-wire low voltage thermostats.

³ For the U.S. only: The nominal current of the unit must not exceed 80% of the capacity of the disconnect.

⁴ "Off" position.



ODB
ODI

Aluminum Draft Barrier

Aluminum Sloped Top Draft Barrier



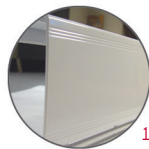
ODB

With bottom fresh air inlet and pedestals

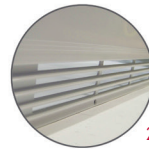


ODI

With pedestals



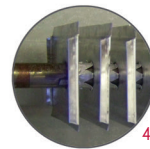
1



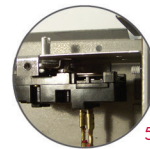
2



3



4



5

Features

Color

- Standard: white, almond.
- Optional (upcharge applicable): metallic silver, bronze, metallic charcoal, aluminum, semi-gloss black, sand.
- Custom colors available upon request.

Finish

- Standard: epoxy/polyester powder paint.
- Optional: anodized aluminum.

Voltage

- 120V, 208V, 240/208V, 277V, 347V, 480V, 600V, 50/60 Hz, 1-phase.

Construction

- 14-gauge (0.0787 in. [2 mm]) aluminum front cover. **1**
- 18-gauge satin coat steel cabinet.
- Screw assembly for added strength.
- Full length built-in wireway.
- Pencil-proof openings less than 1/4 in. (6.4 mm). **2**
- Front fresh air inlet; top warm air outlet.
 - Bottom fresh air inlet available (-BAI).
- Clean back available (-BD).
- Linear high-limit temperature control with automatic reset.
 - High altitude version available (-HA).
- End caps included. **3**

Heating element

- Stainless steel tubular heating element with aluminum fins. **4**
- Floating heating element on high-temperature nylon bushings reducing expansion noises.

Watt density

- Standard watt density.
- Low watt density.

Control

- Built-in thermostat available with a control knob or tamperproof. **5**
- Mechanical, electronic or pneumatic relays available (installed on the right end only).

Ouellet highly recommends to use an electronic wall thermostat for greater comfort.

Installation

- Heater must be installed at least 2 in. (51 mm) from finished floor (for -BAI option).
- Mounting holes spaced on 4 in. (102 mm) intervals for ease of installation.
- Wall or floor mounted installation.
- Variety of accessories available for wall-to-wall installation.
- Pedestal kit available.

Warranty

- 10-year warranty against defects.

Application

- Commercial building, office building, hospital, daycare center, private residence.

ODB Aluminum Draft Barrier



With bottom fresh air inlet and pedestals



Average Standard Watt Density Models 275W/ft.

Watts	Watts 240/208V ¹	Product #					Length		Weight	
		120V	208V	240/208V	277V	480V	in.	mm	lb	kg
500	500/375	ODB0502	ODB0508	ODB0500	ODB0577	-	29 1/16	738	8.0	3.6
750	750/563	ODB0752	ODB0758	ODB0750	ODB0777	ODB0754	39 1/16	992	10.4	4.7
1000	1000/750	ODB1002	ODB1008	ODB1000	ODB1077	ODB1004	49 5/16	1253	12.8	5.8
1250	1250/938	ODB1252	ODB1258	ODB1250	ODB1277	ODB1254	58 13/16	1494	15.1	6.8
1500	1500/1125	ODB1502	ODB1508	ODB1500	ODB1577	ODB1504	67 1/2	1715	17.2	7.8
1750	1750/1313	-	ODB1758	ODB1750	ODB1777	ODB1754	76 7/8	1952	19.4	8.8
2000	2000/1500	-	ODB2008	ODB2000	ODB2077	ODB2004	85 5/8	2175	21.5	9.7
2250	2250/1688	-	ODB2258	ODB2250	ODB2277	ODB2254	94 1/2	2400	23.6	10.7
2500	2500/1875	-	ODB2508	ODB2500	ODB2577	ODB2504	103 5/8	2632	25.8	11.7

Average Low Watt Density Models

Product # ²	Length	Weight	Average Density W/ft.	Watts	Watts 240/208V ¹	120V	208V	240/208V	277V	480V
ODB020X-738			100	200	200/150	✓	✓	✓	-	-
ODB030X-738	29 1/16" (738 mm)	8.0 lb (3.6 kg)	150	300	300/225	✓	✓	✓	-	-
ODB040X-738			200	400	400/300	✓	✓	✓	✓	-
ODB030X-992			100	300	300/225	✓	✓	✓	✓	-
ODB045X-992	39 1/16" (992 mm)	10.4 lb (4.7 kg)	150	450	450/338	✓	✓	✓	✓	-
ODB060X-992			200	600	600/450	✓	✓	✓	✓	-
ODB040X-1253			100	400	400/300	✓	✓	✓	✓	-
ODB060X-1253	49 5/16" (1253 mm)	12.8 lb (5.8 kg)	150	600	600/450	✓	✓	✓	✓	-
ODB080X-1253			200	800	800/600	✓	✓	✓	✓	✓
ODB050X-1494			100	500	500/375	✓	✓	✓	✓	-
ODB075X-1494	58 13/16" (1494 mm)	15.1 lb (6.8 kg)	150	750	750/563	✓	✓	✓	✓	✓
ODB100X-1494			200	1000	1000/750	✓	✓	✓	✓	✓
ODB060X-1715			100	600	600/450	✓	✓	✓	✓	✓
ODB090X-1715	67 1/2" (1715 mm)	17.2 lb (7.8 kg)	150	900	900/675	✓	✓	✓	✓	✓
ODB120X-1715			200	1200	1200/900	✓	✓	✓	✓	✓
ODB070X-1952			100	700	700/525	✓	✓	✓	✓	✓
ODB105X-1952	76 7/8" (1952 mm)	19.4 lb (8.8 kg)	150	1050	1050/788	✓	✓	✓	✓	✓
ODB140X-1952			200	1400	1400/1050	✓	✓	✓	✓	✓
ODB080X-2175			100	800	800/600	✓	✓	✓	✓	✓
ODB120X-2175	85 5/8" (2175 mm)	21.5 lb (9.7 kg)	150	1200	1200/900	✓	✓	✓	✓	✓
ODB160X-2175			200	1600	1600/1200	-	✓	✓	✓	✓
ODB090X-2400			100	900	900/675	✓	✓	✓	✓	✓
ODB135X-2400	94 1/2" (2400 mm)	23.6 lb (10.7 kg)	150	1350	1350/1013	-	✓	✓	✓	✓
ODB180X-2400			200	1800	1800/1350	-	✓	✓	✓	✓
ODB100X-2632			100	1000	1000/750	✓	✓	✓	✓	✓
ODB150X-2632	103 5/8" (2632 mm)	26.8 lb (11.7 kg)	150	1500	1500/1125	-	✓	✓	✓	✓
ODB200X-2632			200	2000	2000/1500	-	✓	✓	✓	✓
ODB225X-2632			200	2250	2250/1688	-	✓	✓	✓	✓

¹ 208V = 75% of wattage at 240V.

² X = 2 (120V), 8 (208V), 0 (240/208V), 77 (277V), 7 (347V), 4 (480V), 6 (600V).

✓ = Available.

Add "BL" for white, "AM" for almond. Optional colors shown in the color chart section are available upon request.

Other colors, accessories and finishes are available upon request. Please contact your customer service representative.

Other voltages available upon request.

ODB

Options

Product # Kit	Product # Factory installed*	Description
Finish		
-	BAI	Bottom fresh air inlet
-	BD ¹	Clean back
KIT-ODB-CE	-	Outside corner, 4 in. (102 mm)
KIT-ODB-CI	-	Inside corner, 4 in. (102 mm)
KIT-ODB-JT	-	Splice plate, 2 in. (51 mm)
KIT-ODB-JT-PE	-	Contour splice plate for BD option and/or heater with pedestals, 2 in. (51 mm)
KIT-ODB-PE	-	Round pedestal kit (2), 3 in. (76 mm)
KIT-ODB-PEC	-	Square-shaped pedestal kit (2), 2 in. (51 mm)
ODB-SV-XX	-	Empty cabinet with length of XX mm (minimum: 154 mm, maximum: 2632 mm)
Controls		
KIT-ODB-DIS20 ⁴	DIS20 ⁴	Disconnect switch, 20A at 277V max.
KIT-ODB-DIS40 ⁴	DIS40 ⁴	Disconnect switch, 40A at 600V max.
-	HA	Linear high-limit temperature control for high altitude (3000 ft. to 8200 ft.)
-	PM	Pneumatic relay, 20A at 600V max.
KIT-ODB-R-347	R	Single-pole relay, coil 24V, without transformer, 22A at 120V, 208V, 240V - 19A at 277V - 18A at 347V
KIT-ODB-R-600	R	Single-pole relay, coil 24V, without transformer, 12.5A at 480V, 10A at 600V
KIT-ODB-RT-120	RT	Single-pole relay, coil 24V, with transformer 120V/24V, 22A at 120V
KIT-ODB-RT-208	RT	Single-pole relay, coil 24V, with transformer 208V/24V, 22A at 208V
KIT-ODB-RT-240	RT	Single-pole relay, coil 24V, with transformer 240V/24V, 22A at 240V
KIT-ODB-RT-277	RT	Single-pole relay, coil 24V, with transformer 277V/24V, 19A at 277V
KIT-ODB-RT-347	RT	Single-pole relay, coil 24V, with transformer 347V/24V, 18A at 347V
KIT-ODB-RT-600 ²	RT ²	Single-pole relay, coil 24V, with transformer 600V/24V, 10A at 600V (2-wire only)
KIT-ODB-TB6	TB6	Single-pole bi-metal thermostat: 25A at 120V, 208V, 240V, 277V - 10A at 347V, 480V, 600V
KIT-ODB-TB26 ³	TB26 ³	Double-pole bi-metal thermostat: 25A at 120V, 208V, 240V, 277V - 10A at 347V, 480V, 600V
KIT-ODB-TB6-AV	TB6AV	Single-pole bi-metal tamperproof thermostat: 25A at 120V, 208V, 240V, 277V - 10A at 347V, 480V, 600V
KIT-ODB-TB26-AV ³	TB26AV ³	Double-pole bi-metal tamperproof thermostat: 25A at 120V, 208V, 240V, 277V - 10A at 347V, 480V, 600V
KIT-ODB-TRIAC-347	TRIAC	Single-pole electronic relay, coil 24V, without transformer, 15A at 347V max.
KIT-ODB-TRIAC-347T	TRIACT	Single-pole electronic relay, coil 24V, with transformer, 15A at 208V, 240V, 277V, 347V
KIT-ODB-TRIAC-600	TRIAC	Single-pole electronic relay, coil 24V, without transformer, 6A at 600V max.

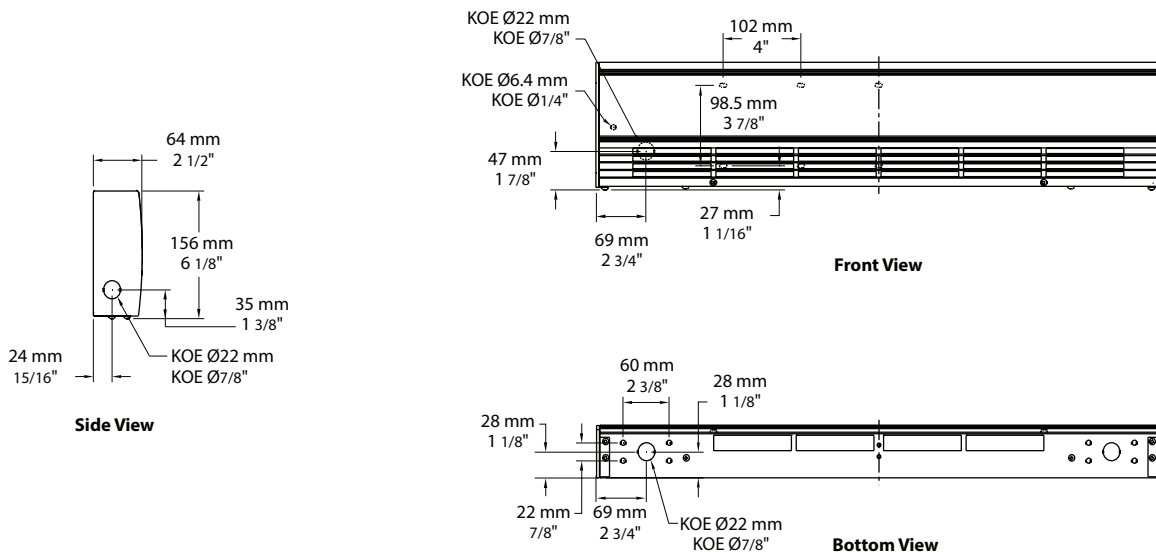
* For factory installed options, add the option number to the product number. See the **Product Code** section inside the front cover.

¹ For anodized aluminum heaters, the clean back option will be fixed with visible rivets.

² These 2-wire relays with transformer can't supply of 3-wire low voltage thermostats.

³ "Off" position.

⁴ For the U.S. only: The nominal current of the unit must not exceed 80% of the capacity of the disconnect.



ODI Aluminum Sloped Top Draft Barrier



With pedestals



Average Standard Watt Density Models 275W/ft.¹

Watts	Watts 240/208V ²	Product #					Length		Weight	
		120V	208V	240/208V	277V	480V	in.	mm	lb	kg
500	500/375	ODI0502	ODI0508	ODI0500	ODI0577	-	29 1/16	738	9.1	4.1
750	750/563	ODI0752	ODI0758	ODI0750	ODI0777	ODI0754	39 1/16	992	11.9	5.4
1000	1000/750	ODI1002	ODI1008	ODI1000	ODI1077	ODI1004	49 5/16	1253	14.7	6.6
1250	1250/938	ODI1252	ODI1258	ODI1250	ODI1277	ODI1254	58 13/16	1494	17.3	7.9
1500	1500/1125	ODI1502	ODI1508	ODI1500	ODI1577	ODI1504	67 1/2	1715	19.7	9.0
1750	1750/1313	-	ODI1758	ODI1750	ODI1777	ODI1754	76 7/8	1952	22.3	10.1
2000	2000/1500	-	ODI2008	ODI2000	ODI2077	ODI2004	85 5/8	2175	24.7	11.2
2250	2250/1688	-	ODI2258	ODI2250	ODI2277	ODI2254	94 1/2	2400	27.2	12.3
2500	2500/1875	-	ODI2508	ODI2500	ODI2577	ODI2504	103 5/8	2632	29.7	13.5

Average Low Watt Density Models

Product # ³	Length	Weight	Average Density W/ft.	Watts	Watts 240/208V ²	120V	208V	240/208V	277V	480V
ODI020X-738			100	200	200/150	✓	✓	✓	-	-
ODI030X-738 ¹	29 1/16"	9.1 lb	150	300	300/225	✓	✓	✓	-	-
ODI040X-738 ¹	(738 mm)	(4.1 kg)	200	400	400/300	✓	✓	✓	✓	-
ODI030X-992			100	300	300/225	✓	✓	✓	✓	-
ODI045X-992 ¹	39 1/16"	11.9 lb	150	450	450/338	✓	✓	✓	✓	-
ODI060X-992 ¹	(992 mm)	(5.4 kg)	200	600	600/450	✓	✓	✓	✓	-
ODI040X-1253			100	400	400/300	✓	✓	✓	✓	-
ODI060X-1253 ¹	49 5/16"	14.7 lb	150	600	600/450	✓	✓	✓	✓	-
ODI080X-1253 ¹	(1253 mm)	(6.6 kg)	200	800	800/600	✓	✓	✓	✓	✓
ODI050X-1494			100	500	500/375	✓	✓	✓	✓	-
ODI075X-1494 ¹	58 13/16"	17.3 lb	150	750	750/563	✓	✓	✓	✓	✓
ODI100X-1494 ¹	(1494 mm)	(7.9 kg)	200	1000	1000/750	✓	✓	✓	✓	✓
ODI060X-1715			100	600	600/450	✓	✓	✓	✓	✓
ODI090X-1715 ¹	67 1/2"	19.7 lb	150	900	900/675	✓	✓	✓	✓	✓
ODI120X-1715 ¹	(1715 mm)	(9.0 kg)	200	1200	1200/900	✓	✓	✓	✓	✓
ODI070X-1952			100	700	700/525	✓	✓	✓	✓	✓
ODI105X-1952 ¹	76 7/8"	22.3 lb	150	1050	1050/788	✓	✓	✓	✓	✓
ODI140X-1952 ¹	(1952 mm)	(10.1 kg)	200	1400	1400/1050	✓	✓	✓	✓	✓
ODI080X-2175			100	800	800/600	✓	✓	✓	✓	✓
ODI120X-2175 ¹	85 5/8"	24.7 lb	150	1200	1200/900	✓	✓	✓	✓	✓
ODI160X-2175 ¹	(2175 mm)	(11.2 kg)	200	1600	1600/1200	-	✓	✓	✓	✓
ODI090X-2400			100	900	900/675	✓	✓	✓	✓	✓
ODI135X-2400 ¹	94 1/2"	27.2 lb	150	1350	1350/1013	-	✓	✓	✓	✓
ODI180X-2400 ¹	(2400 mm)	(12.3 kg)	200	1800	1800/1350	-	✓	✓	✓	✓
ODI100X-2632			100	1000	1000/750	✓	✓	✓	✓	✓
ODI150X-2632 ²	103 5/8"	29.7 lb	150	1500	1500/1125	-	✓	✓	✓	✓
ODI200X-2632 ¹	(2632 mm)	(13.5 kg)	200	2000	2000/1500	-	✓	✓	✓	✓
ODI225X-2632 ¹			200	2250	2250/1688	-	✓	✓	✓	✓

¹ Not for residential use in the United States.

² 208V = 75% of wattage at 240V.

³ X = 2 (120V), 8 (208V), 0 (240/208V), 77 (277V), 7 (347V), 4 (480V), 6 (600V).

✓ = Available.

Add "BL" for white, "AM" for almond. Optional colors shown in the color chart section are available upon request.

Other colors, accessories and finishes are available upon request. Please contact your customer service representative.

Other voltages available upon request.

ODI

Options

Product # Kit	Product # Factory installed*	Description
Finish		
-	BAI	Bottom fresh air inlet
-	BD ¹	Clean back
KIT-ODI-CE	-	Outside corner, 4 in. (102 mm)
KIT-ODI-CI	-	Inside corner, 4 in. (102 mm)
KIT-ODI-JT	-	Splice plate, 2 in. (51 mm)
KIT-ODI-JT-PE	-	Contour splice plate for BD option and/or heater with pedestals, 2 in. (51 mm)
KIT-ODI-PE	-	Round pedestal kit (2), 3 in. (76 mm)
KIT-ODI-PEC	-	Square-shaped pedestal kit (2), 2 in. (51 mm)
ODI-SV-XX	-	Empty cabinet with length of XX mm (minimum: 154 mm, maximum: 2632 mm)
Controls		
KIT-ODI-DIS20 ⁴	DIS20 ⁴	Disconnect switch, 20A at 277V max.
KIT-ODI-DIS40 ⁴	DIS40 ⁴	Disconnect switch, 40A at 600V max.
-	HA	Linear high-limit temperature control for high altitude (3000 ft. to 8200 ft.)
-	PM	Pneumatic relay, 20A at 600V max.
KIT-ODI-R-347	R	Single-pole relay, coil 24V, without transformer, 22A at 120V, 208V, 240V - 19A at 277V - 18A at 347V
KIT-ODI-R-600	R	Single-pole relay, coil 24V, without transformer, 12.5A at 480V, 10A at 600V
KIT-ODI-RT-120	RT	Single-pole relay, coil 24V, with transformer 120V/24V, 22A at 120V
KIT-ODI-RT-208	RT	Single-pole relay, coil 24V, with transformer 208V/24V, 22A at 208V
KIT-ODI-RT-240	RT	Single-pole relay, coil 24V, with transformer 240V/24V, 22A at 240V
KIT-ODI-RT-277	RT	Single-pole relay, coil 24V, with transformer 277V/24V, 19A at 277V
KIT-ODI-RT-347	RT	Single-pole relay, coil 24V, with transformer 347V/24V, 18A at 347V
KIT-ODI-RT-600 ²	RT ²	Single-pole relay, coil 24V, with transformer 600V/24V, 10A at 600V (2-wire only)
KIT-ODI-TB6	TB6	Single-pole bi-metal thermostat: 25A at 120V, 208V, 240V, 277V - 10A at 347V, 480V, 600V
KIT-ODI-TB26 ³	TB26 ³	Double-pole bi-metal thermostat: 25A at 120V, 208V, 240V, 277V - 10A at 347V, 480V, 600V
KIT-ODI-TB6-AV	TB6AV	Single-pole bi-metal tamperproof thermostat: 25A at 120V, 208V, 240V, 277V - 10A at 347V, 480V, 600V
KIT-ODI-TB26-AV ³	TB26AV ³	Double-pole bi-metal tamperproof thermostat: 25A at 120V, 208V, 240V, 277V - 10A at 347V, 480V, 600V
KIT-ODI-TRIAC-347	TRIAC	Single-pole electronic relay, coil 24V, without transformer, 15A at 347V max.
KIT-ODI-TRIAC-347T	TRIACT	Single-pole electronic relay, coil 24V, with transformer, 15A at 208V, 240V, 277V, 347V
KIT-ODI-TRIAC-600	TRIAC	Single-pole electronic relay, coil 24V, without transformer, 6A at 600V max.

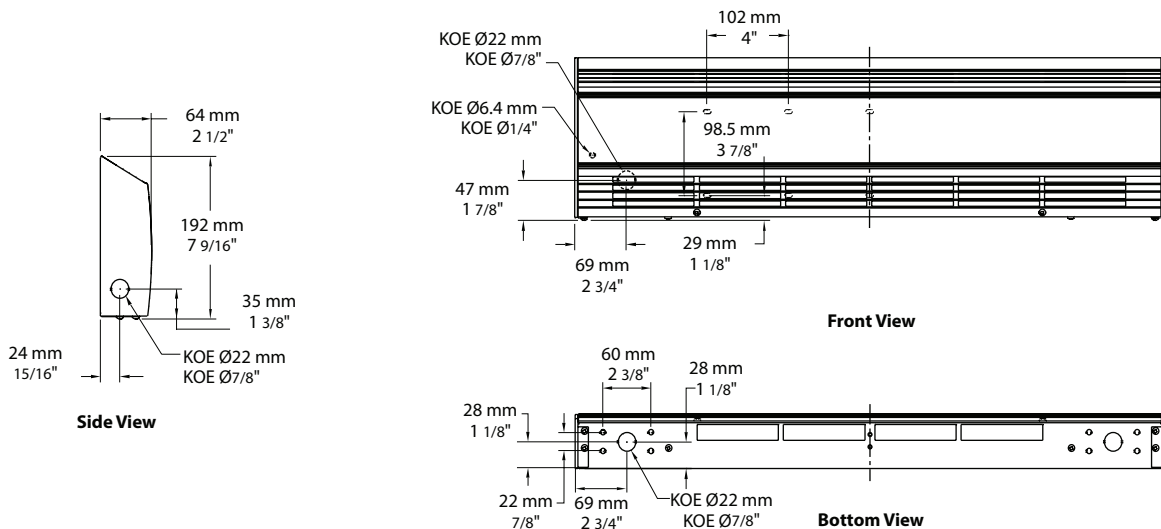
* For factory installed options, add the option number to the product number. See the **Product Code** section inside the front cover.

¹ For anodized aluminum heaters, the clean back option will be fixed with visible rivets.

² These 2-wire relays with transformer can't supply of 3-wire low voltage thermostats.

³ "Off" position.

⁴ For the U.S. only: The nominal current of the unit must not exceed 80% of the capacity of the disconnect.



OCB Heavy-Duty Aluminum Draft Barrier



With bottom fresh air inlet and pedestals



Features

Color

- Standard: white, almond.
- Optional (upcharge applicable): metallic silver, bronze, metallic charcoal, aluminum, semi-gloss black, sand.
- Custom colors available upon request.

Finish

- Standard: epoxy/polyester powder paint.
- Optional: anodized aluminum.

Voltage

- 120V, 208V, 240/208V, 277V, 347V, 480V, 600V, 50/60 Hz, 1-phase.

Construction

- 14-gauge (0.0787 in. [2 mm]) aluminum front cover.
- 18-gauge satin coat steel cabinet.
- Full length built-in wireway.
- Separate low voltage wireway (-WW) available.
- Pencil-proof openings less than 1/4 in. (6.4 mm).
- Front fresh air inlet; top warm air outlet.
 - Bottom fresh air inlet available (-BAI).
- Clean back available (-BD).
- Linear high-limit temperature control with automatic reset.
- End caps included.

Heating element

- Stainless steel tubular heating element with aluminum fins.
- Floating heating elements on high-temperature nylon bushings reducing expansion noises.

Watt density

- Standard watt density.
- Low watt density.

Control

- Built-in thermostat available with a control knob or tamperproof (installed on the right end only).
- Mechanical, electronic or pneumatic relays available (installed on the right end only).

Ouellet highly recommends to use an electronic wall thermostat for greater comfort.

Installation

- Heater must be installed at least 3 in. (76 mm) from finished floor (for -BAI option).
- Mounting holes spaced on 1 in. (25.4 mm) intervals for ease of installation.
- Wall or floor mounted installation.
- Variety of accessories available for wall-to-wall installation.
- Pedestal kit available.

Warranty

- 1-year warranty against defects.

Application

- Commercial building, office building, hospital, daycare center, private residence.

Average Standard Watt Density Models 275W/ft.

Watts	Watts 240/208V ¹	Product #					Length		Weight	
		120V	208V	240/208V	277V	480V	in.	mm	lb	kg
500	500/375	OCB0502	OCB0508	OCB0500	OCB0577	-	28	711	8.0	3.6
750	750/563	OCB0752	OCB0758	OCB0750	OCB0777	OCB0754	38	965	10.8	4.9
1000	1000/750	OCB1002	OCB1008	OCB1000	OCB1077	OCB1004	48 3/16	1224	13.7	6.2
1250	1250/938	OCB1252	OCB1258	OCB1250	OCB1277	OCB1254	57 11/16	1465	16.4	7.5
1500	1500/1125	OCB1502	OCB1508	OCB1500	OCB1577	OCB1504	66 7/16	1687	18.8	8.6
1750	1750/1313	-	OCB1758	OCB1750	OCB1777	OCB1754	75 13/16	1925	21.5	9.8
2000	2000/1500	-	OCB2008	OCB2000	OCB2077	OCB2004	84 9/16	2148	24.0	10.9
2250	2250/1688	-	OCB2258	OCB2250	OCB2277	OCB2254	93 1/2	2375	26.5	12.1
2500	2500/1875	-	OCB2508	OCB2500	OCB2577	OCB2504	102 5/8	2606	29.1	13.2

Average Low Watt Density Models

Product # ²	Length	Weight	Average Density W/ft.	Watts	Watts 240/208V ¹	120V	208V	240/208V	277V	480V
OCB020X-711	28" (711mm)	8.0 lb (3.6 kg)	100	200	200/150	✓	✓	✓	✓	-
OCB030X-711			150	300	300/225	✓	✓	✓	✓	-
OCB040X-711			200	400	400/300	✓	✓	✓	✓	-
OCB030X-965	38" (965 mm)	10.8 lb (4.9 kg)	100	300	300/225	✓	✓	✓	✓	-
OCB045X-965			150	450	450/338	✓	✓	✓	✓	-
OCB060X-965			200	600	600/450	✓	✓	✓	✓	-
OCB040X-1224	48 3/16" (1224 mm)	13.7 lb (6.2 kg)	100	400	400/300	✓	✓	✓	✓	-
OCB060X-1224			150	600	600/450	✓	✓	✓	✓	-
OCB080X-1224			200	800	800/600	✓	✓	✓	✓	✓
OCB050X-1465	57 11/16" (1465 mm)	16.4 lb (7.5 kg)	100	500	500/375	✓	✓	✓	✓	-
OCB075X-1465			150	750	750/563	✓	✓	✓	✓	✓
OCB100X-1465			200	1000	1000/750	✓	✓	✓	✓	✓
OCB060X-1687	66 7/16" (1687 mm)	18.8 lb (8.6 kg)	100	600	600/450	✓	✓	✓	✓	✓
OCB090X-1687			150	900	900/675	✓	✓	✓	✓	✓
OCB120X-1687			200	1200	1200/900	✓	✓	✓	✓	✓
OCB070X-1925	75 13/16" (1925 mm)	21.5 lb (9.8 kg)	100	700	700/525	✓	✓	✓	✓	✓
OCB105X-1925			150	1050	1050/788	✓	✓	✓	✓	✓
OCB140X-1925			200	1400	1400/1050	✓	✓	✓	✓	✓
OCB080X-2148	84 9/16" (2148 mm)	24.0 lb (10.9 kg)	100	800	800/600	✓	✓	✓	✓	✓
OCB120X-2148			150	1200	1200/900	✓	✓	✓	✓	✓
OCB160X-2148			200	1600	1600/1200	✓	✓	✓	✓	✓
OCB090X-2375	93 1/2" (2375 mm)	26.5 lb (12.1 kg)	100	900	900/675	✓	✓	✓	✓	✓
OCB135X-2375			150	1350	1350/1013	-	✓	✓	✓	✓
OCB180X-2375			200	1800	1800/1350	-	✓	✓	✓	✓
OCB100X-2606	102 5/8" (2606 mm)	29.1 lb (13.2 kg)	100	1000	1000/750	✓	✓	✓	✓	✓
OCB150X-2606			150	1500	1500/1125	-	✓	✓	✓	✓
OCB200X-2606			200	2000	2000/1500	-	✓	✓	✓	✓

¹ 208V = 75% of wattage at 240V.

² X = 2 (120V), 8 (208V), 0 (240/208V), 77 (277V), 7 (347V), 4 (480V), 6 (600V).

✓ = Available.

Add "BL" for white, "AM" for almond. Upcharge available for optional colors shown in the color chart section.

Other colors, accessories and finishes are available upon request. Please contact your customer service representative.

Other voltages available upon request.

Options

Product # Kit	Product # Factory installed*	Description
Finish		
-	BAI	Bottom fresh air inlet
-	BD ¹	Clean back
KIT-OCB-CE	-	Outside corner, 6 in. (152 mm)
KIT-OCB-CI	-	Inside corner, 6 in. (152 mm)
KIT-OCB-JT	-	Splice plate, 1 3/16 in. (30 mm)
KIT-OCB-JT-PE	-	Contour splice plate for BD option and/or heater with pedestals, 1 3/16 po (30 mm)
KIT-OCB-PE	-	Round pedestal kit (2), 3 in. (76 mm)
KIT-OCB-PEC	-	Square-shaped pedestal kit (2), 3 in. (76 mm)
OCB-SV-XX	-	Empty cabinet with length of XX mm (minimum: 154 mm, maximum: 2606 mm)
Controls		
KIT-OCB-DIS20 ³	DIS20 ³	Disconnect switch, 20A at 277V max.
-	PM	Pneumatic relay, 20A at 600V max.
KIT-OCB-R-347	R	Single-pole relay, coil 24V, without transformer, 22A at 120V, 208V, 240V - 19A at 277V - 18A at 347V
KIT-OCB-R-600	R	Single-pole relay, coil 24V, without transformer, 12.5A at 480V, 10A at 600V
KIT-OCB-RT-120	RT	Single-pole relay, coil 24V, with transformer 120V/24V, 22A at 120V
KIT-OCB-RT-208	RT	Single-pole relay, coil 24V, with transformer 208V/24V, 22A at 208V
KIT-OCB-RT-240	RT	Single-pole relay, coil 24V, with transformer 240V/24V, 22A at 240V
KIT-OCB-RT-277	RT	Single-pole relay, coil 24V, with transformer 277V/24V, 19A at 277V
KIT-OCB-RT-347	RT	Single-pole relay, coil 24V, with transformer 347V/24V, 18A at 347V
KIT-OCB-RT-600 ²	RT ²	Single-pole relay, coil 24V, with transformer 600V/24V, 10A at 600V (2-wire only)
KIT-OCB-T	T	Single-pole thermostat: 30A at 120V, 208V, 240V - 15A at 277V, 347V, 600V
KIT-OCB-T2 ⁴	T2 ⁴	Double-pole thermostat: 30A at 120V, 208V, 240V - 15A at 347V, 600V
KIT-OCB-T-AV	TAV	Single-pole tamperproof thermostat: 30A at 120V, 208V, 240V - 15A at 277V, 347V, 600V
KIT-OCB-T2-AV ⁴	T2AV ⁴	Double-pole tamperproof thermostat: 30A at 120V, 208V, 240V - 15A at 347V, 600V
KIT-OCB-TRIAC-347	TRIAC	Single-pole electronic relay, coil 24V, without transformer, 15A at 347V max.
KIT-OCB-TRIAC-347T	TRIACT	Single-pole electronic relay, coil 24V, with transformer, 15A at 208V, 240V, 277V, 347V
KIT-OCB-TRIAC-600	TRIAC	Single-pole electronic relay, coil 24V, without transformer, 6A at 600V max.
-	WW	24V wireway

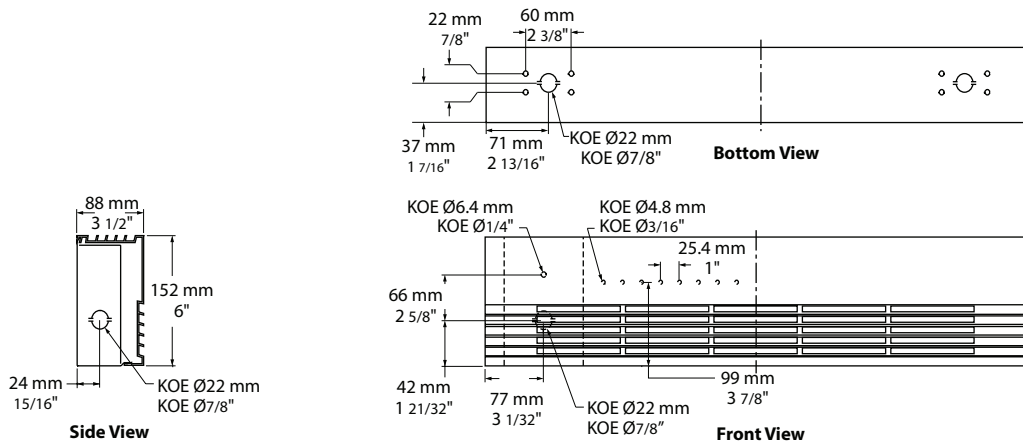
* For factory installed options, add the option number to the product number. See the **Product Code** section inside the front cover.

¹ For anodized aluminum heaters, the clean back option will be fixed with visible rivets.

² These 2-wire relays with transformer can't supply of 3-wire low voltage thermostats.

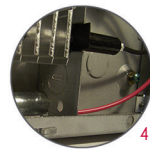
³ For the U.S. only: The nominal current of the unit must not exceed 80% of the capacity of the disconnect.

⁴ "Off" position.



ODBA Steel Draft Barrier

ODIA Steel Sloped Top Draft Barrier



Features

Color

- Standard: white, almond.
- Optional (upcharge applicable): metallic silver, bronze, metallic charcoal, aluminum, semi-gloss black, sand.
- Custom colors available upon request.

Finish

- Standard: epoxy/polyester powder paint.

Voltage

- 120V, 208V, 240V/208V, 277V, 347V, 480V, 600V, 50/60 Hz, 1-phase.

Construction

- 16-gauge steel front cover. 1
- 18-gauge satin coat steel cabinet.
- Screw assembly for added strength.
- Full length built-in wireway.
- Front fresh air inlet; top warm air outlet. 2
 - Bottom fresh air inlet available (-BAI).
- Clean back available (-BD).
- Linear high-limit temperature control with automatic reset. High altitude version available (-HA).
- End caps included. 3

Heating element

- Stainless steel tubular heating element with aluminum fins.
- Floating heating element on high-temperature nylon bushings reducing expansion noises. 4

Watt density

- Standard watt density.
- Low watt density.

Control

- Built-in thermostat available with a control knob or tamperproof.
- Mechanical, electronic or pneumatic relays available (installed on the right end only).

Ouellet highly recommends to use an electronic wall thermostat for greater comfort.

Installation

- Heater must be installed at least 2 in. (51 mm) from finished floor (for -BAI option).
- Mounting holes spaced on 4 in. (102 mm) intervals for ease of installation.
- Wall or floor mounted installation.
- Variety of accessories available for wall-to-wall installation.
- Pedestal kit available. 5

Warranty

- 1-year warranty against defects.

Application

- Commercial building, office building, hospital, daycare center, private residence.

ODBA Steel Draft Barrier



With bottom fresh air inlet and pedestals



Average Standard Watt Density Models 275W/ft.¹

Watts	Watts 240/208V	120V	208V	Product #			Length		Weight	
				240/208V	277V	480V	in.	mm	lb	kg
500	500/375	ODBA0502	ODBA0508	ODBA0500	ODBA0577	-	28 7/8	733	10.5	4.8
750	750/563	ODBA0752	ODBA0758	ODBA0750	ODBA0777	ODBA0754	38 7/8	987	12.7	5.8
1000	1000/750	ODBA1002	ODBA1008	ODBA1000	ODBA1077	ODBA1004	49 1/8	1248	14.9	6.8
1250	1250/938	ODBA1252	ODBA1258	ODBA1250	ODBA1277	ODBA1254	58 5/8	1489	17.0	7.7
1500	1500/1125	ODBA1502	ODBA1508	ODBA1500	ODBA1577	ODBA1504	67 5/16	1710	18.8	8.5
1750	1750/1313	-	ODBA1758	ODBA1750	ODBA1777	ODBA1754	76 5/8	1947	20.8	9.4
2000	2000/1500	-	ODBA2008	ODBA2000	ODBA2077	ODBA2004	85 7/16	2170	22.7	10.3
2250	2250/1688	-	ODBA2258	ODBA2250	ODBA2277	ODBA2254	94 5/16	2395	24.6	11.2
2500	2500/1875	-	ODBA2508	ODBA2500	ODBA2577	ODBA2504	103 7/16	2627	26.6	12.1

Average Low Watt Density Models

Product # ³	Length	Weight	Average Density W/ft.	Watts	Watts 240/208V	120V	208V	240/208V	277V	480V
ODBA020X-733	28 7/8" (733 mm)	10.5 lb (4.8 kg)	100	200	200/150	✓	✓	✓	-	-
ODBA030X-733			150	300	300/225	✓	✓	✓	-	-
ODBA040X-733 ¹			200	400	400/300	✓	✓	✓	✓	-
ODBA030X-987	38 7/8" (987 mm)	12.7 lb (5.8 kg)	100	300	300/225	✓	✓	✓	✓	-
ODBA045X-987			150	450	450/338	✓	✓	✓	✓	-
ODBA060X-987 ¹			200	600	600/450	✓	✓	✓	✓	-
ODBA040X-1248	49 1/8" (1248 mm)	14.9 lb (6.8 kg)	100	400	400/300	✓	✓	✓	✓	-
ODBA060X-1248			150	600	600/450	✓	✓	✓	✓	-
ODBA080X-1248 ¹			200	800	800/600	✓	✓	✓	✓	✓
ODBA050X-1489	58 5/8" (1489 mm)	17.0 lb (7.7 kg)	100	500	500/375	✓	✓	✓	✓	-
ODBA075X-1489			150	750	750/563	✓	✓	✓	✓	✓
ODBA100X-1489 ¹			200	1000	1000/750	✓	✓	✓	✓	✓
ODBA060X-1710	67 5/16" (1710 mm)	18.8 lb (8.5 kg)	100	600	600/450	✓	✓	✓	✓	✓
ODBA090X-1710			150	900	900/675	✓	✓	✓	✓	✓
ODBA120X-1710 ¹			200	1200	1200/900	✓	✓	✓	✓	✓
ODBA070X-1947	76 5/8" (1947 mm)	20.8 lb (9.4 kg)	100	700	700/525	✓	✓	✓	✓	✓
ODBA105X-1947			150	1050	1050/788	✓	✓	✓	✓	✓
ODBA140X-1947 ¹			200	1400	1400/1050	✓	✓	✓	✓	✓
ODBA080X-2170	85 7/16" (2170 mm)	22.7 lb (10.3 kg)	100	800	800/600	✓	✓	✓	✓	✓
ODBA120X-2170			150	1200	1200/900	✓	✓	✓	✓	✓
ODBA160X-2170 ¹			200	1600	1600/1200	-	✓	✓	✓	✓
ODBA090X-2395	94 5/16" (2395 mm)	24.6 lb (11.2 kg)	100	900	900/675	✓	✓	✓	✓	✓
ODBA135X-2395			150	1350	1350/1013	-	✓	✓	✓	✓
ODBA180X-2395 ¹			200	1800	1800/1350	-	✓	✓	✓	✓
ODBA100X-2627	103 7/16" (2627 mm)	26.6 lb (12.1 kg)	100	1000	1000/750	✓	✓	✓	✓	✓
ODBA150X-2627			150	1500	1500/1125	-	✓	✓	✓	✓
ODBA200X-2627 ¹			200	2000	2000/1500	-	✓	✓	✓	✓
ODBA225X-2627 ¹			200	2250	2250/1688	-	✓	✓	✓	✓

¹ Not for residential use in the United States.

² 208V = 75% of wattage at 240V.

³ X = 2 (120V), 8 (208V), 0 (240/208V), 77 (277V), 7 (347V), 4 (480V), 6 (600V).

✓ = Available.

Add "BL" for white, "AM" for almond. Optional colors shown in the color chart section are available upon request.

Other colors, accessories and finishes are available upon request. Please contact your customer service representative.

Other voltages available upon request.

ODBA

Options

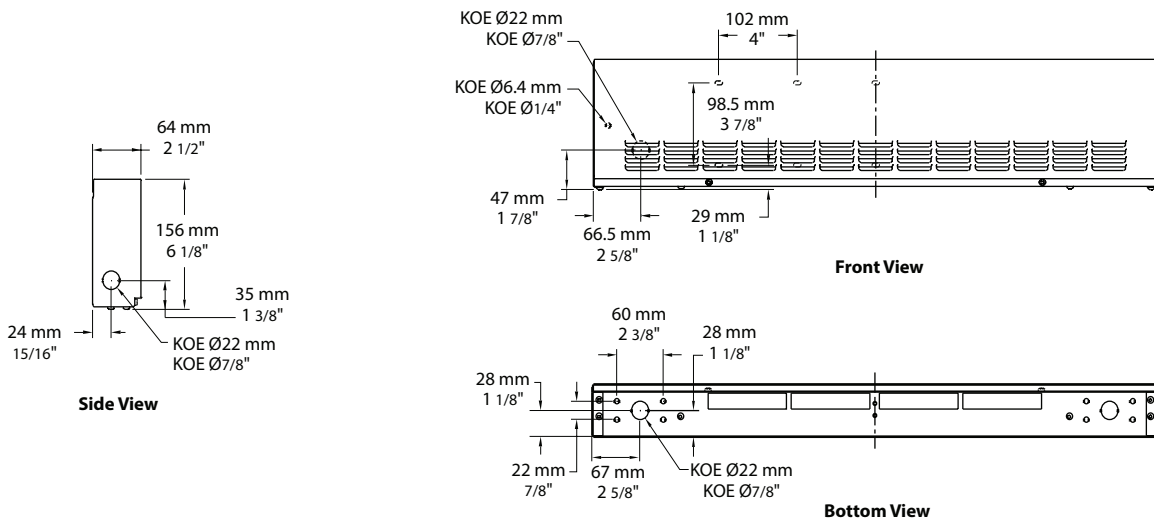
Product # Kit	Product # Factory installed*	Description
Finish		
-	BAI	Bottom fresh air inlet
-	BD	Clean back
KIT-ODBA-CE	-	Outside corner, 4 in. (102 mm)
KIT-ODBA-CI	-	Inside corner, 4 in. (102 mm)
KIT-ODBA-JT	-	Splice plate, 2 in. (51 mm)
KIT-ODBA-JT-PE	-	Contour splice plate for BD option and/or heater with pedestals, 2 in. (51 mm)
KIT-ODBA-PE	-	Round pedestal kit (2), 3 in. (76 mm)
KIT-ODBA-PEC	-	Square-shaped pedestal kit (2), 2 in. (51 mm)
ODBA-SV-XX	-	Empty cabinet length of XX mm (minimum: 154 mm, maximum: 2625 mm)
Controls		
KIT-ODBA-DIS20 ³	DIS20 ³	Disconnect switch, 20A at 277V max.
KIT-ODBA-DIS40 ³	DIS40 ³	Disconnect switch, 40A at 600V max.
-	HA	Linear high-limit temperature control for high altitude (3000 ft. to 8200 ft.)
-	PM	Pneumatic relay, 20A at 600V max.
KIT-ODBA-R-347	R	Single-pole relay, coil 24V, without transformer, 22A at 120V, 208V, 240V - 19A at 277V - 18A at 347V
KIT-ODBA-R-600	R	Single-pole relay, coil 24V, without transformer, 12.5A at 480V, 10A at 600V
KIT-ODBA-RT-120	RT	Single-pole relay, coil 24V, with transformer 120V/24V, 22A at 120V
KIT-ODBA-RT-208	RT	Single-pole relay, coil 24V, with transformer 208V/24V, 22A at 208V
KIT-ODBA-RT-240	RT	Single-pole relay, coil 24V, with transformer 240V/24V, 22A at 240V
KIT-ODBA-RT-277	RT	Single-pole relay, coil 24V, with transformer 277V/24V, 19A at 277V
KIT-ODBA-RT-347	RT	Single-pole relay, coil 24V, with transformer 347V/24V, 18A at 347V
KIT-ODBA-RT-600 ¹	RT ¹	Single-pole relay, coil 24V, with transformer 600V/24V, 10A at 600V (2-wire only)
KIT-ODBA-TB6	TB6	Single-pole bi-metal thermostat: 25A at 120V, 208V, 240V, 277V - 10A at 347V, 480V, 600V
KIT-ODBA-TB26 ²	TB26 ²	Double-pole bi-metal thermostat: 25A at 120V, 208V, 240V, 277V - 10A at 347V, 480V, 600V
KIT-ODBA-TB6-AV	TB6AV	Single-pole bi-metal tamperproof thermostat: 25A at 120V, 208V, 240V, 277V - 10A at 347V, 480V, 600V
KIT-ODBA-TB26-AV ²	TB26AV ²	Double-pole bi-metal tamperproof thermostat: 25A at 120V, 208V, 240V, 277V - 10A at 347V, 480V, 600V
KIT-ODBA-TRIAC-347	TRIAC	Single-pole electronic relay, coil 24V, without transformer, 15A max. at 347V max.
KIT-ODBA-TRIAC-347T	TRIACT	Single-pole electronic relay, coil 24V, with transformer, 15A at 208V, 240V, 277V, 347V
KIT-ODBA-TRIAC-600	TRIAC	Single-pole electronic relay, coil 24V, without transformer, 6A at 600V max.

* For factory installed options, add the option number to the product number. See the **Product Code** section inside the front cover.

¹ These 2-wire relays with transformer can't supply of 3-wire low voltage thermostats.

² "Off" position.

³ For the U.S. only: The nominal current of the unit must not exceed 80% of the capacity of the disconnect.



ODIA Steel Sloped Top Draft Barrier



With bottom fresh air inlet and pedestals



Average Standard Watt Density Models 275W/ft.¹

Watts	Watts 240/208V ²	Product #					Length		Weight	
		120V	208V	240/208V	277V	480V	in.	mm	lb	kg
500	500/375	ODIA0502	ODIA0508	ODIA0500	ODIA0577	-	28 7/8	733	11.6	5.3
750	750/563	ODIA0752	ODIA0758	ODIA0750	ODIA0777	ODIA0754	38 7/8	987	15.1	6.9
1000	1000/750	ODIA1002	ODIA1008	ODIA1000	ODIA1077	ODIA1004	49 1/8	1248	18.7	8.5
1250	1250/938	ODIA1252	ODIA1258	ODIA1250	ODIA1277	ODIA1254	58 5/8	1489	22.0	10.0
1500	1500/1125	ODIA1502	ODIA1508	ODIA1500	ODIA1577	ODIA1504	67 5/16	1710	25.0	11.4
1750	1750/1313	-	ODIA1758	ODIA1750	ODIA1777	ODIA1754	76 5/8	1947	28.3	12.8
2000	2000/1500	-	ODIA2008	ODIA2000	ODIA2077	ODIA2004	85 7/16	2170	31.3	14.2
2250	2250/1688	-	ODIA2258	ODIA2250	ODIA2277	ODIA2254	94 5/16	2395	34.4	15.6
2500	2500/1875	-	ODIA2508	ODIA2500	ODIA2577	ODIA2504	103 7/16	2627	37.6	17.1

Average Low Watt Density Models

Product # ³	Length	Weight	Average Density W/ft.	Watts	Watts 240/208V ²	120V	208V	240/208V	277V	480V
ODIA020X-733	28 7/8" (733 mm)	11.6 lb (5.3 kg)	100	200	200/150	✓	✓	✓	-	-
ODIA030X-733			150	300	300/225	✓	✓	✓	-	-
ODIA040X-733 ¹			200	400	400/300	✓	✓	✓	-	-
ODIA030X-987	38 7/8" (987 mm)	15.1 lb (6.9 kg)	100	300	300/225	✓	✓	✓	✓	-
ODIA045X-987			150	450	450/338	✓	✓	✓	✓	-
ODIA060X-987 ¹			200	600	600/450	✓	✓	✓	✓	-
ODIA040X-1248	49 1/8" (1248 mm)	18.7 lb (8.5 kg)	100	400	400/300	✓	✓	✓	✓	-
ODIA060X-1248			150	600	600/450	✓	✓	✓	✓	-
ODIA080X-1248 ¹			200	800	800/600	✓	✓	✓	✓	✓
ODIA050X-1489	58 5/8" (1489 mm)	22.0 lb (10.0 kg)	100	500	500/375	✓	✓	✓	✓	-
ODIA075X-1489			150	750	750/563	✓	✓	✓	✓	✓
ODIA100X-1489 ¹			200	1000	1000/750	✓	✓	✓	✓	✓
ODIA060X-1710	67 5/16" (1710 mm)	25.0 lb (11.4 kg)	100	600	600/450	✓	✓	✓	✓	✓
ODIA090X-1710			150	900	900/675	✓	✓	✓	✓	✓
ODIA120X-1710 ¹			200	1200	1200/900	✓	✓	✓	✓	✓
ODIA070X-1947	76 5/8" (1947 mm)	28.3 lb (12.8 kg)	100	700	700/525	✓	✓	✓	✓	✓
ODIA105X-1947			150	1050	1050/788	✓	✓	✓	✓	✓
ODIA140X-1947 ¹			200	1400	1400/1050	✓	✓	✓	✓	✓
ODIA080X-2170	85 7/16" (2170 mm)	31.3 lb (14.2 kg)	100	800	800/600	✓	✓	✓	✓	✓
ODIA120X-2170			150	1200	1200/900	✓	✓	✓	✓	✓
ODIA160X-2170 ¹			200	1600	1600/1200	-	✓	✓	✓	✓
ODIA090X-2395	94 5/16" (2395 mm)	34.4 lb (15.6 kg)	100	900	900/675	✓	✓	✓	✓	✓
ODIA135X-2395			150	1350	1350/1013	-	✓	✓	✓	✓
ODIA180X-2395 ¹			200	1800	1800/1350	-	✓	✓	✓	✓
ODIA100X-2627	103 7/16" (2627 mm)	37.6 lb (17.1 kg)	100	1000	1000/750	✓	✓	✓	✓	✓
ODIA150X-2627			150	1500	1500/1125	-	✓	✓	✓	✓
ODIA200X-2627 ¹			200	2000	2000/1500	-	✓	✓	✓	✓
ODIA225X-2627 ¹			200	2250	2250/1688	-	✓	✓	✓	✓

¹ Not for residential use in the United States.

² 208V = 75% of wattage at 240V.

³ X = 2 (120V), 8 (208V), 0 (240/208V), 77 (277V), 7 (347V), 4 (480V), 6 (600V).

✓ = Available.

Add "BL" for white, "AM" for almond. Optional colors shown in the color chart section are available upon request.

Other colors, accessories and finishes are available upon request. Please contact your customer service representative.

Other voltages available upon request.

ODIA

Options

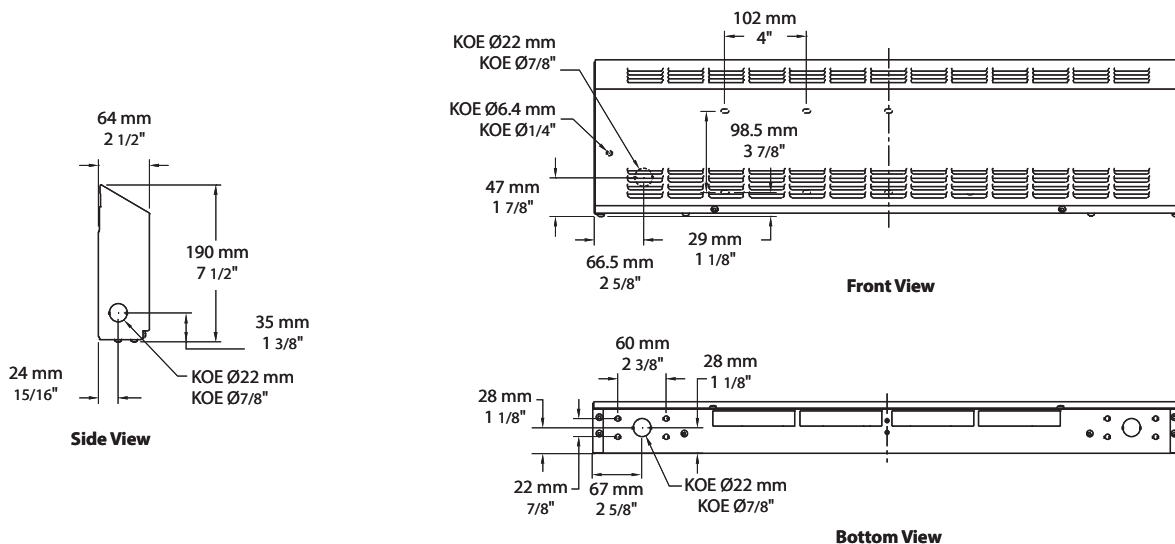
Product # Kit	Product # Factory installed*	Description
Finish		
-	BAI	Bottom fresh air inlet
-	BD	Clean back
KIT-ODIA-CE	-	Outside corner, 4 in. (102 mm)
KIT-ODIA-CI	-	Inside corner, 4 in. (102 mm)
KIT-ODIA-JT	-	Splice plate, 2 in. (51 mm)
KIT-ODIA-JT-PE	-	Contour splice plate for BD option and/or heater with pedestals, 2 in. (51 mm)
KIT-ODIA-PE	-	Round pedestal kit (2), 3 in. (76 mm)
KIT-ODIA-PEC	-	Square-shaped pedestal kit (2), 2 in. (51 mm)
ODIA-SV-XX	-	Empty cabinet length of XX mm (minimum: 154 mm, maximum: 2625 mm)
Controls		
KIT-ODIA-DIS20 ³	DIS20 ³	Disconnect switch, 20A at 277V max.
KIT-ODIA-DIS40 ³	DIS40 ³	Disconnect switch, 40A at 600V max.
-	HA	Linear high limit temperature control for high altitude (3000 ft. to 8200 ft.)
-	PM	Pneumatic relay, 20A at 600V max.
KIT-ODIA-R-347	R	Single-pole relay, coil 24V, without transformer, 22A at 120V, 208V, 240V - 19A at 277V - 18A at 347V
KIT-ODIA-R-600	R	Single-pole relay, coil 24V, without transformer, 12.5A at 480V, 10A at 600V
KIT-ODIA-RT-120	RT	Single-pole relay, coil 24V, with transformer 120V/24V, 22A at 120V
KIT-ODIA-RT-208	RT	Single-pole relay, coil 24V, with transformer 208V/24V, 22A at 208V
KIT-ODIA-RT-240	RT	Single-pole relay, coil 24V, with transformer 240V/24V, 22A at 240V
KIT-ODIA-RT-277	RT	Single-pole relay, coil 24V, with transformer 277V/24V, 19A at 277V
KIT-ODIA-RT-347	RT	Single-pole relay, coil 24V, with transformer 347V/24V, 18A at 347V
KIT-ODIA-RT-600 ¹	RT ¹	Single-pole relay, coil 24V, with transformer 600V/24V, 10A at 600V (2-wire only)
KIT-ODIA-TB6	TB6	Single-pole bi-metal thermostat: 25A at 120V, 208V, 240V, 277V - 10A at 347V, 480V, 600V
KIT-ODIA-TB26 ²	TB26 ²	Double-pole bi-metal thermostat: 25A at 120V, 208V, 240V, 277V - 10A at 347V, 480V, 600V
KIT-ODIA-TB6-AV	TB6AV	Single-pole bi-metal tamperproof thermostat: 25A at 120V, 208V, 240V, 277V - 10A at 347V, 480V, 600V
KIT-ODIA-TB26-AV ²	TB26AV ²	Double-pole bi-metal tamperproof thermostat: 25A at 120V, 208V, 240V, 277V - 10A at 347V, 480V, 600V
KIT-ODIA-TRIAC-347	TRIAC	Single-pole electronic relay, coil 24V, without transformer, 15A at 347V max.
KIT-ODIA-TRIAC-347T	TRIACT	Single-pole electronic relay, coil 24V, with transformer, 15A at 208V, 240V, 277V, 347V
KIT-ODIA-TRIAC-600	TRIAC	Single-pole electronic relay, coil 24V, without transformer, 6A at 600V max.

* For factory installed options, add the option number to the product number. See the **Product Code** section inside the front cover.

¹ These 2-wire relays with transformer can't supply of 3-wire low voltage thermostats.

² "Off" position.

³ For the U.S. only: The nominal current of the unit must not exceed 80% of the capacity of the disconnect.



OPR Heavy-Duty Steel Draft Barrier



With pedestals



Features

Color

- Standard: white, almond.
- Optional (upcharge applicable): metallic silver, bronze, metallic charcoal, aluminum, semi-gloss black, sand.
- Custom colors available upon request.

Finish

- Standard: epoxy/polyester powder paint.

Voltage

- 120V, 208V, 240/208V, 277V, 347V, 480V, 600V, 1-phase.

Construction

- 16-gauge steel front.
- 18-gauge steel cabinet.
- Full length built-in wireway.
- Interior parts protected by a louvre grille.
- Pencil-proof openings less than 1/4 in. (6.4 mm).
- Clean back available (-BD).
- Linear high-limit temperature control with automatic reset.

Heating element

- Stainless steel tubular heating element with aluminum fins.
- Floating heating element on high-temperature nylon bushings reducing expansion noises.

Watt density

- Average standard watt density of 275W/ft
- Average low watt density of 100W/ft., 150W/ft., 200W/ft.

Control

- Built-in thermostat available with a control knob or tamperproof (installed on the left end only).
- Mechanical or electronic relays available (installed on the left end only).

Ouellet highly recommends to use an electronic wall thermostat for greater comfort.

Installation

- Not for residential use in the United States.
- Wall or floor mounted installation.
- Mounting holes spaced at 2 in. (51 mm) intervals for ease of installation.
- Variety of accessories available for wall-to-wall installation.
- Pedestal kit available.

Warranty

- 1-year warranty against defects.

Application

- Commercial building, office building, hospital, daycare center, penal institution.

Average Standard Watt Density Models 275W/ft.

Watts	Watts 240/208V ¹	Product #					Length		Weight	
		120V	208V	240/208V	277V	480V	in.	mm	lb	kg
300	300/225	OPR0302	OPR0308	OPR0300	-	-	20 9/16	522	10.4	4.7
500	500/375	OPR0502	OPR0508	OPR0500	OPR0577	-	25 1/2	647	14.0	6.4
750	750/563	OPR0752	OPR0758	OPR0750	OPR0777	OPR0754	35 1/2	901	20.0	9.1
1000	1000/750	OPR1002	OPR1008	OPR1000	OPR1077	OPR1004	45 3/4	1162	26.0	11.8
1250	1250/938	OPR1252	OPR1258	OPR1250	OPR1277	OPR1254	55 1/4	1403	32.0	14.6
1500	1500/1125	OPR1502	OPR1508	OPR1500	OPR1577	OPR1504	63 15/16	1624	37.0	16.8
1750	1750/1313	-	OPR1758	OPR1750	OPR1777	OPR1754	73 1/4	1861	43.0	19.6
2000	2000/1500	-	OPR2008	OPR2000	OPR2077	OPR2004	82 1/16	2084	47.5	21.6
2250	2250/1688	-	OPR2258	OPR2250	OPR2277	OPR2254	90 15/16	2309	53.5	24.3
2500	2500/1875	-	OPR2508	OPR2500	OPR2577	OPR2504	100	2541	58.4	26.6

Average Low Watt Density Models

Product # ²	Length	Weight	Average Density W/ft.	Watts	Watts 240/208V ¹	120V	208V	240/208V	277V	480V
OPR020X-647	25 1/2" (647mm)	14.0 lb (6.4 kg)	100	200	200/150	✓	✓	✓	-	-
OPR030X-647			150	300	300/225	✓	✓	✓	-	-
OPR040X-647			200	400	400/300	✓	✓	✓	✓	-
OPR030X-901	35 1/2" (901 mm)	20.0 lb (9.1 kg)	100	300	300/225	✓	✓	✓	✓	-
OPR045X-901			150	450	450/338	✓	✓	✓	✓	-
OPR060X-901			200	600	600/450	✓	✓	✓	✓	-
OPR040X-1162	45 3/4" (1162 mm)	26.0 lb (11.8 kg)	100	400	400/300	✓	✓	✓	✓	-
OPR060X-1162			150	600	600/450	✓	✓	✓	✓	-
OPR080X-1162			200	800	800/600	✓	✓	✓	✓	✓
OPR050X-1403	55 1/4" (1403 mm)	32.0 lb (14.6 kg)	100	500	500/375	✓	✓	✓	✓	-
OPR075X-1403			150	750	750/563	✓	✓	✓	✓	✓
OPR100X-1403			200	1000	1000/750	✓	✓	✓	✓	✓
OPR060X-1624	63 15/16" (1624 mm)	37.0 lb (16.8 kg)	100	600	600/450	✓	✓	✓	✓	✓
OPR090X-1624			150	900	900/675	✓	✓	✓	✓	✓
OPR120X-1624			200	1200	1200/900	✓	✓	✓	✓	✓
OPR070X-1861	73 1/4" (1861 mm)	43.0 lb (19.6 kg)	100	700	700/525	✓	✓	✓	✓	✓
OPR105X-1861			150	1050	1050/788	✓	✓	✓	✓	✓
OPR140X-1861			200	1400	1400/1050	✓	✓	✓	✓	✓
OPR080X-2084	82 1/16" (2084 mm)	47.5 lb (21.6 kg)	100	800	800/600	✓	✓	✓	✓	✓
OPR120X-2084			150	1200	1200/900	✓	✓	✓	✓	✓
OPR160X-2084			200	1600	1600/1200	✓	✓	✓	✓	✓
OPR090X-2309	90 15/16" (2309 mm)	53.5 lb (24.3 kg)	100	900	900/675	✓	✓	✓	✓	✓
OPR135X-2309			150	1350	1350/1013	-	✓	✓	✓	✓
OPR180X-2309			200	1800	1800/1350	-	✓	✓	✓	✓
OPR100X-2541	100" (2541 mm)	58.4 lb (26.6 kg)	100	1000	1000/750	✓	✓	✓	✓	✓
OPR150X-2541			150	1500	1500/1125	-	✓	✓	✓	✓
OPR200X-2541			200	2000	2000/1500	-	✓	✓	✓	✓

¹ 208V = 75% of wattage at 240V.

² X = 2 (120V), 8 (208V), 0 (240/208V), 77 (277V), 7 (347V), 4 (480V), 6 (600V).

✓ = Available.

Add "BL" for white, "AM" for almond. Upcharge available for optional colors shown in the color chart section.

Other colors, accessories and finishes are available upon request. Please contact your customer service representative.

Other voltages available upon request.

OPR

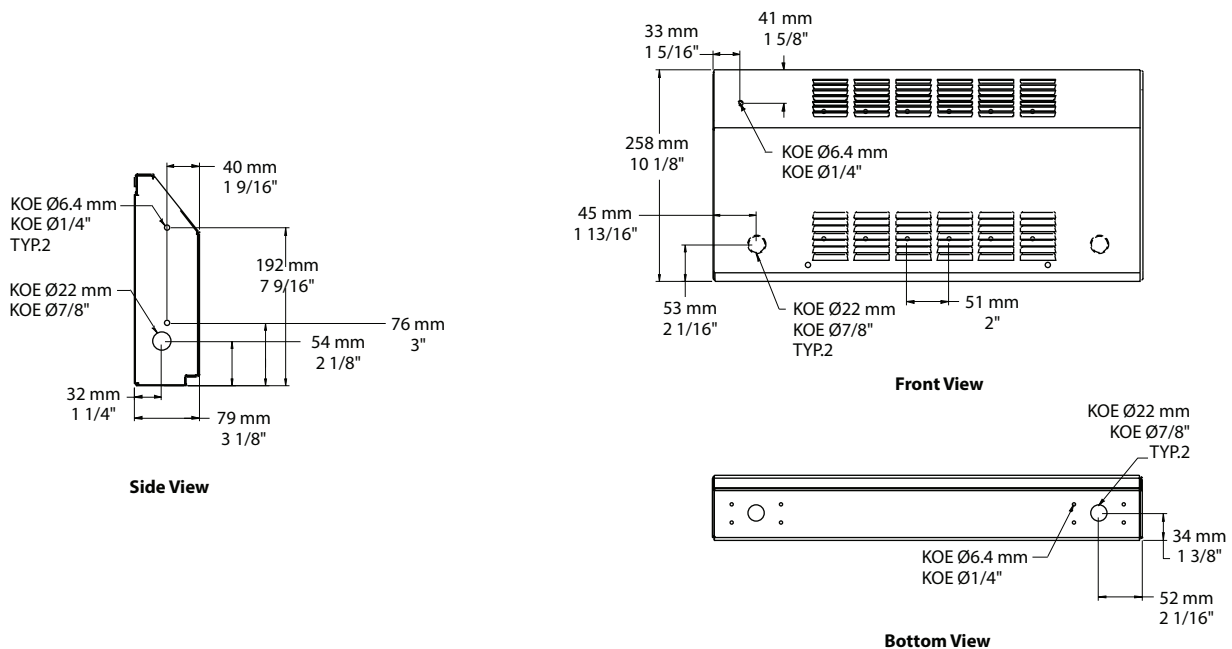
Options

Product # Kit	Product # Factory installed*	Description
Finish		
-	BD	Clean back
KIT-OPR-BR	-	Relay section, 5 in. (127 mm)
KIT-OPR-CE	-	Outside corner, 5 in. (127 mm)
KIT-OPR-CI	-	Inside corner, 5 in. (127 mm)
KIT-OPR-JT	-	Splice plate, 3 1/8 in. (80 mm)
KIT-OPR-PE	-	Round pedestal kit (2), 3 in. (76 mm)
KIT-OPR-PEC	-	Square-shaped pedestal kit (2), 3 in. (76 mm)
OPR-SV-XX	-	Empty cabinet length of XX mm (minimum: 154 mm, maximum: 2541 mm)
Controls		
KIT-OPR-R-347	R	Single-pole relay, coil 24V, without transformer, 22A at 120V, 208V, 240V - 19A at 277V - 18A at 347V
KIT-OPR-R-600	R	Single-pole relay, coil 24V, without transformer, 12.5A at 480V, 10A at 600V
KIT-OPR-RT-120	RT	Single-pole relay, coil 24V, with transformer 120V/24V, 22A at 120V
KIT-OPR-RT-208	RT	Single-pole relay, coil 24V, with transformer 208V/24V, 22A at 208V
KIT-OPR-RT-240	RT	Single-pole relay, coil 24V, with transformer 240V/24V, 22A at 240V
KIT-OPR-RT-277	RT	Single-pole relay, coil 24V, with transformer 277V/24V, 19A at 277V
KIT-OPR-RT-347	RT	Single-pole relay, coil 24V, with transformer 347V/24V, 18A at 347V
KIT-OPR-RT-600 ¹	RT ¹	Single-pole relay, coil 24V, with transformer 600V/24V, 10A at 600V (2-wire only)
KIT-OPR-T	T	Single-pole thermostat: 30A at 120V, 208V, 240V - 15A at 277V, 347V, 600V
KIT-OPR-T2 ²	T2 ²	Double-pole thermostat: 30A at 120V, 208V, 240V - 15A at 277V, 347V, 600V
KIT-OPR-T-AV	TAV	Single-pole tamperproof thermostat: 30A at 120V, 208V, 240V - 15A at 277V, 347V, 600V
KIT-OPR-T2-AV ²	T2AV ²	Double-pole tamperproof thermostat: 30A at 120V, 208V, 240V - 15A at 277V, 347V, 600V
KIT-OPR-TRIAC-347	TRIAC	Single-pole electronic relay, coil 24V, without transformer, 15A at 347V max.
KIT-OPR-TRIAC-347T	TRIACT	Single-pole electronic relay, coil 24V, with transformer, 15A at 208V, 240V, 277V, 347V
KIT-OPR-TRIAC-600	TRIAC	Single-pole electronic relay, coil 24V, without transformer, 6A at 600V max.

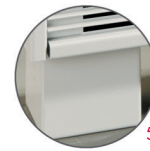
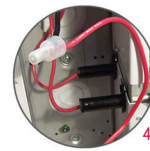
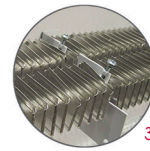
* For factory installed options, add the option number to the product number. See the **Product Code** section inside the front cover.

¹ These 2-wire relays with transformer can't supply of 3-wire low voltage thermostats.

² "Off" position.



OPA Architectural Cabinet Convector



Features

Color

- Standard: white, almond.
- Optional: metallic silver, bronze, metallic charcoal, textured black, beige-grey, aluminum, semi-gloss black, sand.
- Custom colors available upon request.

Finish

- Standard: epoxy/polyester powder paint.

Voltage

- 208V, 240/208V, 240V, 277V, 347V, 480V, 600V, 1-phase.

Construction

- 20-gauge steel cabinet.
- 16-gauge steel front cover. **1**
- Extruded aluminum bar grilles prevent insertion of foreign objects. **2**
- Front fresh air inlet; top warm air outlet.
 - Front warm air outlet available (-FR).
- Clean back available (-BD).
- Linear high-limit temperature control with automatic reset.

Heating element

- Two stainless steel tubular heating elements with aluminum fins. **3**
- Floating elements on high-temperature nylon bushings reducing expansion noises. **4**

Watt density

- Standard watt density.
- Low watt density.

Control

- Built-in tamperproof thermostat available.
- Mechanical, electronic or pneumatic relays available.

Ouellet highly recommends to use an electronic wall thermostat for greater comfort.

Installation

- Not for residential use in the United States.
- Wall or floor mounted installation.
- Front outlet -FR models may be recessed.
- Mounting holes spaced on 2 in. (51 mm) intervals for ease of installation.
- Variety of accessories available for wall-to-wall installation.
- Pedestal kit or sub-base available. **5**

Warranty

- 1-year warranty against defects.

Application

- Commercial building, office building, hospital, daycare center.

Average Standard Watt Density Models 500W/ft.

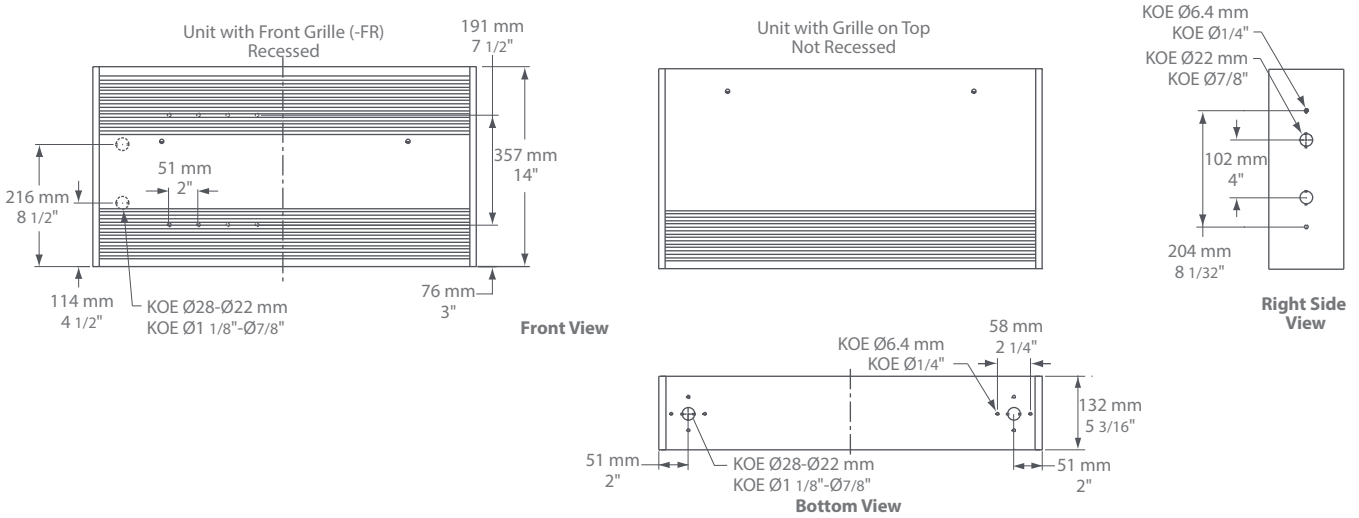
Watts	Watts 240/208V ²	Product #				Length		Weight	
		208V	240/208V	277V	480V	in.	mm	lb	kg
1000	1000/750	OPA1008	OPA1000	OPA1077	OPA1004	27 3/16	690	30.0	13.6
1500	1500/1125	OPA1508	OPA1500	OPA1577	OPA1504	37 3/16	944	46.0	20.9
2000	2000/1500	OPA2008	OPA2000	OPA2077	OPA2004	47 3/16	1198	57.0	25.9
2500	2500/1875	OPA2508	OPA2500	OPA2577	OPA2504	57 3/16	1452	66.0	29.9
3000	3000/2250	OPA3008	OPA3000	OPA3077	OPA3004 ¹	65 3/16	1655	75.0	34.0
3500	3500/2625	OPA3508 ¹	OPA3500	OPA3577	OPA3504 ¹	75 3/16	1909	80.0	36.3
4000	4000/3000	OPA4008 ¹	OPA4000 ¹	OPA4077	OPA4004 ¹	83 1/8	2112	89.0	40.4

¹ If the control option "24V electronic relay" is required, these products need 2 electronic relays. Please contact our customer service to choose the proper control options according to the selected model.
² 208V = 75% of wattage at 240V.

Average Low Watt Density Models 375W/ft.

Watts	Product #				Length		Weight	
	208V	240V	277V	480V	in.	mm	lb	kg
800	OPA0808-690	OPA0800-690	OPA0877-690	OPA0804-690	27 3/16	690	30.0	13.6
1000	OPA1008-944	OPA1000-944	OPA1077-944	OPA1004-944	37 3/16	944	46.0	20.9
1500	OPA1508-1198	OPA1500-1198	OPA1577-1198	OPA1504-1198	47 3/16	1198	57.0	25.9
1750	OPA1758-1452	OPA1750-1452	OPA1777-1452	OPA1754-1452	57 3/16	1452	66.0	29.9
2000	OPA2008-1655	OPA2000-1655	OPA2077-1655	OPA2004-1655	65 3/16	1655	75.0	34.0
2500	OPA2508-2112	OPA2500-2112	OPA2577-2112	OPA2504-2112	83 1/8	2112	89.0	40.4
2750	OPA2758-2112	OPA2750-2112	OPA2777-2112	OPA2754-2112 ¹	83 1/8	2112	89.0	40.4

¹ If the control option "24V electronic relay" is required, these products need 2 electronic relays. Please contact our customer service to choose the proper control options according to the selected model.
 Add "BL" for white, "AM" for almond. Optional colors shown in the color chart section are available upon request.
 Other colors, accessories and finishes are available upon request. Please contact your customer service representative.
 Other voltages available upon request.
 Other low watt density models available upon request.



OPA

Options

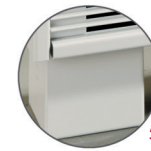
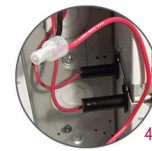
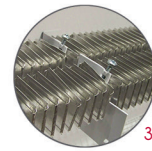
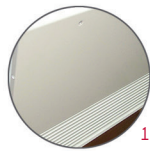
Product # Kit	Product # Factory installed*	Description
Finish		
-	BD	Clean back
KIT-OPA-CI	-	Corner (inside and outside)
KIT-OPA-CR-27	-	Recess trim kit, 27 3/16 in. (690 mm)
KIT-OPA-CR-37	-	Recess trim kit, 37 3/16 in. (944 mm)
KIT-OPA-CR-47	-	Recess trim kit, 47 3/16 in. (1198 mm)
KIT-OPA-CR-57	-	Recess trim kit, 57 3/16 in. (1452 mm)
KIT-OPA-CR-65	-	Recess trim kit, 65 3/16 in. (1655 mm)
KIT-OPA-CR-75	-	Recess trim kit, 75 3/16 in. (1909 mm)
KIT-OPA-CR-83	-	Recess trim kit, 83 1/8 in. (2112 mm)
KIT-OPA-CTR	-	Relay box, 12 in. (305 mm)
-	FR	Front warm air outlet
KIT-OPA-PEC	-	Square-shaped pedestal kit (2), 3 in. (76 mm)
KIT-OPA-SO-27	-	Sub-base, 27 3/16 in. (690 mm)
KIT-OPA-SO-37	-	Sub-base, 37 3/16 in. (944 mm)
KIT-OPA-SO-47	-	Sub-base, 47 3/16 in. (1198 mm)
KIT-OPA-SO-57	-	Sub-base, 57 3/16 in. (1452 mm)
KIT-OPA-SO-65	-	Sub-base, 65 3/16 in. (1655 mm)
KIT-OPA-SO-75	-	Sub-base, 75 3/16 in. (1909 mm)
KIT-OPA-SO-83	-	Sub-base, 83 1/8 in. (2112 mm)
KIT-OPA-SV-27	-	Empty cabinet, 27 3/16 in. (690 mm)
KIT-OPA-SV-37	-	Empty cabinet, 37 3/16 in. (944 mm)
KIT-OPA-SV-47	-	Empty cabinet, 47 3/16 in. (1198 mm)
KIT-OPA-SV-57	-	Empty cabinet, 57 3/16 in. (1452 mm)
KIT-OPA-SV-65	-	Empty cabinet, 65 3/16 in. (1655 mm)
KIT-OPA-SV-75	-	Empty cabinet, 75 3/16 in. (1909 mm)
KIT-OPA-SV-83	-	Empty cabinet, 83 1/8 in. (2112 mm)
Disconnects and Thermostats		
-	DIS40 ¹	Disconnect switch, triple-pole, 40A at 600V (80% = 32A)
KIT-OPA-T-AV	TAV	Single-pole tamperproof thermostat: 30A at 250V max. - 15A at 600V max.
KIT-OPA-T2-AV	T2AV	Double-pole tamperproof thermostat: 30A at 250V max. - 15A at 600V max.
Relays and Transformers		
-	CTT	Single-pole relay, coil 240V: 25A at 240V, 10A at 600V
-	CTT2	Double-pole relay, coil 240V: 25A at 240V, 10A at 600V
-	PM	Pneumatic relay, 20A at 600V
KIT-OPA-R	R	Single-pole relay, coil 24V, without transformer: 22A at 208V, 240V - 19A at 277V - 18A at 347V
KIT-OPA-R2	R2	Double-pole relay, coil 24V, without transformer: 25A at 240V - 10A at 600V
KIT-OPA-RT-208	RT	Single-pole relay, coil 24V, with transformer 208V/24V, 4500W, 22A at 208V
KIT-OPA-RT-240	RT	Single-pole relay, coil 24V, with transformer 240V/24V, 5200W, 22A at 240V
KIT-OPA-RT-277	RT	Single-pole relay, coil 24V, with transformer 277V/24V, 5200W, 19A at 277V
KIT-OPA-RT-347	RT	Single-pole relay, coil 24V, with transformer 347V/24V, 6000W, 18A at 347V
KIT-OPA-RT-600 ²	RT ²	Single-pole relay, coil 24V, with transformer 600V/24V, 6000W, 10A at 600V (2-wire only)
-	TRIAC	Single-pole electronic relay, coil 24V, without transformer, 15A at 347V max.
-	TRIACT	Single-pole electronic relay, coil 24V, with transformer: 15A at 208V, 240V, 277V, 347V
-	TRIAC	Single-pole electronic relay, coil 24V, without transformer, 6A at 600V max.
-	TRF24	Transformer 24V, 50VA
-	TRF240	Transformer 240V, 50VA

* For factory installed options, add the option number to the product number. See the **Product Code** section inside the front cover.

¹ For the U.S. only: The nominal current of the unit must not exceed 80% of the capacity of the disconnect.

² These 2-wire relays with transformer can't supply of 3-wire low voltage thermostats.

OPI Architectural Sloped Top Cabinet Convector



Features

Color

- Standard: white, almond.
- Optional: metallic silver, bronze, metallic charcoal, textured black, beige-grey, aluminum, semi-gloss black, sand.
- Custom colors available upon request.

Finish

- Standard: epoxy/polyester powder paint.

Voltage

- 208V, 240/208V, 277V, 347V, 480V, 600V, 1-phase.

Construction

- 20-gauge steel cabinet.
- 16-gauge steel front cover. **1**
- Extruded aluminum bar grilles prevent insertion of foreign objects. **2**
- Front fresh air inlet; top warm air outlet.
- Clean back available (-BD).
- Linear high-limit temperature control with automatic reset.

Heating element

- Two stainless steel tubular heating elements with aluminum fins. **3**
- Floating elements on high-temperature nylon bushings reducing expansion noises. **4**

Watt density

- Standard watt density.
- Low watt density.

Control

- Built-in tamperproof thermostat available.
- Mechanical, electronic or pneumatic relays available.

Ouellet highly recommends to use an electronic wall thermostat for greater comfort.

Installation

- Not for residential use in the United States.
- Wall or floor mounted installation.
- Mounting holes spaced on 2 in. (51 mm) intervals for ease of installation.
- Variety of accessories available for wall-to-wall installation.
- Pedestal kit or sub-base available. **5**

Warranty

- 1-year warranty against defects.

Application

- Commercial building, office building, hospital, daycare center.

Average Standard Watt Density Models 500W/ft.

Watts	Watts		Product #			Length		Weight	
	240/208V ²	208V	240/208V	277V	480V	in.	mm	lb	kg
1000	1000/750	OPI1008	OPI1000	OPI1077	OPI1004	27 3/16	690	32.0	14.5
1500	1500/1125	OPI1508	OPI1500	OPI1577	OPI1504	37 3/16	944	46.0	20.9
2000	2000/1500	OPI2008	OPI2000	OPI2077	OPI2004	47 3/16	1198	57.0	25.9
2500	2500/1875	OPI2508	OPI2500	OPI2577	OPI2504	57 3/16	1452	66.0	30.0
3000	3000/2250	OPI3008	OPI3000	OPI3077	OPI3004 ¹	65 3/16	1655	75.0	34.1
3500	3500/2625	OPI3508 ¹	OPI3500	OPI3577	OPI3504 ¹	75 3/16	1909	80.0	36.3
4000	4000/3000	OPI4008 ¹	OPI4000 ¹	OPI4077	OPI4004 ¹	83 1/8	2112	89.0	40.5

¹ If the control option "24V electronic relay" is required, these products need 2 electronic relays. Please contact our customer service to choose the proper control options according to the selected model.

² 208V = 75% of wattage at 240V.

Average Low Watt Density Models 375W/ft.

Watts	Product #				Length		Weight	
	208V	240V	277V	480V	in.	mm	lb	kg
800	OPI0808-690	OPI0800-690	OPI0877-690	OPI0804-690	27 3/16	690	32.0	14.5
1000	OPI1008-944	OPI1000-944	OPI1077-944	OPI1004-944	37 3/16	944	46.0	20.9
1500	OPI1508-1198	OPI1500-1198	OPI1577-1198	OPI1504-1198	47 3/16	1198	57.0	25.9
1750	OPI1758-1452	OPI1750-1452	OPI1777-1452	OPI1754-1452	57 3/16	1452	66.0	30.0
2000	OPI2008-1655	OPI2000-1655	OPI2077-1655	OPI2004-1655	65 3/16	1655	75.0	34.1
2500	OPI2508-2112	OPI2500-2112	OPI2577-2112	OPI2504-2112	83 1/8	2112	89.0	40.5
2750	OPI2758-2112	OPI2750-2112	OPI2777-2112	OPI2754-2112 ¹	83 1/8	2112	89.0	40.5

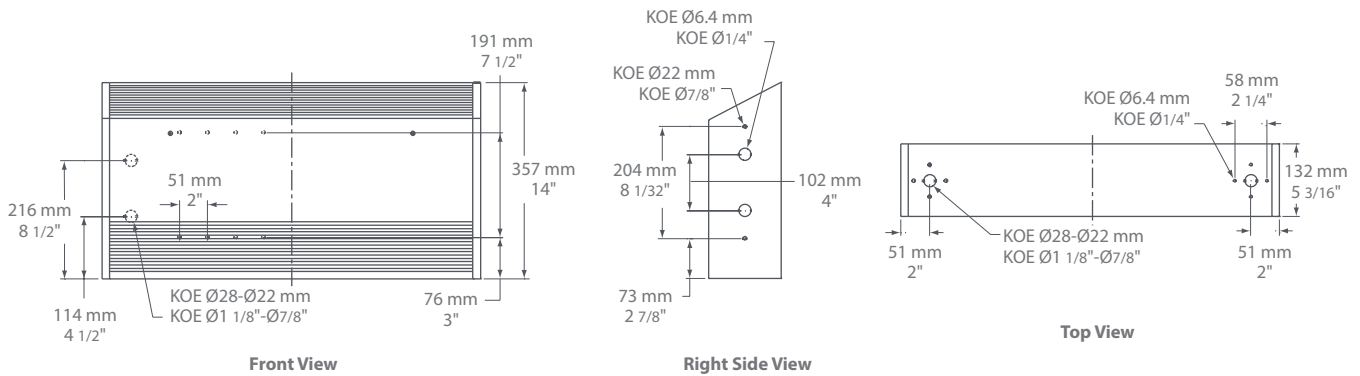
¹ If the control option "24V electronic relay" is required, these products need 2 electronic relays. Please contact our customer service to choose the proper control options according to the selected model.

Add "BL" for white, "AM" for almond. Optional colors shown in the color chart section are available upon request.

Other colors, accessories and finishes are available upon request. Please contact your customer service representative.

Other voltages available upon request.

Other low watt density models available upon request.



Options

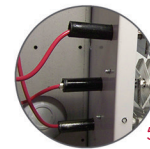
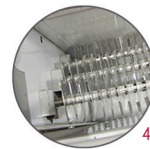
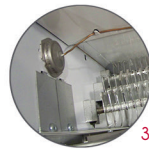
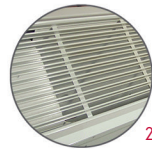
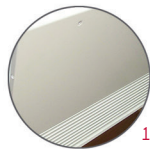
Product # Kit	Product # Factory installed*	Description
Finish		
-	BD	Clean back
KIT-OPI-CE	-	Outside corner, 8 in. (203.2 mm)
KIT-OPI-CI	-	Inside corner, 8 in. (203.2 mm)
KIT-OPI-CTR	-	Relay box, 12 in. (305 mm)
KIT-OPI-PEC	-	Square-shaped pedestal kit (2), 3 in. (76 mm)
KIT-OPI-SO-27	-	Sub-base, 27 3/16 in. (690 mm)
KIT-OPI-SO-37	-	Sub-base, 37 3/16 in. (944 mm)
KIT-OPI-SO-47	-	Sub-base, 47 3/16 in. (1198 mm)
KIT-OPI-SO-57	-	Sub-base, 57 3/16 in. (1452 mm)
KIT-OPI-SO-65	-	Sub-base, 65 3/16 in. (1655 mm)
KIT-OPI-SO-75	-	Sub-base, 75 3/16 in. (1909 mm)
KIT-OPI-SO-83	-	Sub-base, 83 1/8 in. (2112 mm)
KIT-OPI-SV-27	-	Empty cabinet, 27 3/16 in. (690 mm)
KIT-OPI-SV-37	-	Empty cabinet, 37 3/16 in. (944 mm)
KIT-OPI-SV-47	-	Empty cabinet, 47 3/16 in. (1198 mm)
KIT-OPI-SV-57	-	Empty cabinet, 57 3/16 in. (1452 mm)
KIT-OPI-SV-65	-	Empty cabinet, 65 3/16 in. (1655 mm)
KIT-OPI-SV-75	-	Empty cabinet, 75 3/16 in. (1909 mm)
KIT-OPI-SV-83	-	Empty cabinet, 83 1/8 in. (2112 mm)
Disconnects and Thermostats		
-	DIS40 ¹	Disconnect switch, triple-pole, 40A at 600V (80% = 32A)
KIT-OPI-T-AV	TAV	Single-pole tamperproof thermostat: 30A at 250V max. - 15A at 600V max.
KIT-OPI-T-AV	T2AV	Double-pole tamperproof thermostat: 30A at 250V max. - 15A at 600V max.
Relays and Transformers		
-	CTT	Single-pole relay, coil 240V: 25A at 240V, 10A at 600V
-	CTT2	Double-pole relay, coil 240V: 25A at 240V, 10A at 600V
-	PM	Pneumatic relay, 20A at 600V
KIT-OPI-R	R	Single-pole relay, coil 24V, without transformer: 22A at 208V, 240V - 19A at 277V - 18A at 347V
KIT-OPI-R2	R2	Double-pole relay, coil 24V, without transformer: 25A at 240V - 10A at 600V
KIT-OPI-RT-208	RT	Single-pole relay, coil 24V, with transformer 208V/24V, 4500W, 22A at 208V
KIT-OPI-RT-240	RT	Single-pole relay, coil 24V, with transformer 240V/24V, 5200W, 22A at 240V
KIT-OPI-RT-277	RT	Single-pole relay, coil 24V, with transformer 277V/24V, 5200W, 19A at 277V
KIT-OPI-RT-347	RT	Single-pole relay, coil 24V, with transformer 347V/24V, 6000W, 18A at 347V
KIT-OPI-RT-600 ²	RT ²	Single-pole relay, coil 24V, with transformer 600V/24V, 6000W, 10A at 600V (2-wire only)
-	TRIACT	Single-pole electronic relay, coil 24V, without transformer, 15A at 347V max.
-	TRIACT	Single-pole electronic relay, coil 24V, with transformer: 15A at 208V, 240V, 277V, 347V
-	TRIACT	Single-pole electronic relay, coil 24V, without transformer, 6A at 600V max.
-	TRF24	Transformer 24V, 50VA
-	TRF240	Transformer 240V, 50VA

* For factory installed options, add the option number to the product number. See the **Product Code** section inside the front cover.

¹ For the U.S. only: The nominal current of the unit must not exceed 80% of the capacity of the disconnect.

² These 2-wire relays with transformer can't supply of 3-wire low voltage thermostats.

OLA High Density Architectural Cabinet Convector



Features

Color

- Standard: white, almond.
- Optional: metallic silver, bronze, metallic charcoal, textured black, beige-grey, aluminum, semi-gloss black, sand.
- Custom colors available upon request.

Finish

- Standard: epoxy/polyester powder paint.

Voltage

- 208V, 240/208V, 277V, 347V, 480V, 600V, 1 or 3-phase.

Construction

- 20-gauge steel cabinet.
- 16-gauge steel front cover. **1**
- Extruded aluminum bar grilles prevent insertion of foreign objects. **2**
- Front fresh air inlet; top warm air outlet.
 - Front warm air outlet available (-FR).
- Clean back available (-BD).
- Linear high-limit temperature control with automatic reset. **3**

Heating element

- Three stainless steel tubular heating elements with aluminum fins. **4**
- Floating heating elements on high-temperature bushings, reducing expansion noises. **5**

Watt density

- Standard watt density.
- Low watt density.

Control

- Built-in tamperproof thermostat available.
- Mechanical, electronic or pneumatic relays available.

Note: Single-pole thermostat is for 1-phase model only.

Ouellet highly recommends to use an electronic wall thermostat for greater comfort.

Installation

- Not for residential use in the United States.
- Wall or floor mounted installation.
- Front outlet -FR models may be recessed.
- Mounting holes spaced on 2 in. (51 mm) intervals for ease of installation.
- Variety of accessories available for wall-to-wall installation.
- Pedestal kit or sub-base available.

Warranty

- 1-year warranty against defects.

Application

- Commercial building, hospital, daycare center.

Average Standard Watt Density Models 1000W/ft.

Watts	Watts 240/208V ¹	Product #						Length		Weight	
		208V (1 ph)	208V (3 ph)	240/208V	277V	480 (1 ph)	480 (3 ph)	in.	mm	lb	kg
2000	2000/1500	OLA2008	OLA2038 ²	OLA2000	OLA2077	OLA2004	OLA2034 ²	27 3/16	690	37.0	16.8
3000	3000/2250	OLA3008	OLA3038 ²	OLA3000	OLA3077	OLA3004 ²	OLA3034 ³	37 3/16	944	47.0	21.3
4000	4000/3000	OLA4008 ²	OLA4038 ²	OLA4000 ²	OLA4077	OLA4004 ²	OLA4034 ³	47 3/16	1198	57.0	25.9
5000	5000/3750	OLA5008 ³	OLA5038 ²	OLA5000 ²	OLA5077 ²	OLA5004 ³	OLA5034 ³	57 3/16	1452	67.0	30.4
6000	6000/4500	OLA6008 ³	OLA6038 ³	OLA6000 ³	OLA6077 ²	OLA6004 ³	OLA6034 ³	65 3/16	1655	79.0	35.8

¹ 208V = 75% of wattage at 240V.

² If the control option "24V electronic relay" is required, these products need 2 electronic relays. Please contact our customer service to choose the proper control options according to the selected model.

³ If the control option "24V electronic relay" is required, these products need 3 electronic relays. Please contact our customer service to choose the proper control options according to the selected model.

Average Low Watt Density Models

Product # ⁴	Length	Weight	Average Density W/ft.	Watts	208V (1 ph)	208V (3 ph)	240V	277V	480V (1 ph)	480V (3 ph)
OLA10XX-690	27 3/16"	37.0 lb	500	1000	✓	✓	✓	✓	-	-
OLA15XX-690	(690mm)	(16.8 kg)	750	1500	✓	✓	✓	✓	✓	✓
OLA15XX-944	37 3/16"	47.0 lb	500	1500	✓	✓	✓	✓	-	✓
OLA22XX-944	(944 mm)	(21.3 kg)	750	2250	✓	✓	✓	✓	✓	✓
OLA20XX-1198	47 3/16"	57.0 lb	500	2000	✓	✓	✓	✓	✓	✓
OLA30XX-1198	(1198 mm)	(25.9 kg)	750	3000	✓	✓	✓	✓	✓	✓
OLA25XX-1452	57 3/16"	67.0 lb	500	2500	✓	✓	✓	✓	✓	✓
OLA37XX-1452	(1452 mm)	(30.4 kg)	750	3750	✓	✓	✓	✓	✓	✓
OLA30XX-1655	65 3/16"	79.0 lb	500	3000	✓	✓	✓	✓	✓	✓
OLA45XX-1655	(1655 mm)	(35.8 kg)	750	4500	✓	✓	✓	✓	✓	✓

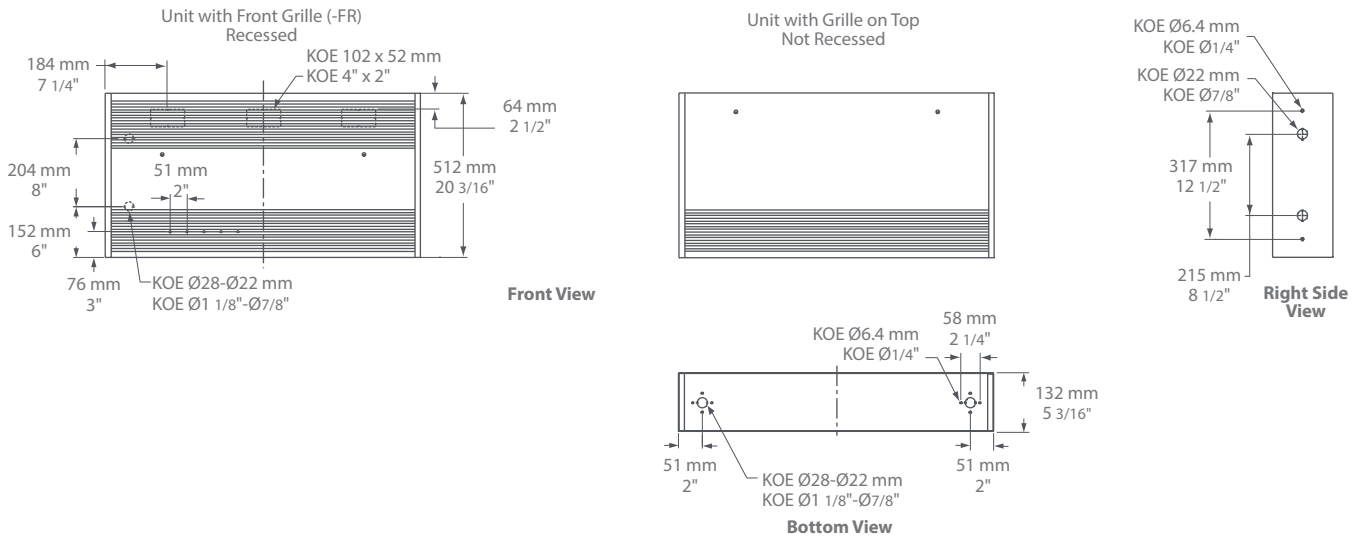
⁴ XX = 08 (208V, 1 ph), 38 (208V, 3 ph), 00 (240V, 1 ph), 30 (240V, 3 ph), 77 (277V), 07 (347V), 04 (480V, 1 ph), 34 (480V, 3 ph), 06 (600V, 1 ph), 36 (600V, 3 ph).

✓ = Available.

Add "BL" for white, "AM" for almond. Optional colors shown in the color chart section are available upon request.

Other colors, accessories and finishes are available upon request. Please contact your customer service representative.

Other voltages available upon request.



OLA

Options

Product # Kit	Product # Factory installed*	Description
Finish		
-	BD	Clean back
KIT-OLA-CI	-	Corner (Inside and outside)
KIT-OLA-CR-27	-	Recess trim kit, 27 3/16 in. (690 mm)
KIT-OLA-CR-37	-	Recess trim kit, 37 3/16 in. (944 mm)
KIT-OLA-CR-47	-	Recess trim kit, 47 3/16 in. (1198 mm)
KIT-OLA-CR-57	-	Recess trim kit, 57 3/16 in. (1452 mm)
KIT-OLA-CR-65	-	Recess trim kit, 65 3/16 in. (1655 mm)
KIT-OLA-CTR	-	Relay box, 12 in. (305 mm)
-	FR	Front warm air outlet
KIT-OLA-PEC	-	Square-shaped pedestal kit (2), 3 in. (76 mm)
KIT-OLA-SO-27	-	Sub-base, 27 3/16 in. (690 mm)
KIT-OLA-SO-37	-	Sub-base, 37 3/16 in. (944 mm)
KIT-OLA-SO-47	-	Sub-base, 47 3/16 in. (1198 mm)
KIT-OLA-SO-57	-	Sub-base, 57 3/16 in. (1452 mm)
KIT-OLA-SO-65	-	Sub-base, 65 3/16 in. (1655 mm)
KIT-OLA-SV-27	-	Empty cabinet, 27 3/16 in. (690 mm)
KIT-OLA-SV-37	-	Empty cabinet, 37 3/16 in. (944 mm)
KIT-OLA-SV-47	-	Empty cabinet, 47 3/16 in. (1198 mm)
KIT-OLA-SV-57	-	Empty cabinet, 57 3/16 in. (1452 mm)
KIT-OLA-SV-65	-	Empty cabinet, 65 3/16 in. (1655 mm)
Disconnects and Thermostats		
-	DIS40 ¹	Disconnect switch, triple-pole, 40A at 600V (80% = 32A)
KIT-OLA-T-AV ²	TAV	Single-pole tamperproof thermostat: 30A at 250V max. - 15A at 600V max.
KIT-OLA-T2-AV	T2AV	Double-pole tamperproof thermostat: 30A at 250V max. - 15A at 600V max.
Relays and Transformers		
-	CTT	Single-pole relay, coil 240V: 25A at 240V, 10A at 600V
-	CTT2	Double-pole relay, coil 240V: 25A at 240V, 10A at 600V
-	PM	Pneumatic relay, 20A at 600V
KIT-OLA-R	R	Single-pole relay, coil 24V, without transformer: 22A at 208V, 240V - 19A at 277V - 18A at 347V
KIT-OLA-R2	R2	Double-pole relay, coil 24V, without transformer: 25A at 240V - 10A at 600V
KIT-OLA-R2-30	R230	Double-pole relay, coil 24V, without transformer, 30A at 600V max.
KIT-OLA-RT-208	RT	Single-pole relay, coil 24V, with transformer 208V/24V, 4500W, 22A at 208V
KIT-OLA-RT-240	RT	Single-pole relay, coil 24V, with transformer 240V/24V, 5200W, 22A at 240V
KIT-OLA-RT-277	RT	Single-pole relay, coil 24V, with transformer 277V/24V, 5200W, 19A at 277V
KIT-OLA-RT-347	RT	Single-pole relay, coil 24V, with transformer 347V/24V, 6000W, 18A at 347V
KIT-OLA-RT-600 ³	RT ³	Single-pole relay, coil 24V, with transformer 600V/24V, 6000W, 10A at 600V (2-wire only)
-	TRIAc	Single-pole electronic relay, coil 24V, without transformer, 15A at 347V max.
-	TRIAcT	Single-pole electronic relay, coil 24V, with transformer, 15A at 208V, 240V, 277V, 347V
-	TRIAc	Single-pole electronic relay, coil 24V, without transformer, 6A at 600V max.
-	TRF24	Transformer 24V, 50VA
-	TRF240	Transformer 240V, 50VA

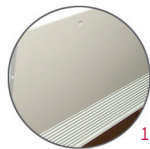
* For factory installed options, add the option number to the product number. See the **Product Code** section inside the front cover.

¹ For the U.S. only: The nominal current of the unit must not exceed 80% of the capacity of the disconnect.

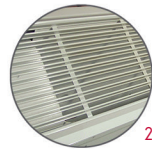
² For 1-phase model only.

³ These 2-wire relays with transformer can't supply of 3-wire low voltage thermostats.
Electronic relay (1 or 3-phase) available upon request.

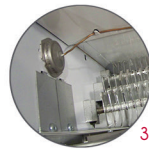
OLI High Density Architectural Sloped Top Cabinet Convector



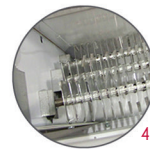
1



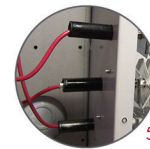
2



3



4



5

Features

Color

- Standard: white, almond.
- Optional: metallic silver, bronze, metallic charcoal, textured black, beige-grey, aluminum, semi-gloss black, sand.
- Custom colors available upon request.

Finish

- Standard: epoxy/polyester powder paint.

Voltage

- 208V, 240/208V, 277V, 347V, 480V, 600V, 1 or 3-phase.

Construction

- 20-gauge steel cabinet.
- 16-gauge steel front cover. **1**
- Extruded aluminum bar grilles prevent insertion of foreign objects. **2**
- Front fresh air inlet; top warm air outlet.
- Clean back available (-BD).
- Linear high-limit temperature control with automatic reset. **3**

Heating element

- Three stainless steel tubular heating elements with aluminum fins. **4**
- Floating elements on high-temperature nylon bushings reducing expansion noises. **5**

Watt density

- Standard watt density.
- Low watt density.

Control

- Built-in tamperproof thermostat available.
- Mechanical, electronic or pneumatic relays available.

Note: Single-pole thermostat is for 1-phase model only.

Ouellet highly recommends to use an electronic wall thermostat for greater comfort.

Installation

- Not for residential use in the United States.
- Wall or floor mounted installation.
- Mounting holes spaced on 2 in. (51 mm) intervals for ease of installation.
- Variety of accessories available for wall-to-wall installation.
- Pedestal kit or sub-base available.

Warranty

- 1-year warranty against defects.

Application

- Commercial building, hospital, daycare center.

Average Standard Watt Density Models 1000W/ft.

Watts	Watts 240/208V ¹	Product #						Length		Weight	
		208V (1 ph)	208V (3 ph)	240/208V	277V	480V (1 ph)	480V (3 ph)	in.	mm	lb	kg
2000	2000/1500	OLI2008	OLI2038 ²	OLI2000	OLI2077	OLI2004	OLI2034 ²	27 3/16	690	37.0	16.8
3000	3000/2250	OLI3008	OLI3038 ²	OLI3000	OLI3077	OLI3004 ²	OLI3034 ³	37 3/16	944	47.0	21.3
4000	4000/3000	OLI4008 ²	OLI4038 ²	OLI4000 ²	OLI4077	OLI4004 ²	OLI4034 ³	47 3/16	1198	57.0	25.9
5000	5000/3750	OLI5008 ³	OLI5038 ³	OLI5000 ²	OLI5077 ²	OLI5004 ³	OLI5034 ³	57 3/16	1452	67.0	30.4
6000	6000/4500	OLI6008 ³	OLI6038 ³	OLI6000 ³	OLI6077 ²	OLI6004 ³	OLI6034 ³	65 3/16	1655	79.0	35.8

¹ 208V = 75 % of wattage at 240V.

² If the control option "24V electronic relay" is required, these products need 2 electronic relays. Please contact our customer service to choose the proper control options according to the selected model.

³ If the control option "24V electronic relay" is required, these products need 3 electronic relays. Please contact our customer service to choose the proper control options according to the selected model.

Average Low Watt Density Models

Product # ⁴	Length	Weight	Average Density W/ft.	Watts	208V (1 ph)	208V (3 ph)	240V	277V	480V (1 ph)	480V (3 ph)
OLI10XX-690	27 3/16"	37.0 lb	500	1000	✓	✓	✓	✓	-	-
OLI15XX-690	(690 mm)	(16.8 kg)	750	1500	✓	✓	✓	✓	✓	✓
OLI15XX-944	37 3/16"	47.0 lb	500	1500	✓	✓	✓	✓	-	✓
OLI22XX-944	(944 mm)	(21.3 kg)	750	2250	✓	✓	✓	✓	✓	✓
OLI20XX-1198	47 3/16"	57.0 lb	500	2000	✓	✓	✓	✓	✓	✓
OLI30XX-1198	(1198 mm)	(25.9 kg)	750	3000	✓	✓	✓	✓	✓	✓
OLI25XX-1452	57 3/16"	67.0 lb	500	2500	✓	✓	✓	✓	✓	✓
OLI37XX-1452	(1452 mm)	(30.4 kg)	750	3750	✓	✓	✓	✓	✓	✓
OLI30XX-1655	65 3/16"	79.0 lb	500	3000	✓	✓	✓	✓	✓	✓
OLI45XX-1655	(1655 mm)	(35.8 kg)	750	4500	✓	✓	✓	✓	✓	✓

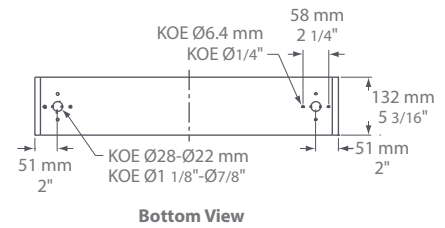
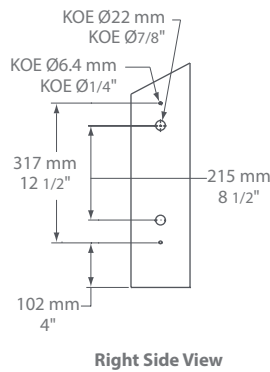
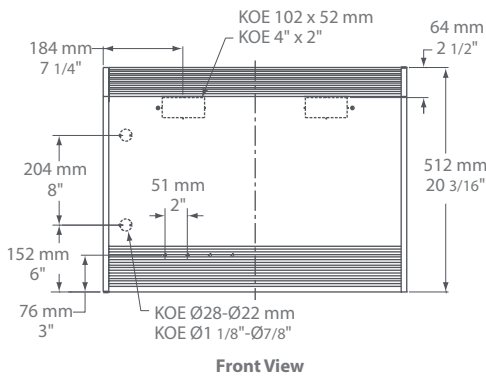
⁴ XX = 08 (208V, 1 ph), 38 (208V, 3 ph), 00 (240V, 1 ph), 30 (240V, 3 ph), 77 (277V), 07 (347V), 04 (480V, 1 ph), 34 (480V, 3 ph), 06 (600V, 1 ph), 36 (600V, 3 ph).

✓ = Available.

Add "BL" for white, "AM" for almond. Optional colors shown in the color chart section are available upon request.

Other colors, accessories and finishes are available upon request. Please contact your customer service representative.

Other voltages available upon request.



Options

Product # Kit	Product # Factory installed*	Description
Finish		
-	BD	Clean back
KIT-OLI-CE	-	Outside corner, 8 in. (203.2 mm)
KIT-OLI-CI	-	Inside corner, 8 in. (203.2 mm)
KIT-OLI-CTR	-	Relay box, 12 in. (305 mm)
KIT-OLI-PEC	-	Square-shaped pedestal kit (2), 3 in. (76 mm)
KIT-OLI-SO-27	-	Sub-base, 27 3/16 in. (690 mm)
KIT-OLI-SO-37	-	Sub-base, 37 3/16 in. (944 mm)
KIT-OLI-SO-47	-	Sub-base, 47 3/16 in. (1198 mm)
KIT-OLI-SO-57	-	Sub-base, 57 3/16 in. (1452 mm)
KIT-OLI-SO-65	-	Sub-base, 65 3/16 in. (1655 mm)
KIT-OLI-SV-27	-	Empty cabinet, 27 3/16 in. (690 mm)
KIT-OLI-SV-37	-	Empty cabinet, 37 3/16 in. (944 mm)
KIT-OLI-SV-47	-	Empty cabinet, 47 3/16 in. (1198 mm)
KIT-OLI-SV-57	-	Empty cabinet, 57 3/16 in. (1452 mm)
KIT-OLI-SV-65	-	Empty cabinet, 65 3/16 in. (1655 mm)
Disconnects and Thermostats		
-	DIS40 ¹	Disconnect switch, triple-pole, 40A at 600V (80% = 32A)
KIT-OLI-T-AV ²	TAV ²	Single-pole tamperproof thermostat: 30A at 250V max. - 15A at 600V max.
KIT-OLI-T2-AV	T2AV	Double-pole tamperproof thermostat: 30A at 250V max. - 15A at 600V max.
Relays and Transformers		
-	CTT	Single-pole relay, coil 240V: 25A at 240V, 10A at 600V
-	CTT2	Double-pole relay, coil 240V: 25A at 240V, 10A at 600V
-	PM	Pneumatic relay, 20A at 600V
KIT-OLI-R	R	Single-pole relay, coil 24V, without transformer: 22A at 208V, 240V - 19A at 277V - 18A at 347V
KIT-OLI-R2	R2	Double-pole relay, coil 24V, without transformer: 25A at 240V - 10A at 600V
KIT-OLI-R2-30	R230	Double-pole relay, coil 24V, without transformer, 30A at 600V max.
KIT-OLI-RT-208	RT	Single-pole relay, coil 24V, with transformer 208V/24V, 4500W, 22A at 208V
KIT-OLI-RT-240	RT	Single-pole relay, coil 24V, with transformer 240V/24V, 5200W, 22A at 240V
KIT-OLI-RT-277	RT	Single-pole relay, coil 24V, with transformer 277V/24V, 5200W, 19A at 277V
KIT-OLI-RT-347	RT	Single-pole relay, coil 24V, with transformer 347V/24V, 6000W, 18A at 347V
KIT-OLI-RT-600 ³	RT ³	Single-pole relay, coil 24V, with transformer 600V/24V, 6000W, 10A at 600V (2-wire only)
-	TRIAC	Single-pole electronic relay, coil 24V, without transformer, 15A at 347V max.
-	TRIACT	Single-pole electronic relay, coil 24V, with transformer: 15A at 208V, 240V, 277V, 347V
-	TRIAC	Single-pole electronic relay, coil 24V, without transformer, 6A at 600V max.
-	TRF24	Transformer 24V, 50VA
-	TRF240	Transformer 240V, 50VA

* For factory installed options, add the option number to the product number. See the **Product Code** section inside the front cover.

¹For the U.S. only: The nominal current of the unit must not exceed 80% of the capacity of the disconnect.

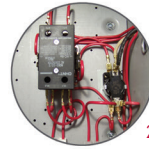
²For 1-phase model only.

³These 2-wire relays with transformer can't supply of 3-wire low voltage thermostats.
Electronic relay (1 or 3-phase) available upon request.

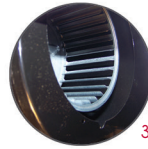
OCA Cabinet Unit Heater



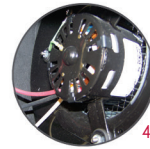
1



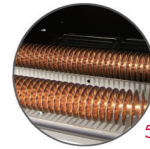
2



3



4



5

Features

Color

- Standard: white, almond.
- Optional (upcharge applicable): metallic silver, bronze, metallic charcoal, aluminum, semi-gloss black, sand.
- Custom colors available upon request.

Finish

- Standard: epoxy/polyester powder paint.

Voltage

- 208V, 240V, 277V, 347V, 480V, 600V, 1 or 3-phase.

Construction

- 18-gauge steel.
- Insulated casing for noise reduction.
- Extruded aluminum bar grilles prevent insertion of foreign objects. 1
- Field adaptable air inlet and outlet. 1
- High-limit temperature control with automatic reset.
- 240V control circuit included. 2
- Optional fresh air inlet damper.
- Optional air filters.

Fan

- Direct drive, variable speed squirrel-cage fan. 3
- Fan delay.

- 240/208V factory-lubricated motor (1/15 HP). 4
- 2 speed-motor available (1600/1500 rpm).

Heating element

- Durable tubular heating element with fins. 5

Length

- Four cabinet lengths are available: 28 in. (711 mm), 48 in. (1219 mm), 66 in. (1676 mm), 80 in. (2032 mm).

Control

- Wide range of control available.

Ouellet highly recommends the use of a wall thermostat for greater comfort.

Installation

- Multi-position mounting (surface, semi-recessed, recessed).
- Maximum recommended installation height: 10 ft. (3 m).
- Recess trim kit available for recessed or semi-recessed units.
- Sub-base and special back plate available.

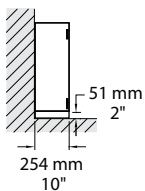
Warranty

- 5-year warranty against defects.

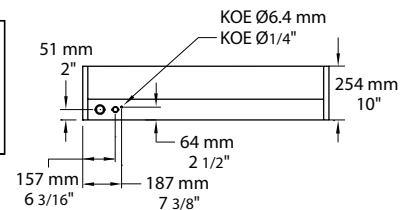
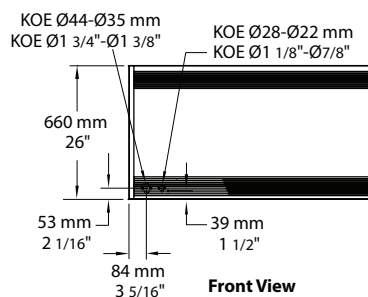
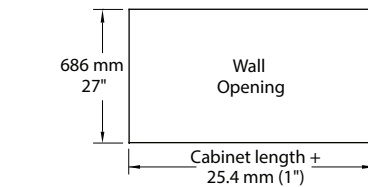
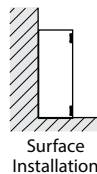
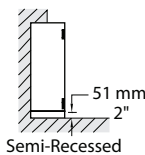
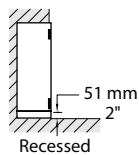
Application

- Hallway, entry way, exhibition center.

Installation with Sub-Base



Installation with Recess Trim Kit



OCA

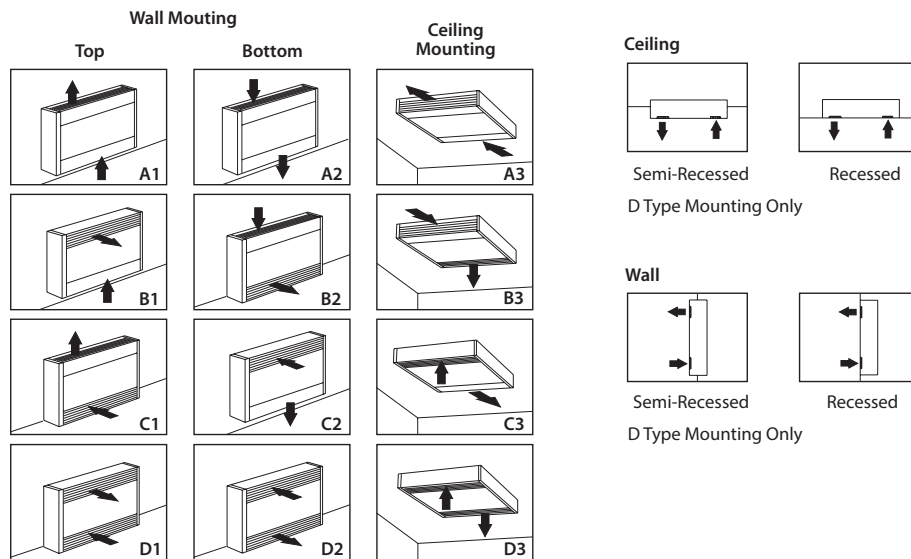
Models

Watts		cfm		BTU/hr		Product #					Length		Weight	
Hi	Lo	Hi	Lo	Hi	Lo	208V (3 ph)	240V (1 ph)	240V (3 ph)	277V (1 ph)	480V (3 ph)	in.	mm	lb	kg
2000	1333	250	200	6830	4552	OCAU02038 [†]	OCAU02000	OCAU02030	OCAU02077	OCAU02034 [†]	28	711	115.0	52.3
3000	1000	250	200	10246	3415	OCAU03038 [†]	OCAU03000	OCAU03030	OCAU03077	OCAU03034 [†]	28	711	115.0	52.3
4000	2667	250	200	13661	9108	OCAU04038 [†]	OCAU04000	OCAU04030	OCAU04077	OCAU04034 [†]	28	711	115.0	52.3
5000	3333	250	200	17076	11383	OCAU05038 [†]	OCAU05000	OCAU05030	OCAU05077	OCAU05034 [†]	28	711	115.0	52.3
6000	4000	250	200	20491	13661	OCAU06038 [†]	OCAU06000	OCAU06030	OCAU06077	OCAU06034 [†]	28	711	115.0	52.3
8000	4000	500	400	27321	13661	OCAU08038 [†]	OCAU08000	OCAU08030	OCAU08077	OCAU08034 [†]	48	1219	146.0	66.4
10000	5000	500	400	34152	17076	OCAU10038 [†]	OCAU10000	OCAU10030	OCAU10077	OCAU10034 [†]	48	1219	146.0	66.4
12000	6000	500	400	40982	20491	OCAU12038 [†]	OCAU12000	OCAU12030	OCAU12077	OCAU12034 [†]	48	1219	146.0	66.4
15000	10000	750	600	51228	34152	OCAU15038 [†]	OCAU15000	OCAU15030	-	OCAU15034 [†]	66	1676	210.0	95.5
18000	12000	750	600	61473	40982	OCAU18038 [†]	OCAU18000	OCAU18030	-	OCAU18034 [†]	66	1676	210.0	95.5
20000	10000	1000	800	68304	34152	OCAU20038 [†]	OCAU20000	OCAU20030	-	OCAU20034 [†]	80	2032	240.0	109.1
24000	12000	1000	800	81964	40982	OCAU24038 [†]	OCAU24000	OCAU24030	-	OCAU24034 [†]	80	2032	240.0	109.1

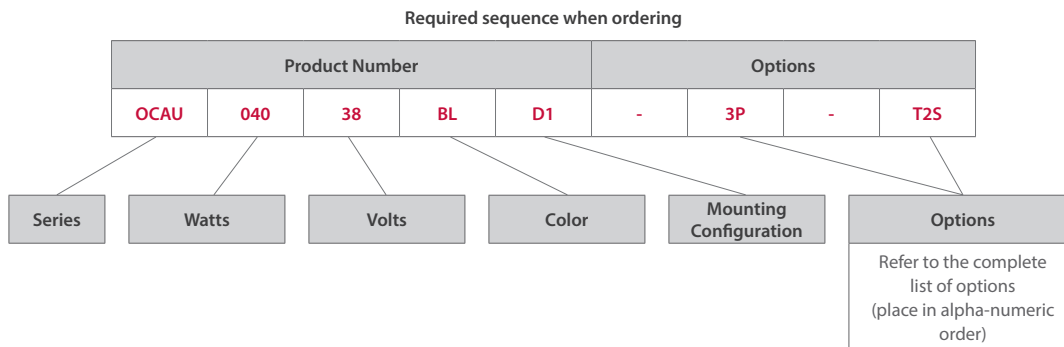
[†] 1-phase available upon request (change the "3" for an "0" to the product number).
Add "BL" for white, "AM" for almond. Upcharge available for optional colors shown in the color chart section.

Mounting configuration

Please specify mounting configuration. If not mentioned on the order, D1 will be used as our standard.



Codification example



Options

Product # Kit	Product # Factory installed*	Description
-	120	120V control circuit
-	3P	Triple-pole contactor
-	AF ¹	Fresh air inlet
-	AFM ¹	Power-operated fresh air inlet
-	DIS40 ⁴	Disconnect switch. 40A
-	DIS80 ⁴	Disconnect switch. 80A
-	FUS	Circuit protection fuse
-	HL ²	Hi/Lo power switch
KIT-OCA-IV	IV	On/Auto fan switch
-	MR	High-limit temperature control with manual reset
KIT-OCA-OO	OO	On/Standby heating switch
KIT-OCA-R	R	24V control relay, without transformer
-	RHL ³	24V Hi/Lo power relay, with transformer
-	ROO ³	24V On/Standby heating relay, with transformer
KIT-OCA-RT	RT	24V control relay, with transformer
-	RV ³	24V fan relay, with transformer
KIT-OCA-T-AV	TAV	Single-pole thermostat, tamperproof
-	T2S	2-stage thermostat, tamperproof
Recess trim kit. 2 in. (51 mm)		
KIT-OCA-CR-28	-	28 in. (711 mm) Models
KIT-OCA-CR-48	-	48 in. (1219 mm) Models
KIT-OCA-CR-66	-	66 in. (1676 mm) Models
KIT-OCA-CR-80	-	80 in. (2032 mm) Models
Special back plate		
KIT-OCA-DU-28	-	28 in. (711 mm) Models
KIT-OCA-DU-48	-	48 in. (1219 mm) Models
KIT-OCA-DU-66	-	66 in. (1676 mm) Models
KIT-OCA-DU-80	-	80 in. (2032 mm) Models
Air filter, wall installation only		
KIT-OCA-FI-28	FI	28 in. (711 mm) Models
KIT-OCA-FI-48	FI	48 in. (1219 mm) Models
KIT-OCA-FI-66	FI	66 in. (1676 mm) Models
KIT-OCA-FI-80	FI	80 in. (2032 mm) Models
Washable air filter, wall installation only		
KIT-OCA-FIW-28	FIW	28 in. (711 mm) Models
KIT-OCA-FIW-48	FIW	48 in. (1219 mm) Models
KIT-OCA-FIW-66	FIW	66 in. (1676 mm) Models
KIT-OCA-FIW-80	FIW	80 in. (2032 mm) Models
Sub-base. 2 in. (51 mm)		
KIT-OCA-SO-28	-	28 in. (711 mm) Models
KIT-OCA-SO-48	-	48 in. (1219 mm) Models
KIT-OCA-SO-66	-	66 in. (1676 mm) Models
KIT-OCA-SO-80	-	80 in. (2032 mm) Models

* For factory installed options, add the option number to the product number. See the **Product Code** section inside the front cover.

¹ Do not install a built-in thermostat with these options.

² OCAU06006, is not available with optional HL.

³ When one of these options is ordered, the heater control will automatically be shipped at 24V.

⁴ For the U.S. only: The nominal current of the unit must not exceed 80% of the capacity of the disconnect.

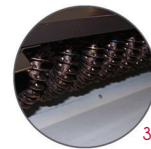
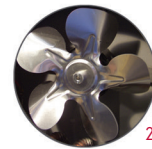
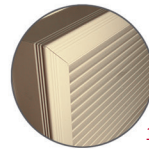
OAWH

Architectural Aluminum Wall Fan Heater



With surface mounting box

Recessed



Features

Color

- Standard: white, almond, metallic silver, bronze, metallic charcoal, aluminum, semi-gloss black, sand.
- Custom colors available upon request.

Finish

- Standard: epoxy/polyester powder paint.
- Optional: anodized aluminum.

Voltage

- 120V, 208V, 240/208V, 277V, 347V, 480V, 600V, 1 or 3-phase.

Construction

- Extruded aluminum front grille, 1/8 in. (3.2 mm) thick. **1**
- Bottom air outlet.
- High-limit temperature control with automatic reset.

Fan

- Closed, factory-lubricated motor.
- 160 cfm fan (single unit: 55 dBA); 2 X 160 cfm fan (double unit: 58 dBA), 3 X 160 cfm fan (triple unit: 61 dBA). **2**
- Fan delay purges heater of residual heat.

Heating element

- Durable tubular heating element with fins. **3**

Control

- Built-in tamperproof thermostat included. **4**
- 24V relay, with or without transformer available.

Note: Thermostat is not included in heater with factory installed relay. Any remote thermostat or relay must be connected to the heater control terminal block.

Installation

- Minimum clearance from the floor and adjacent walls: 10 in. (25.4 cm).
- Surface mounting box available.
- Semi recessed trim kit available.

Warranty

- 5-year warranty against defects.

Application

- Apartment building, commercial building, entrance way, stairwell, garage.

OAWH

Models

Product # ¹	Volts (ph)	Watts	BTU/hr	Weight		Unit
				lb	kg	
OAWH01502-TAV	120 (1)	1500	5123	24.0	10.9	single
OAWH02008-TAV	208 (1)	2000	6830	24.0	10.9	single
OAWH04008-TAV	208 (1)	4000	13661	24.0	10.9	single
OAWH04038-TAV	208 (3)	4000	13661	28.0	13.0	single
OAWH04808-TAV	208 (1)	4800	16393	24.0	10.9	single
OAWH05038-TAV	208 (3)	5000	17076	28.0	12.7	single
OAWH06038-TAV	208 (3)	6000	20491	56.0	25.4	double
OAWH08008-TAV	208 (1)	8000	27321	50.0	22.7	double
OAWH09038-TAV	208 (3)	9000	30737	90.0	40.9	triple
OAWH12008-TAV	208 (1)	12000	40982	90.0	40.9	triple
OAWH12038-TAV	208 (3)	12000	40982	90.0	40.9	triple
OAWH01500-TAV ²	240/208 (1)	1500/1125	5123/3842	24.0	10.9	single
OAWH02000-TAV ²	240/208 (1)	2000/1500	6830/5123	24.0	10.9	single
OAWH03000-TAV ²	240/208 (1)	3000/2250	10246/7684	24.0	10.9	single
OAWH03030-TAV ²	240/208 (3)	3000/2250	10246/7684	28.0	13.0	single
OAWH04000-TAV ²	240/208 (1)	4000/3000	13661/10246	24.0	10.9	single
OAWH04030-TAV ²	240/208 (3)	4000/3000	13661/10246	28.0	13.0	single
OAWH04800-TAV ²	240/208 (1)	4800/3600	16393/12295	24.0	10.9	single
OAWH05030-TAV ²	240/208 (3)	5000/3750	17076/12807	28.0	12.7	single
OAWH06000-TAV ²	240/208 (1)	6000/4500	20491/15368	50.0	22.7	double
OAWH08000-TAV ²	240/208 (1)	8000/6000	27321/20491	50.0	22.7	double
OAWH12000-TAV ²	240/208 (1)	12000/9000	40982/30737	90.0	40.9	triple
OAWH01577-TAV	277 (1)	1500	5123	24.0	10.9	single
OAWH02077-TAV	277 (1)	2000	6830	24.0	10.9	single
OAWH03077-TAV	277 (1)	3000	10246	24.0	10.9	single
OAWH04077-TAV	277 (1)	4000	13661	24.0	10.9	single
OAWH04877-TAV	277 (1)	4800	16393	24.0	10.9	single
OAWH06077-TAV	277 (1)	6000	20491	55.0	25.0	double
OAWH08077-TAV	277 (1)	8000	27321	55.0	25.0	double
OAWH12077-TAV	277 (1)	12000	40982	90.0	40.9	triple
OAWH01504-TAV	480 (1)	1500	5123	28.0	12.7	single
OAWH02004-TAV	480 (1)	2000	6830	28.0	12.7	single
OAWH03004-TAV	480 (1)	3000	10246	28.0	12.7	single
OAWH03034-TAV	480 (3)	3000	10246	32.0	15.0	single
OAWH04004-TAV	480 (1)	4000	13661	28.0	12.7	single
OAWH04034-TAV	480 (3)	4000	13661	32.0	15.0	single
OAWH04804-TAV	480 (1)	4800	16393	28.0	12.7	single
OAWH05034-TAV	480 (3)	5000	17076	32.0	15.0	single
OAWH06004-TAV	480 (1)	6000	20491	55.0	25.0	double
OAWH08004-TAV	480 (1)	8000	27321	55.0	25.0	double
OAWH12004-TAV	480 (1)	12000	40982	90.0	40.9	triple
OAWH12034-TAV	480 (3)	12000	40982	90.0	40.9	triple

¹ Built-in tamperproof thermostat included.

² 208V = 75% of wattage at 240V.

Add "BL" for white, "AM" for almond, "AE" for metallic silver, "BZ" for bronze, "CM" for metallic charcoal, "AL" for aluminum, "NL" for semi-gloss black, «SA» for sand.

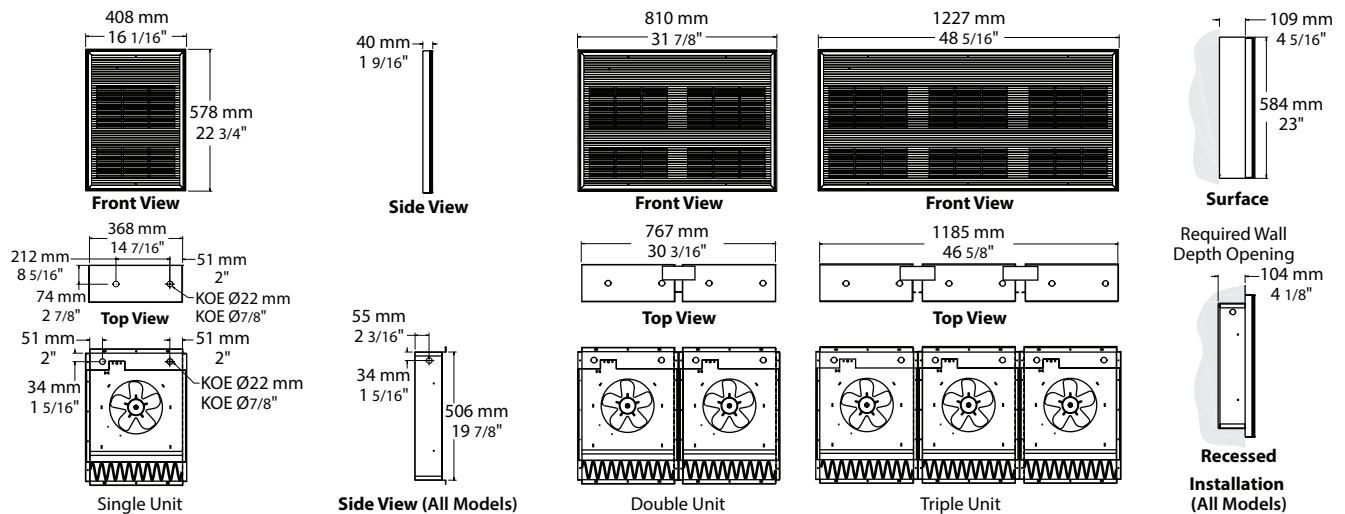
Options

Product # Kit	Product # Factory installed*	Description
KIT-OAWH-BSA	-	Surface mounting box, single unit
KIT-OAWH-BSA1-1	-	Semi recessed 1 in. trim kit, single unit
KIT-OAWH-BSA1-2	-	Semi recessed 2 in. trim kit, single unit
KIT-OAWH-BSA2	-	Surface mounting box, double unit
KIT-OAWH-BSA2-1	-	Semi recessed 1 in. trim kit, double unit
KIT-OAWH-BSA2-2	-	Semi recessed 2 in. trim kit, double unit
KIT-OAWH-BSA3	-	Surface mounting box, triple unit
KIT-OAWH-BSA3-1	-	Semi recessed 1 in. trim kit, triple unit
KIT-OAWH-BSA3-2	-	Semi recessed 2 in. trim kit, triple unit
KIT-OAWH-DIS20 ³	DIS20 ³	Disconnect switch, double-pole, 20A at 277V and less (80% = 16A)
KIT-OAWH-DIS40 ³	DIS40 ³	Disconnect switch, triple-pole, 40A at 600V max. (80% = 32A)
KIT-OAWH-DIS80 ³	DIS80 ³	Disconnect switch, triple-pole, 80A at 600V max. (80% = 64A)
-	IV	Fan switch
-	R ⁴	24V control relay, without transformer
-	RT ⁴	24V control relay, with transformer

* For factory installed options, add the option number to the product number. See the **Product Code** section inside the front cover.

³ For the U.S. only: The nominal current of the unit must not exceed 80% of the capacity of the disconnect.

⁴ If the built-in thermostat is not required with the 24V control relay, remove the "-TAV" from the product number (E.g.: OAWH04004-RT).



OAC Commercial Wall Fan Heater

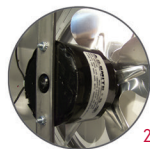


With surface mounting box

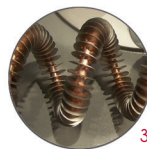
Recessed



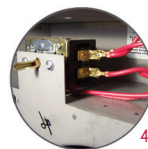
1



2



3



4



5

Features

Color

- Standard: white, almond.
- Optional (upcharge applicable): metallic silver, bronze, metallic charcoal, aluminum, semi-gloss black, sand.
- Custom colors available upon request.

Finish

- Standard: epoxy/polyester powder paint.

Voltage

- 120V, 208V, 240/208V, 277V, 347V, 480V, 600V, 1 or 3-phase.

Construction

- 18-gauge steel front cover. **1**
- Bottom air outlet.
- High-limit temperature control with automatic reset.

Fan

- Closed, factory-lubricated motor. **2**
- 160 cfm fan (single unit: 55 dBA); 2 X 160 cfm fan (double unit: 58 dBA); 3 X 160 cfm fan (triple unit: 61 dBA).
- Fan delay purges heater of residual heat.

Heating element

- Durable tubular heating element with fins. **3**

Control

- Built-in thermostat included with control knob or tamperproof. **4**
- 24V relay, with or without transformer available.

Note: Thermostat is not included in heater with factory installed relay. Any remote thermostat or relay must be connected to the heater control terminal block.

Installation

- Minimum clearance from the floor and adjacent walls: 10 in. (25.4 cm).
- Surface mounting box available. **5**
- Semi recessed trim kit available.

Warranty

- 5-year warranty against defects.

Application

- Apartment building, commercial building, entrance way, stairwell, garage.

OAC

Models

Product # ¹	Volts (ph)	Watts	BTU/hr	Weight		Unit
				lb	kg	
OACU01502-T	120 (1)	1500	5123	24.0	10.9	single
OACU02008-T	208 (1)	2000	6830	24.0	10.9	single
OACU04008-T	208 (1)	4000	13661	24.0	10.9	single
OACU04038-T	208 (3)	4000	13661	26.0	12.0	single
OACU04808-T	208 (1)	4800	16393	24.0	10.9	single
OACU05038-T	208 (3)	5000	17076	26.0	12.0	single
OACU06038-T	208 (3)	6000	20491	54.0	24.5	double
OACU08008-T	208 (1)	8000	27321	50.0	22.7	double
OACU09038-T	208 (3)	9000	30737	90.0	40.9	triple
OACU12008-T	208 (1)	12000	40982	90.0	40.9	triple
OACU12038-T	208 (3)	12000	40982	90.0	40.9	triple
OACU01500-T ²	240/208 (1)	1500/1125	5123/3842	24.0	10.9	single
OACU02000-T ²	240/208 (1)	2000/1500	6830/5123	24.0	10.9	single
OACU03000-T ²	240/208 (1)	3000/2250	10246/7684	24.0	10.9	single
OACU03030-T ²	240/208 (3)	3000/2250	10246/7684	26.0	12.0	single
OACU04000-T ²	240/208 (1)	4000/3000	13661/10246	24.0	10.9	single
OACU04030-T ²	240/208 (3)	4000/3000	13661/10246	26.0	12.0	single
OACU04800-T ²	240/208 (1)	4800/3600	16393/12295	24.0	10.9	single
OACU05030-T ²	240/208 (3)	5000/3750	17076/12807	26.0	12.0	single
OACU06000-T ²	240/208 (1)	6000/4500	20491/15368	50.0	22.7	double
OACU08000-T ²	240/208 (1)	8000/6000	27321/20491	50.0	22.7	double
OACU12000-T ²	240/208 (1)	12000/9000	40982/30737	90.0	40.9	triple
OACU01577-T	277 (1)	1500	5123	28.0	12.7	single
OACU02077-T	277 (1)	2000	6830	28.0	12.7	single
OACU03077-T	277 (1)	3000	10246	28.0	12.7	single
OACU04077-T	277 (1)	4000	13661	28.0	12.7	single
OACU04877-T	277 (1)	4800	16393	28.0	12.7	single
OACU06077-T	277 (1)	6000	20491	55.0	25.0	double
OACU08077-T	277 (1)	8000	27321	55.0	25.0	double
OACU12077-T	277 (1)	12000	40982	90.0	40.9	triple
OACU01504-T	480 (1)	1500	5123	28.0	12.7	single
OACU02004-T	480 (1)	2000	6830	28.0	12.7	single
OACU03004-T	480 (1)	3000	10246	28.0	12.7	single
OACU03034-T	480 (3)	3000	10246	30.0	14.0	single
OACU04004-T	480 (1)	4000	13661	28.0	12.7	single
OACU04034-T	480 (3)	4000	13661	30.0	14.0	single
OACU04804-T	480 (1)	4800	16393	28.0	12.7	single
OACU05034-T	480 (3)	5000	17076	30.0	14.0	single
OACU06004-T	480 (1)	6000	20491	55.0	25.0	double
OACU08004-T	480 (1)	8000	27321	55.0	25.0	double
OACU12004-T	480 (1)	12000	40982	90.0	40.9	triple
OACU12034-T	480 (3)	12000	40982	90.0	40.9	triple

¹ Built-in thermostat included with control knob or tamperproof.

² 208V = 75% of wattage at 240V.

Add "BL" for white, "AM" for almond. Upcharge available for optional colors shown in the color chart section.

OAC

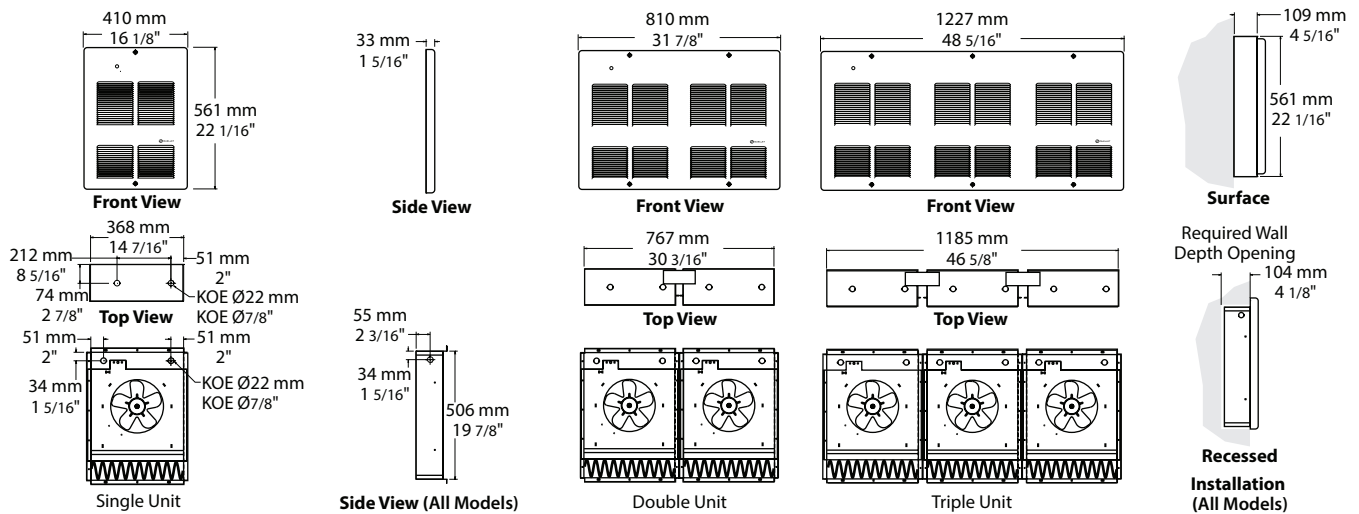
Options

Product # Kit	Product # Factory installed*	Description
KIT-OAC-BS1	-	Surface mounting box, single unit
KIT-OAC-BS1-1	-	Semi recessed 1 in. trim kit, single unit
KIT-OAC-BS1-2	-	Semi recessed 2 in. trim kit, single unit
KIT-OAC-BS2	-	Surface mounting box, double unit
KIT-OAC-BS2-1	-	Semi recessed 1 in. trim kit, double unit
KIT-OAC-BS2-2	-	Semi recessed 2 in. trim kit, double unit
KIT-OAC-BS3	-	Surface mounting box, triple unit
KIT-OAC-BS3-1	-	Semi recessed 1 in. trim kit, triple unit
KIT-OAC-BS3-2	-	Semi recessed 2 in. trim kit, triple unit
KIT-OAC-DIS20 ³	DIS20 ³	Disconnect switch, double-pole, 20A at 277V and less (80% = 16A)
KIT-OAC-DIS40 ³	DIS40 ³	Disconnect switch, triple-pole, 40A at 600V max. (80% = 32A)
KIT-OAC-DIS80 ³	DIS80 ³	Disconnect switch, triple-pole, 80A at 600V max. (80% = 64A)
-	IV	Fan switch
-	OO	On/Standby heating switch
-	R ⁴	24V control relay, without transformer
-	RT ⁴	24V control relay with transformer

* For factory installed options, add the option number to the product number. See the **Product Code** section inside the front cover.

³ For the U.S. only; The nominal current of the unit must not exceed 80% of the capacity of the disconnect.

⁴ If the built-in thermostat is not required with the 24V control relay, remove the "T" from the product number (E.g.: OACU04004-RT).



OACP Commercial Ceiling Fan Heater



With surface mounting box

Recessed



Features

Color

- Standard: white, almond.
- Optional (upcharge applicable): metallic silver, bronze, metallic charcoal, aluminum, semi-gloss black, sand.
- Custom colors available upon request.

Finish

- Standard: epoxy/polyester powder paint.

Voltage

- 120V, 208V, 240/208V, 277V, 347V, 480V, 600V, 1-phase.

Construction

- 18-gauge steel front cover.
- High-limit temperature control with automatic reset.

Fan

- Factory-lubricated motor (open and ventilated).
- 160 cfm fan (single unit: 55.5 dBA), 2 X 160 cfm fan (double unit: 58.5 dBA).
- Fan delay purges heater of residual heat.

Heating element

- Durable tubular heating element with fins.

Control

- 240/208V control circuit standard with contactor when needed (except 120V model).
- 24V relay, with or without transformer available.
- Built-in thermostat available.

Note: If an electronic thermostat is used, it must be compatible with forced-air heaters.

Any remote thermostat or relay must be connected to the heater control terminal block.

Installation

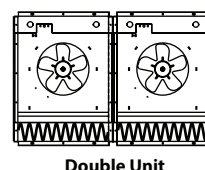
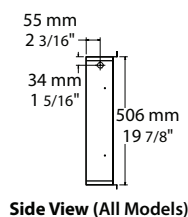
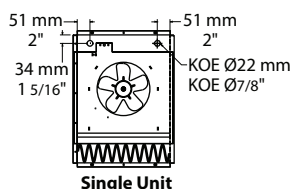
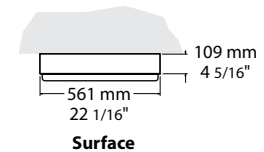
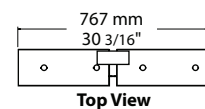
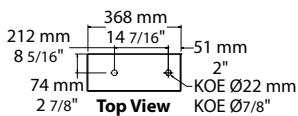
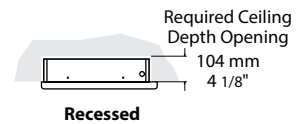
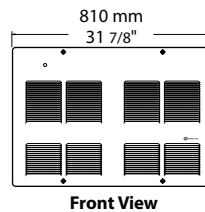
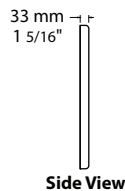
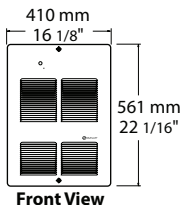
- Maximum recommended installation height: 10 ft. (3 m).
- Minimum clearance from adjacent walls: 10 in. (25.4 cm).
- Surface mounting box available.
- Adaptor for T-bar ceiling available.

Warranty

- 5-year warranty against defects.

Application

- Apartment building, commercial building, drop ceiling, stairwell, garage.



Installation (All Models)

OACP

Models

Product #	Volts	Watts	BTU/hr	Weight		Unit
				lb	kg	
OACPU1502	120	1500	5123	24.0	10.9	single
OACPU4008	208	4000	13661	24.0	10.9	single
OACPU4808	208	4800	16393	24.0	10.9	single
OACPU8008	208	8000	27321	50.0	22.7	double
OACPU1500 ¹	240/208	1500/1125	5123/3842	24.0	10.9	single
OACPU2000 ¹	240/208	2000/1500	6830/5123	24.0	10.9	single
OACPU3000 ¹	240/208	3000/2250	10246/7684	24.0	10.9	single
OACPU4000 ¹	240/208	4000/3000	13661/10246	24.0	10.9	single
OACPU4800 ¹	240/208	4800/3600	16393/12295	24.0	10.9	single
OACPU6000 ¹	240/208	6000/4500	20491/15368	50.0	22.7	double
OACPU8000 ¹	240/208	8000/6000 ¹	27321/20491	50.0	22.7	double
OACPU1577	277	1500	5123	28.0	12.7	single
OACPU2077	277	2000	6830	28.0	12.7	single
OACPU3077	277	3000	10246	28.0	12.7	single
OACPU4077	277	4000	13661	28.0	12.7	single
OACPU6077	277	6000	20491	50.0	22.7	double
OACPU8077	277	8000	27321	50.0	22.7	double
OACPU1504	480	1500	5123	28.0	12.7	single
OACPU2004	480	2000	6830	28.0	12.7	single
OACPU3004	480	3000	10246	28.0	12.7	single
OACPU4004	480	4000	13661	28.0	12.7	single
OACPU6004	480	6000	20491	50.0	22.7	double
OACPU8004	480	8000	27321	50.0	22.7	double

¹ 208V = 75% of wattage at 240V.

Add "BL" for white, "AM" for almond. Upcharge available for optional colors shown in the color chart section.

Options

Product # Kit	Product # Factory installed ¹	Description
KIT-OAWH-BSA	-	Surface mounting box for an extruded aluminum front grille, single unit
KIT-OAWH-BSA1-1	-	Semi recessed 1 in. trim kit for an extruded aluminum front grille, single unit
KIT-OAWH-BSA1-2	-	Semi recessed 2 in. trim kit for an extruded aluminum front grille, single unit
KIT-OAWH-BSA2	-	Surface mounting box for an extruded aluminum front grille, double unit
KIT-OAWH-BSA2-1	-	Semi recessed 1 in. trim kit for an extruded aluminum front grille, double unit
KIT-OAWH-BSA2-2	-	Semi recessed 2 in. trim kit for an extruded aluminum front grille, double unit
KIT-OAC-BS1	-	Surface mounting box, single unit
KIT-OAC-BS1-1	-	Semi recessed 1 in. trim kit, single unit
KIT-OAC-BS1-2	-	Semi recessed 2 in. trim kit, single unit
KIT-OAC-BS2	-	Surface mounting box, double unit
KIT-OAC-BS2-1	-	Semi recessed 1 in. trim kit, double unit
KIT-OAC-BS2-2	-	Semi recessed 2 in. trim kit, double unit
KIT-OAC-DVA	-	Extruded aluminum front grille, single unit
KIT-OAC-DVA2	-	Extruded aluminum front grille, double unit
KIT-OACP-DIS20 ²	DIS20 ²	Disconnect switch, double-pole, 20A at 240V (80% = 16A)
KIT-OACP-DIS40 ²	DIS40 ²	Disconnect switch, triple-pole, 40A at 600V (80% = 32A)
KIT-OACP-DIS80 ²	DIS80 ²	Disconnect switch, triple-pole, 80A at 600V (80% = 64A)
-	IV	Fan switch
KIT-OACP-R	R	24V control relay, without transformer
-	RT	24V control relay, with transformer
KIT-OACP-T	T	Thermostat
KIT-OACP-T-BAR	-	Adaptor for T-bar ceiling installation, 23 3/4 in. X 23 3/4 in. (602 mm X 602 mm), single unit
KIT-OACP-T-BAR2	-	Adaptor for T-bar ceiling installations, 23 3/4 in. X 47 11/16 in. (602 mm X 1211 mm), double unit

¹ For factory installed options, add the option number to the product number. See the **Product Code** section inside the front cover.

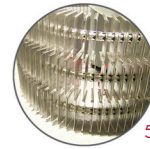
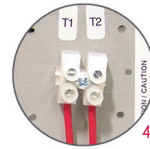
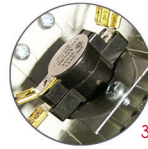
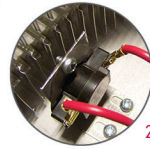
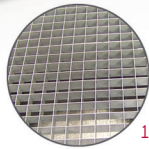
² For the U.S. only: The nominal current of the unit must not exceed 80% of the capacity of the disconnect.

ODS Ceiling Fan Heater



ODSR Recessed

ODSA (2kW to 5kW)
ODSB (7.5kW to 10kW)
Surface



Features

Color

- Standard: white, almond.
- Optional (upcharge applicable): metallic silver, bronze, metallic charcoal, aluminum, semi-gloss black, sand.
- Custom colors available upon request.

Finish

- Standard: epoxy/polyester powder paint.

Voltage

- 208V, 240V, 277V, 347V, 480V, 600V, 1 or-3 phase.

Construction

- Outlet grille made of flat ribbon wire. **1**
- High-limit temperature control with automatic reset. **2**

Fan

- Totally enclosed and lifetime-lubricated ball bearing motor.
- Fan delay purges heater of residual heat. **3**

Heating element

- Three stainless steel tubular heating elements with aluminum fins. **5**

Control

- 240/208V control circuit standard (except for 2 to 5kW at 277V have 277V control standard).

- Built-in 240V contactor for some models (see table).
- 24V and 120V control circuit available.
- Built-in tamperproof thermostat available.
- 24V relay (with or without transformer) available.
- Continuous circulation controlled by a built-in switch with power-on indicator light available (-CV).

Any remote thermostat or relay must be connected to the heater control terminal block. **4**

Installation

- Recommended height: between 8 ft. (2.4 m) and 12 ft. (3.6 m).
- Recessed into insulated or T-bar ceiling (ODSR).
- Surface mounting (ODSA and ODSB), T-BAR adaptor optional.

Note: We recommend installing this product on an outside ceiling to avoid vibrations spreading to an adjacent room.

Warranty

- 5-year warranty against defects.

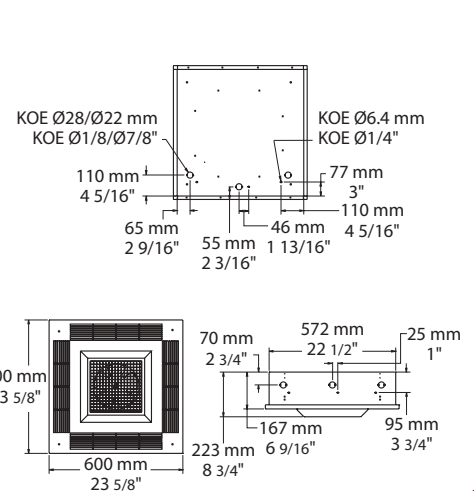
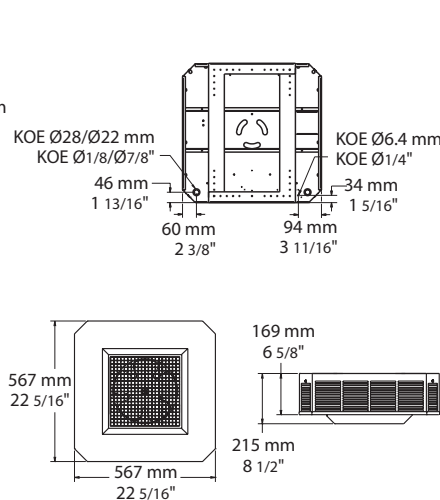
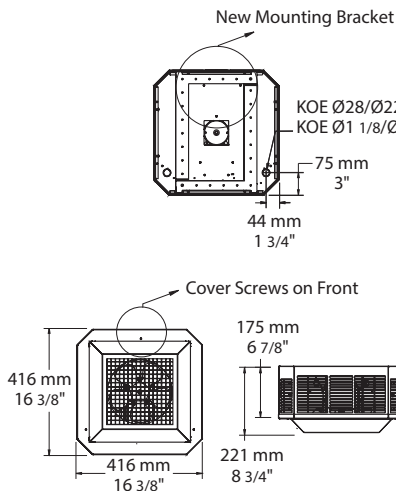
Application

- Apartment building, commercial building, drop ceiling, stairwell, garage.

ODSA - Surface
2-5kW, 25 lbs (11.4 kg)

ODSB - Surface
7.5-10kW, 34 lbs (15.5 kg)

ODSR - Recessed
2-5kW, 31 lbs (14.1 kg)



ODS

Models

Watts	Volts (ph)	Product #	Volts (ph)	Product #	cfm	Temperature Rise		Motor	
						°C	°F	HP	rpm
ODSA Surface									
2000	240 (1)	ODSAU02000	240 (3)	ODSAU02030 [†]	310	11	20	1/50	1550
3000	240 (1)	ODSAU03000	240 (3)	ODSAU03030 [†]	310	17	30	1/50	1550
4000	240 (1)	ODSAU04000	240 (3)	ODSAU04030 [†]	310	23	41	1/50	1550
5000	240 (1)	ODSAU05000 [†]	240 (3)	ODSAU05030 [†]	310	28	51	1/50	1550
2000	208 (1)	ODSAU02008	208 (3)	ODSAU02038 [†]	310	11	20	1/50	1550
3000	208 (1)	ODSAU03008	208 (3)	ODSAU03038 [†]	310	17	30	1/50	1550
4000	208 (1)	ODSAU04008	208 (3)	ODSAU04038 [†]	310	23	41	1/50	1550
5000	208 (1)	ODSAU05008 [†]	208 (3)	ODSAU05038 [†]	310	28	51	1/50	1550
2000	277 (1)	ODSAU02077	-	-	310	11	20	1/50	1550
3000	277 (1)	ODSAU03077	-	-	310	17	30	1/50	1550
4000	277 (1)	ODSAU04077	-	-	310	23	41	1/50	1550
5000	277 (1)	ODSAU05077	-	-	310	28	51	1/50	1550
2000	480 (1)	ODSAU02004 [†]	480 (3)	ODSAU02034 [†]	310	11	20	1/50	1550
3000	480 (1)	ODSAU03004 [†]	480 (3)	ODSAU03034 [†]	310	17	30	1/50	1550
4000	480 (1)	ODSAU04004 [†]	480 (3)	ODSAU04034 [†]	310	23	41	1/50	1550
5000	480 (1)	ODSAU05004 [†]	480 (3)	ODSAU05034 [†]	310	28	51	1/50	1550
ODSB Surface									
7500	240 (1)	ODSBU07500 [†]	240 (3)	ODSBU07530 [†]	600	22	39	1/33	1550
10000	240 (1)	ODSBU10000 [†]	240 (3)	ODSBU10030 [†]	600	29	53	1/33	1550
7500	208 (1)	ODSBU07508 [†]	208 (3)	ODSBU07538 [†]	600	22	39	1/33	1550
9900	208 (1)	ODSBU09908 [†]	208 (3)	ODSBU09938 [†]	600	29	53	1/33	1550
7500	277 (1)	ODSBU07577 [†]	-	-	600	22	39	1/33	1550
10000	277 (1)	ODSBU10077 [†]	-	-	600	29	53	1/33	1550
7500	480 (1)	ODSBU07504 [†]	480 (3)	ODSBU07534 [†]	600	22	39	1/33	1550
10000	480 (1)	ODSBU10004 [†]	480 (3)	ODSBU10034 [†]	600	29	53	1/33	1550
ODSR Recessed									
2000	240 (1)	ODSRU02000	240 (3)	ODSRU02030 [†]	310	11	20	1/50	1550
3000	240 (1)	ODSRU03000	240 (3)	ODSRU03030 [†]	310	17	30	1/50	1550
4000	240 (1)	ODSRU04000	240 (3)	ODSRU04030 [†]	310	23	41	1/50	1550
5000	240 (1)	ODSRU05000 [†]	240 (3)	ODSRU05030 [†]	310	28	51	1/50	1550
2000	208 (1)	ODSRU02008	208 (3)	ODSRU02038 [†]	310	11	20	1/50	1550
3000	208 (1)	ODSRU03008	208 (3)	ODSRU03038 [†]	310	17	30	1/50	1550
4000	208 (1)	ODSRU04008	208 (3)	ODSRU04038 [†]	310	23	41	1/50	1550
5000	208 (1)	ODSRU05008 [†]	208 (3)	ODSRU05038 [†]	310	28	51	1/50	1550
2000	277 (1)	ODSRU02077	-	-	310	11	20	1/50	1550
3000	277 (1)	ODSRU03077	-	-	310	17	30	1/50	1550
4000	277 (1)	ODSRU04077	-	-	310	23	41	1/50	1550
5000	277 (1)	ODSRU05077	-	-	310	28	51	1/50	1550
2000	480 (1)	ODSRU02004 [†]	480 (3)	ODSRU02034 [†]	310	11	20	1/50	1550
3000	480 (1)	ODSRU03004 [†]	480 (3)	ODSRU03034 [†]	310	17	30	1/50	1550
4000	480 (1)	ODSRU04004 [†]	480 (3)	ODSRU04034 [†]	310	23	41	1/50	1550
5000	480 (1)	ODSRU05004 [†]	480 (3)	ODSRU05034 [†]	310	28	51	1/50	1550

[†] Built-in 240V contactor.

Options

Product # Kit	Product # Factory installed [†]	Description
-	120	120V control circuit
-	CV	Summer fan switch and pilot light
KIT-ODS-DIS20 ²	DIS20 ²	Disconnect switch, double-pole, 20A at 277V and less (80% = 16A)
KIT-ODS-DIS40 ²	DIS40 ²	Disconnect switch, triple-pole, 40A at 600V max. (80% = 32A)
-	DIS80 ²	Disconnect switch, triple-pole, 80A at 600V (80% = 64A)
KIT-ODS-R	R	24V control relay, without transformer
-	RCV24	Summer fan relay 24V, remote control and pilot light (switch not included)
-	RCV240	Summer fan relay 240V, remote control and pilot light (switch not included)
-	RT	24V control relay, with transformer
KIT-ODS-T-AV	TAV	Thermostat tamperproof
KIT-ODSA-T-BAR	-	Adaptor for T-bar ceiling, ODSA only
KIT-ODSB-T-BAR	-	Adaptor for T-bar ceiling, ODSB only

[†] For factory installed options, add the option number to the product number. See the **Product Code** section inside the front cover.

² For the U.S. only: The nominal current of the unit must not exceed 80% of the capacity of the disconnect.
Add "BL" for white, "AM" for almond. Upcharge available for optional colors shown in the color chart section.
Other voltages available upon request.

ORA-EC22

Air Curtain for Small Entrances



FRICO

Features

Model

- Electric heat.
- No heat.

Color

- Stainless steel housing: white (RAL 9016, NCS S 0500-N).
- Grille, rear face and ends grey (RAL 7046).
- Custom colors available upon request (RAL Chart).

Tension

- 208V, 480V, 600V, 60 Hz.

Motor

- Very low operating costs can be achieved thanks to the combination of EC motors and Frico's unique fan geometry.

Construction

- Quick access to internal components via the maintenance hatch.
- High-limit temperature control with automatic reset.
- Integrated transformer for motor and control circuit (480V and 600V models).

Fan

- Squirrel-cage fans.

Élément

- Element provides instant heat (electric heat model).

Régulation

- Integrated control system and additional easy to use remote control.
- Door switch included.

Installation

- Maximum height installation: 7.2 ft. (2.2 m) above the floor.
- Suspended mounting:
 - With pendulum brackets included:
 - 4 brackets for 1m and 1.5m models and 6 brackets for 2m models.
 - With threaded rods (not included).

Note: The recommended installation height may vary according to the installation conditions. Air curtains must be placed as near to the entrance as possible and cover the entire width.

Warranty

- 5-year warranty against defects.

Certification

- CAN/CSA-E60335-2-30 :13 (R2018).
- UL 2021 ED. 4.0.
- Protection class for units with electrical heating: IP20.
- Protection class for units without heating: IP21.

Application

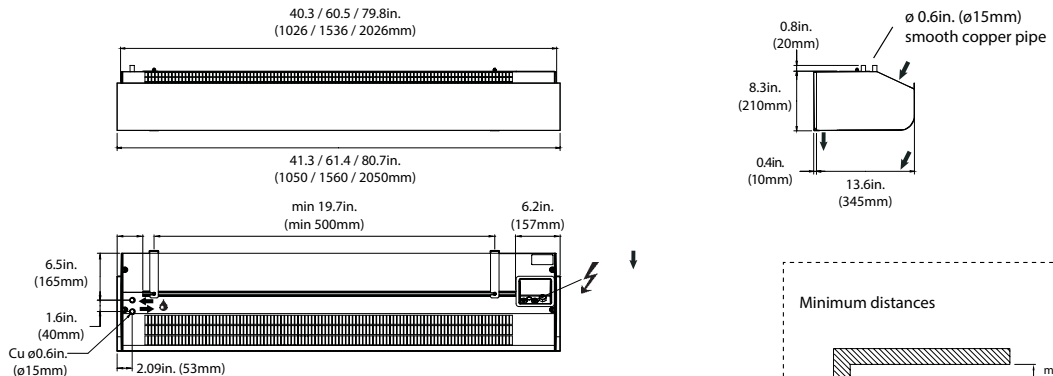
- Small entrances, vestibule, commercial building, lobby, service door, hospital, store entrance, drive-through, service counters.

Models

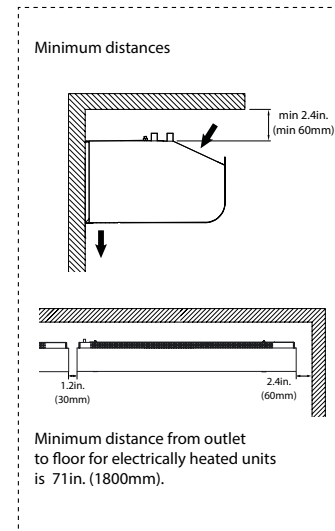
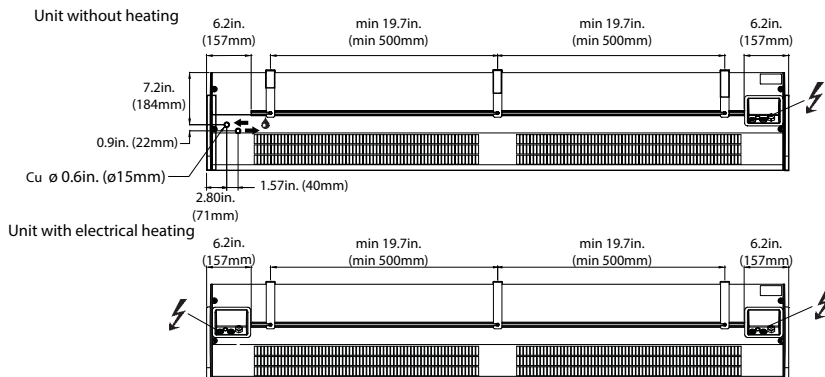
Volts (ph)	Product #	Heat Output kW Lo/Hi	Input Power Motor HP	Amp.	cfm	dBA ²	Effective air width		Weight	
							in.	mm	lb	kg
Surface-mounted										
Electric Heat (IP20)										
600 (3)	PAEC2210CE05-600VNA	3.3/5	1/8	5.4	765	70	30.6	777.24	42.1	19.1
600 (3)	PAEC2215CE08-600VNA	4/8	1/8	8.6	1265	72	50.7	1287.78	61.9	28.1
600 (3)	PAEC2220CE10-600VNA	5/10	1/8	10.6	1471	73	67.4	1711.96	79.6	36.1
480 (3)	PAEC2210CE05-480VNA	3.3/5	1/8	6.6	765	70	30.6	777.24	41.4	18.8
480 (3)	PAEC2215CE08-480VNA	4/8	1/8	10.5	1265	72	50.7	1287.78	61.3	27.8
480 (3)	PAEC2220CE10-480VNA	5/10	1/8	13	1471	73	67.4	1711.96	78.9	35.8
208 (3)	PAEC2210CE04-208VNA	2.7/4.1	1/8	11.9	765	70	30.6	777.24	37.5	17.0
208 (3)	PAEC2215CE07-208VNA	3.2/6.5	1/8	18.9	1265	72	50.7	1287.78	57.3	26.0
208 (3)	PAEC2220CE08-208VNA	4.1/8.1	1/8	23.5	1471	73	67.4	1711.96	75	34.0
No Heat (IP21)										
208 (1)	PAEC2210CA-NA	-	-	0.6	765	70	30.6	777.24	35.3	16.0
208 (1)	PAEC2215CA-NA	-	-	0.9	1265	72	50.7	1287.78	52.9	24.0
208 (1)	PAEC2220CA-NA	-	-	1.0	1471	73	67.4	1711.96	70.5	32.0

To order any custom colors from the R.A.L. chart, add "SP" at the end of the Product # and specify RAL color # on the order. Contact our customer service department for lead times.

All models



78.7in. (2m) units



ORA-EC40

Commercial and Industrial Air Curtain



Horizontal mounting



Vertical mounting



Features

Model

- Electric heat.
- No heat.

Color

- Stainless steel housing: white (RAL 9016, NCS S 0500-N).
- Grille, rear face and ends: grey (RAL 7046).
- Custom colors available upon request (RAL Chart).

Voltage

- 208V, 480V, 600V, 60 Hz.

Motor

- Very low operating costs can be achieved thanks to the combination of EC motors and Frico's unique fan geometry.

Construction

- External electronic board for easy connection and maintenance.
- Quick access to internal components via the maintenance hatch.
- High-limit temperature control with automatic reset.
- Integrated transformer for motor and control circuit (480V and 600V models).

Fan

- Squirrel-cage fans.

Element

- Element provides instant heat (electric heat model).

Control

- SIRe control system included.
- Door switch included.

- Compatible with a Building Management System.
- Personalize programming of the air curtain.

Installation

- Maximum height installation (horizontal mounted):
 - Surface mounted: 13.1 ft. (4 m) above floor.
 - Recessed: 13.1 ft. (4 m) above floor.
- Maximum width installation (vertical mounted):
 - 16 to 20 ft. (5 to 6 m) 2 units, 1 on each side.
- For vertical mounting, the air curtain must be used with the joining and vertical mounting kit PA4JK (not included).
- Design kit can be used for unobtrusive installations using concealed brackets, tubes and cables (not included).

Note: The recommended installation height may vary according to the installation conditions. Air curtains must be placed as near to the entrance as possible and cover the entire width.

Warranty

- 5-year warranty against defects.

Certification

- AMCA 210, 220 and 300 certified for performance and sound level, and meets the following Energy Standard for Buildings Code: ANSI/ASHRAE/IES standard 90.1.

Application

- Garage door, vestibule, commercial building, lobby, service door, hospital, store entrance.

ORA-EC40

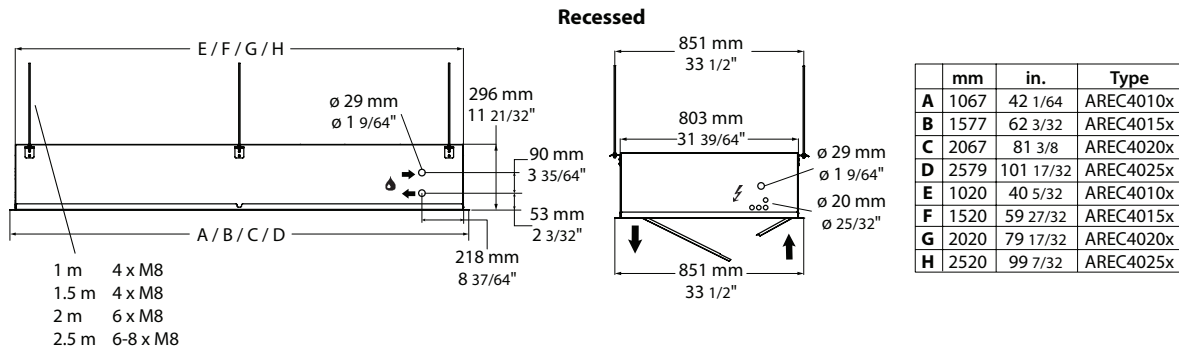
Models

Volts (ph)	Product #	kW Lo/Hi	Amp.	cfm	Max velocity (ft./min) ¹	dBA ²	Effective width of air stream		Weight	
							in.	mm	lb	kg
Surface-mounted										
Electric heat										
600 (3)	PAEC4010E12-600VNA	4/12	15	1400	2560	80	38	960	104	47
600 (3)	PAEC4015E18-600VNA	6/18	23	1950	2560	81	58	1470	137	62
600 (3)	PAEC4020E24-600VNA	8/24	30	2800	2560	82	77	1960	185	84
600 (3)	PAEC4025E30-600VNA	10/30	38	3300	2560	83	97	2470	234	106
480 (3)	PAEC4010E12-480VNA	4/12	18	1400	2560	80	38	960	104	47
480 (3)	PAEC4015E18-480VNA	6/18	27	1950	2560	81	58	1470	137	62
480 (3)	PAEC4020E24-480VNA	8/24	35	2800	2560	82	77	1960	185	84
480 (3)	PAEC4025E30-480VNA	10/30	45	3300	2560	83	97	2470	234	106
208 (3)	PAEC4010E10-208VNA	4/10	31	1400	2560	80	38	960	93	42
208 (3)	PAEC4015E15-208VNA	5/15	45	1950	2560	81	58	1470	126	57
208 (3)	PAEC4020E20-208VNA	7/20	60	2800	2560	82	77	1960	172	78
No heat										
208 (1)	PAEC4010A-NA	-	3.0	1400	2560	80	38	960	84	38
208 (1)	PAEC4015A-NA	-	4.5	1950	2560	81	58	1470	108	49
208 (1)	PAEC4020A-NA	-	6.0	2800	2560	82	77	1960	141	64
208 (1)	PAEC4025A-NA	-	7.5	3300	2560	83	97	2470	172	78
Recessed										
Electric heat										
600 (3)	AREC4010E12-600VNA	4/12	15	1530	2220	76	38	960	125	56.5
600 (3)	AREC4015E18-600VNA	6/18	22	2150	2220	76	59	1485	171	77.5
600 (3)	AREC4020E24-600VNA	8/24	30	3050	2220	78	78	1975	224	101.5
600 (3)	AREC4025E30-600VNA	10/30	36	3650	2220	80	98	2508	287	121.0
480 (3)	AREC4010E12-480VNA	4/12	19	1530	2220	76	38	960	125	56.5
480 (3)	AREC4015E18-480VNA	6/18	26	2150	2220	76	59	1485	171	77.5
480 (3)	AREC4020E24-480VNA	8/24	35	3050	2220	78	78	1975	224	101.5
480 (3)	AREC4025E30-480VNA	10/30	43	3650	2220	80	98	2508	287	121.0
208 (3)	AREC4010E10-208VNA	4/10	31	1530	2220	76	38	960	117	53.0
208 (3)	AREC4015E15-208VNA	5/15	44	2150	2220	76	59	1485	163	74.0
208 (3)	AREC4020E20-208VNA	7/20	60	3050	2220	78	78	1975	212	96.0
No heat										
208 (1)	AREC4010A-NA	-	3.1	1530	2220	76	38	960	99	52
208 (1)	AREC4015A-NA	-	3.9	2150	2220	76	59	1485	139	71
208 (1)	AREC4020A-NA	-	6.2	3050	2220	78	78	1975	181	94
208 (1)	AREC4025A-NA	-	7.0	3650	2220	80	98	2508	234	121

To order any custom colors from the R.A.L. chart, add "SP" at the end of the Product # and specify RAL color # on the order. Contact our customer service department for lead times.

¹ Measurements according to AMCA 220-05. Average values for products in the series. Measurement taken at 0.3 ft. (0.1 m).

² Values shown are for total sound power levels for Installation Type A: free inlet, free outlet. The Sound power level ratings shown are in decibels, referred to 10-12 watts, calculated per AMCA Standard 301.



ORA-EC40

Options for horizontal mounting

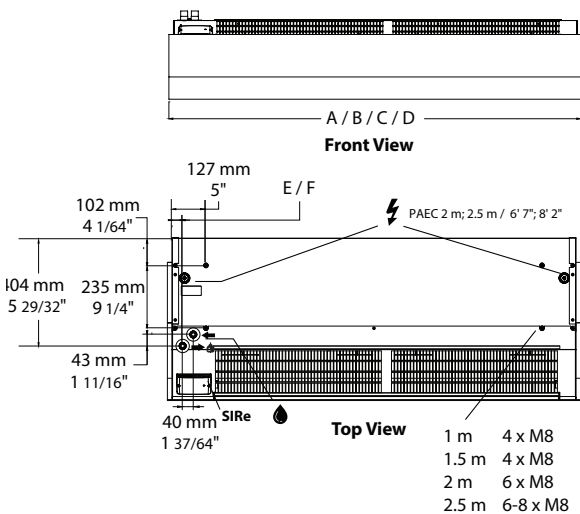
Product # Kit	Description	Quantity included	Dimension	
			in.	mm
PA34WB15	Wall mounting brackets for 1 and 1.5 m (3.3 and 4.9 ft.) units	2	16	400
PA34WB20	Wall mounting brackets for 2 m (6.6 ft.) units	3	16	400
PA34WB30	Wall mounting brackets for 2.5 m (8.2 ft.) units	4	16	400
PA34VD15	Vibration dampers for 1 and 1.5 m (3.3 and 4.9 ft.) units	4	-	-
PA34VD20	Vibration dampers for 2 m (6.6 ft.) units	6	-	-
PA34VD30	Vibration dampers for 2.5 m (8.2 ft.) units	8	-	-
PA4JK	Joining and vertical mounting kit PAEC4000	1	-	-
PA4DW10	Design kit for wall and vertical mounting PAEC4010x	1	3 27/64 x 16 11/16 x 39 39/64	87 x 424 x 1006
PA4DW15	Design kit for wall and vertical mounting PAEC4015x	1	3 27/64 x 16 11/16 x 59 11/16	87 x 424 x 1516
PA4DW20	Design kit for wall and vertical mounting PAEC4020x	1	3 27/64 x 16 11/16 x 78 31/32	87 x 424 x 2006
PA4DW25	Design kit for wall and vertical mounting PAEC4025x	1	3 27/64 x 16 11/16 x 99 1/16	87 x 424 x 2516
PA4DCS	Design kit for ceiling mounting, small	1	8 - 12	200 - 300
PA4DCM	Design kit for ceiling mounting, medium	1	12 - 20	300 - 500
PA4DCL	Design kit for ceiling mounting, large	1	20 - 36	500 - 900
PA4DXT	Design kit for ceiling mounting, extension	1	16 17/32	420

Options for vertical mounting

Product # Kit	Description	Quantity included
PA4JK	Joining and vertical mounting kit PAEC4000	1
PA4DW10	Design kit for wall and vertical mounting PAEC4010x	1
PA4DW15	Design kit for wall and vertical mounting PAEC4015x	1
PA4DW20	Design kit for wall and vertical mounting PAEC4020x	1
PA4DW25	Design kit for wall and vertical mounting PAEC4025x	1
AXP300	Collision protection	1

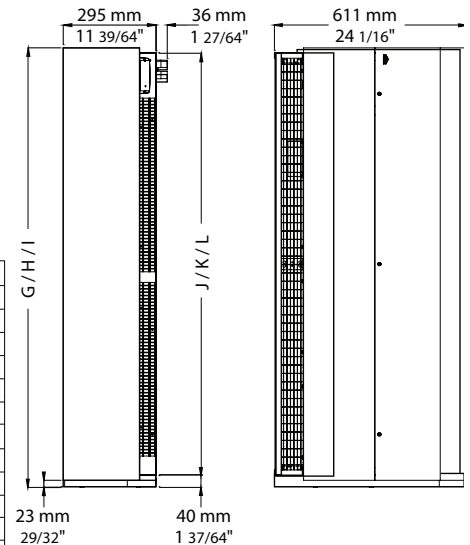


Surface - Horizontal mounting



	mm	in.	Type
A	1039	40 29/32	PAEC4010x
B	1549	60 63/64	PAEC4015x
C	2039	80 9/32	PAEC4020x
D	2549	100 23/64	PAEC4025x
E	40	1 37/64	PAEC4010/15/20x
F	39	1 17/32	PAEC4025x
G	1572	61 57/64	PAEC4015x
H	2062	81 3/16	PAEC4020x
I	2572	101 17/64	PAEC4025x
J	1515	59 41/64	PAEC4015x
K	2004	78 57/64	PAEC4020x
L	2515	99 1/64	PAEC4025x

Surface - Vertical mounting



ORA-PA15

Drive-Through/
Service Counters Air Curtain



IP20



Features

Model

- Electric heat.

Color

- Front: white (RAL 9016, NCS S 0500-N).
- Grille, rear face, ends and brackets: grey (RAL 7046).
- Custom colors available upon request (RAL Chart).

Voltage

- 208V, 60Hz, 1 phase.

Construction

- Corrosion proof housing made of hot zinc-plate and powder coated steel panels.
- Quick access to internal components via the maintenance hatch.
- 4.3 ft. (1.3 m) power cord without plug.
- High-limit temperature control with automatic reset

Fan

- Squirrel-cage fans.

Element

- Element provides instant heat.

Control

- Control knobs to set the fan and heating steps.

Installation

- The unit can be installed at an angle on the bracket, which is used for wall or ceiling mounting

Warranty

- 1-year warranty against defects

Certification

- CAN/CSA-E60335-2-30:13 (R2018).
- UL 2021 Ed. 4.0.

Application

- Small openings such as drive-through and service counters.

ORA-PA15

Models

Volts (1 ph)	Product #	kW Lo/Hi	FLA ¹	cfm	dBA ²	Weight	
						lb	kg
208	PA1508E02NA	1.7/2.4	13	200	50	17	7.7
208	PA1508E04NA	2.5/3.7	19	200	50	17	7.7

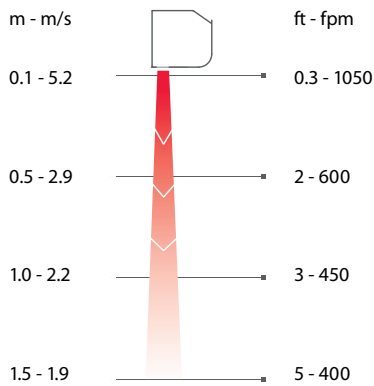
To order any custom colors from the R.A.L. chart, add "SP" at the end of the Product # and specify RAL color # on the order. When ordering a different color, inquire about delivery times and prices. Contact our customer service department for lead times

¹ FLA: total amperage for motor and heat.

² Sound pressure (dBA) Conditions: Distance to the unit 5 m. Directional factor: 2. Equivalent absorption area: 200 m². At highest air flow.

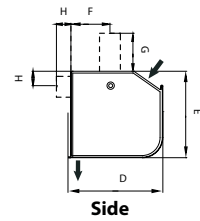
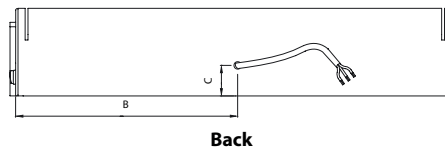
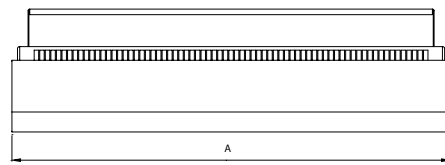
Above table is valid for 208V, 1ph, 60Hz. Also approved for 230V, 1ph, 60Hz. Product performance for 230V, 1ph, 60Hz will differ from stated data.

Air velocity profile



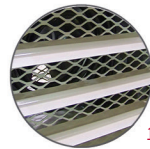
Measurements according to AMCA 220-05.
Average values for products in the series.

Dimensions



Ref	mm	in
A	790	31.1
B	390	15.4
C	55	2.2
D	167	6.6
E	154	6.1
F	70	2.8
G	67	2.6
H	25	1.0

OAE Economical Unit Heater



Features

Color

- Standard: almond.

Finish

- Standard: epoxy/polyester powder paint.

Voltage

- 240/208V, 1-phase.

Construction

- 20-gauge steel.
- Adjustable louvers to control warm air flow. **1**
- High-limit temperature control with automatic reset (first level) and single operation thermal fuse (second level). **2**

Fan

- 300 cfm fan (51 dBA).
- Totally enclosed factory-lubricated motor. **3**

Heating element

- Helical coil nickel-chromium alloy wire protected by ceramic insulators. **4**
- Heating element provides instant heat.

Control

- Built-in thermostat included.

Installation

- Wall or ceiling mounting using the supplied brackets which allow 360° rotation of the heater and prevent it from tipping over.

Warranty

- 3-year warranty against defects.

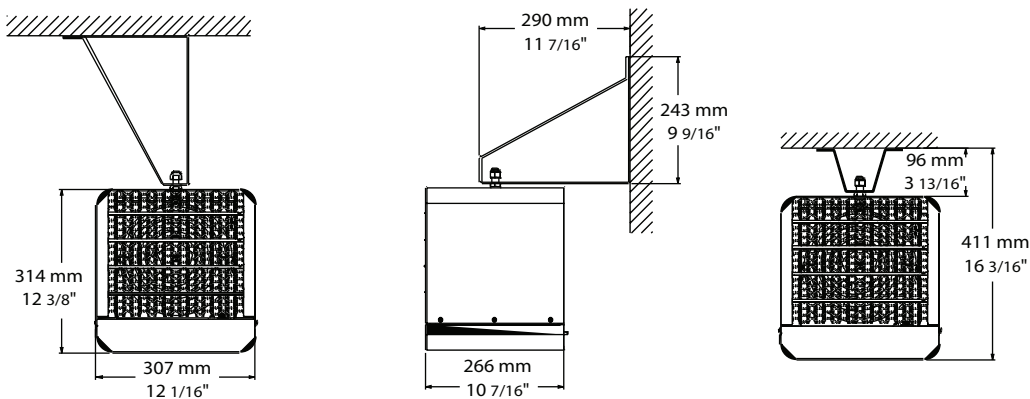
Application

- Garage, workshop.

Models

Product # ¹	Volts	Watts	BTU/hr	Weight	
				lb	kg
OAEU2000AM-EO-TB6	240/208	2000/1500	6824/5118	20.0	9.1
OAEU3000AM-EO-TB6	240/208	3000/2250	10236/7677	20.0	9.1
OAEU5000AM-EO-TB6	240/208	5000/3750	17060/12795	20.0	9.1

¹ Mounting brackets included.
Standard color is almond.



OCC Portable Construction Heater



Grounded 3-Pronged Outlet



NEMA 6-20R
20A, 250VAC



NEMA 6-30R
30A, 250VAC

Features

Color

- Standard: almond.

Finish

- Standard: epoxy/polyester powder paint.

Voltage

- 240/208V, 1-phase.

Construction

- Handle may be used as a reel for the electrical cable.
- 6 ft. (2 m) molded electrical cable for extra durability.
- Safely recessed thermostat knob reduces heater size to a minimum.
- High-limit temperature control with automatic reset (first level) and single operation thermal fuse (second level).

Fan

- Open motor permanently lubricated (-MO model). ¹
- 300 cfm fan.

Heating element

- Helical coil nickel-chromium alloy wire protected by ceramic insulators.
- Heating element provides instant heat.

Temperature rise

- 28 °C (51 °F).

Control

- Built-in thermostat included.

Installation²

- 4000W must be plugged into a grounded 3-pronged outlet, 20A, 240VAC.
- 4800W must be plugged into a grounded 3-pronged outlet, 30A, 240VAC.

Warranty

- 2-year warranty against defects.

Application

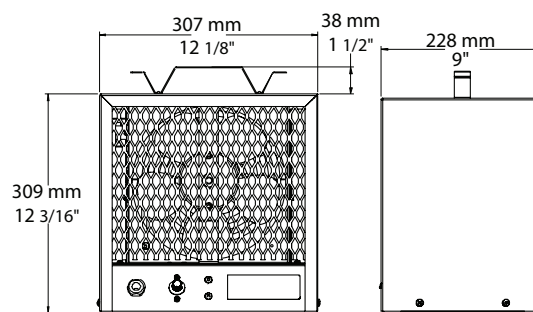
- Construction area, workshop, garage.

Models

Product #	Volts	Watts	Motor type	Grounded 3-Pronged Outlet	Weight	
					lb	kg
OCCU4000AM-MO-TB6 ¹	240/208	4000/3000	Open	20A, 240VAC	16.0	7.3
OCCU4800AM-MO-TB6 ¹	240/208	4800/3600	Open	30A, 240VAC	16.0	7.3

¹ The open motor is not intended for use in a dusty environment.

² Always unplug heater when not in use.
Standard color is almond.



OCC-WB Unit Heater with Bracket



Grounded 3-Pronged Outlet



NEMA 6-20R
20A, 250VAC



NEMA 6-30R
30A, 250VAC

Features

Color

- Standard: almond.

Finish

- Standard: epoxy/polyester powder paint.

Voltage

- 240/208V, 1-phase.

Construction

- Handle may be used as a reel for the electrical cable and as attach point for the bracket.
- 6 ft. (2 m) molded electrical cable for extra durability.
- Safely recessed thermostat knob reduces heater size to a minimum.
- High-limit temperature control with automatic reset.

Fan

- Enclosed motor permanently lubricated.
- 300 cfm fan.

Heating element

- Helical coil nickel-chromium alloy wire protected by ceramic insulators.
- Heating element provides instant heat.

Temperature rise

- 28 °C (51 °F).

Control

- Built-in thermostat included.

Installation ¹

- Wall or ceiling mounting using the supplied bracket which allow 360 ° rotation of the heater and prevent it from tipping over.
- 4000W must be plugged into a grounded 3-pronged outlet, 20A, 240VAC.
- 4800W must be plugged into a grounded 3-pronged outlet, 30A, 240VAC.

Warranty

- 3-year warranty against defects.

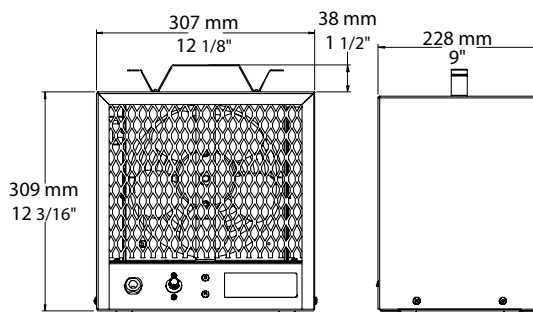
Application

- Workshop, shed, garage.

Models

Product #	Volts	Watts	Motor type	Grounded 3-Pronged Outlet	Weight	
					lb	kg
OCCU4000AMWB-MF-TB6 ¹	240/208	4000/3000	Enclosed	20A, 240VAC	16.0	7.3
OCCU4800AMWB-MF-TB6 ¹	240/208	4800/3600	Enclosed	30A, 240VAC	16.0	7.3

¹ Always unplug heater when not in use.
Standard color is almond.



OKB Infrared Radiant Heater



Features

Finish

- Anodized aluminum.

Voltage

- 120V, 208V, 240V, 480V, 600V, 1-phase.
- Other voltages available upon request.

Construction

- No visible light is emitted by the heater.
- Built-in adjustable directional system.
- 60° standard radiation angle (optional 45°).

Heating element

- Incoloy stainless steel tubular heating element with 60° standard radiation angle (optional 45°).
- Quartz element with 60° standard radiation angle.

Installation

- Vertical or horizontal mounting for stainless steel element models.
- Horizontal mounting for Quartz element models.
- Surface-mounted to connection box (on non-combustible surface) or suspended by chains and eyelets (chains not included).
- Must be connected only to a circuit protected by suitable ground fault protection.
- 90 °C (194 °F) wiring is sufficient.
- Recommended installation height: 8 to 10 ft. (2.4 to 3 m).

Warranty

- 1-year warranty against defects.

Application

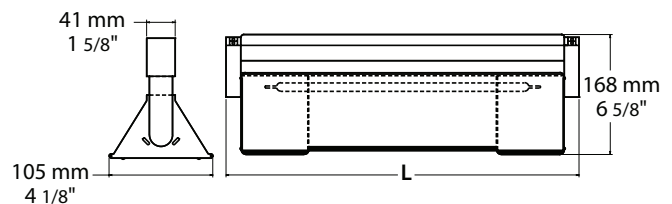
- Factory, warehouse, workshop, church.

Models

Watts	Product #			Over-All Length		Heating Section		Weight	
	120V	208V	240V	in.	mm	in.	mm	lb	kg
Incoloy stainless steel tubular heating element with 60° standard radiation angle (optional 45°)¹									
950	OKB299C611	OKB299C621	OKB299C631	31 1/2	800	20	508	5.1	2.3
1500	OKB411C611	OKB411C621	OKB411C631	43 1/2	1105	32	813	6.8	3.1
1900	OKB471C611	OKB471C621	OKB471C631	49 1/2	1257	38	965	8.0	3.6
2000	-	OKB412C621	OKB412C631	43 1/2	1105	32	813	7.2	3.3
2300	-	OKB472C621	OKB472C631	49 1/2	1257	38	965	8.1	3.7
3000	-	OKB593C621	OKB593C631	61 1/2	1562	50	1270	9.9	4.5
3800	-	OKB713C621	OKB713C631	73 1/2	1867	62	1575	11.7	5.3
Quartz element with 60° standard radiation angle									
800	OKB258T611	OKB258T621	OKB258T631	27 1/2	800	16	406	4.9	2.2
1600	OKB411T611	OKB411T621	OKB411T631	43 1/2	1105	32	813	7.1	3.2
2500	-	OKB592T621	OKB592T631	61 1/2	1562	50	1270	9.7	4.4
3100	-	OKB713T621	OKB713T631	72 1/2	1867	62	1575	11.3	5.1

Options

Product # Kit	Description
WGA040	Wire guard for heated section of 16" (406 mm)
WGA050	Wire guard for heated section of 20" (508 mm)
WGA081	Wire guard for heated section of 32" (813 mm)
WGA096	Wire guard for heated section of 38" (965 mm)
WGA127	Wire guard for heated section of 50" (1270 mm)
WGA157	Wire guard for heated section of 62" (1575 mm)



¹45° spread available upon request. Remember to change the 6 for 4 when ordering.

E.g.: OKB299C621 becomes OKB299C421.

Other voltages available upon request.

OAU Agricultural Wash Down Unit Heater



Features

Certification

- CSA C22.2 46, UL2021.
- Corrosion requirements CSA C22.2 94.
- Hose down requirements CSA C22.2 94 Type 4X.

Color

- Standard: white.

Finish

- Standard: epoxy/polyester powder paint making it more resistant to corrosion.

Voltage

- 240/208V, 1-phase.

Construction

- Robust, 18-gauge satin coat steel construction.
- Adjustable louvers to direct air flow.
- High-limit temperature control with automatic reset.
- CSA C22.2 94 4X non-metallic electrical enclosure.

Fan

- Totally enclosed air over and factory-lubricated ball bearing motor.
- Motor mounted in cold compartment.
- Thermally-protected motor.
- Fan delay at start and shutdown.

Heating element

- Durable low-density steel tubular heating elements with fins; painted in black for a better corrosion resistance.

Control

- 40A disconnect switch built-in.
- 240/208V control circuit built-in.
- Fan switch control built-in.
- Built-in pilot light indicating when high-limit temperature control has been activated.
- High-quality built-in thermostat with stainless steel bulb and capillary, offering great accuracy.

Installation

- Horizontal wall or ceiling mounting using one of two supplied brackets which allow 360° rotation.
- Sealed electrical enclosure located at bottom of unit for ease of installation and servicing.
- Maximum recommended height 12 ft. (3.7 m).
- Minimum height of 8 ft. (2.4 m)
- 30 °C (85 °F) maximum operating ambient temperature.

Warranty

- 1-year warranty against defects.
- 3-year on the heating elements.

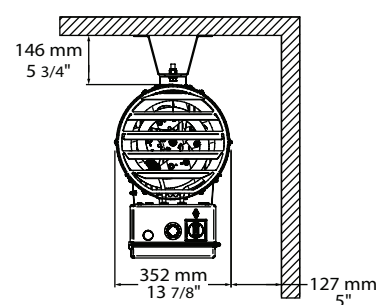
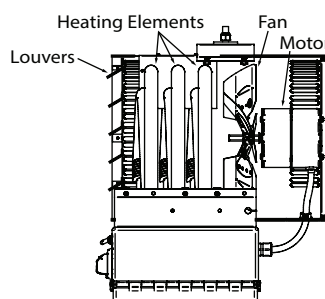
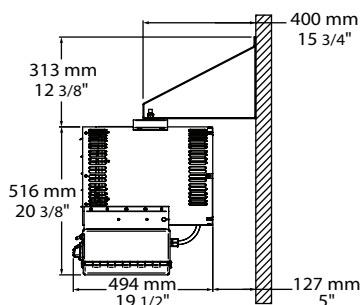
Application

- Agricultural installations (dairy farm, stables, poultry farm, barn, pig farm, kennel, etc.).

Model

Watts	Volts (ph)	Product #	BTU/hr	cfm	Temperature Rise		Motor		Weight	
					°C	°F	HP	rpm	lb	kg
5000/3750	240/208 (1)	OAAU05000BLLT-DIS40-IV-T ¹	17060/12795	300	30	53	1/4	1050	52.8	23.9

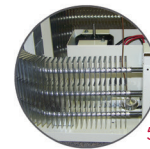
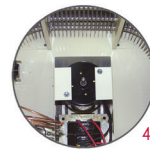
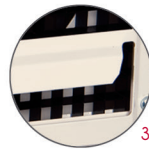
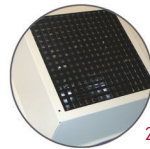
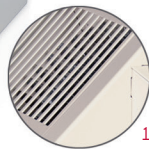
¹ Unit with automatic reset high-limit temperature control. Standard color is white.



OHV Commercial Unit Heater



Training available online www.ouellet.com



Features

Color

- Standard: almond.

Finish

- Standard: epoxy/polyester powder paint.

Voltage

- 208V, 240V, 277V, 347V, 480V, 600V, 1 or 3-phase.

Construction

- Draw-through design for more evenly heated air. **1**
- Specially designed outlet diffuser provides maximum air velocity. **2**
- Individually adjustable louvers to direct discharge air flow. **3**
- High-limit temperature control with automatic reset.
- 18 and 20 gauge steel.

Fan

- Motor - totally enclosed - thermally protected. **4**
- Motor mounted in ambient air stream, shielded from heating elements. **5**
- Fan delay purges heater of residual heat for longer life.

Heating element

- Stainless steel sheath with aluminum fins.
- Draw-through design permits greater heat transfer.

Control

- All models have factory installed contactor.

- 24V control circuit standard on all models (except 2, 3 & 5kW, 208/240V heaters).

- 2, 3 & 5kW, 208/240V heaters have 208/240V control (24V control available).

- Full line of unit mounted control accessories available (factory or field installed).

Installation

- Minimum mounting height of 6 ft. (1.8 m.)
- Horizontal or vertical discharge air flow.
- Includes wall and ceiling mounting brackets (for horizontal discharge air flow).
- For vertical air flow 4 welded nuts (for threaded rod 3/8 in. X 16 UNC) provided in heater back.
- Large and easily accessible control compartment.

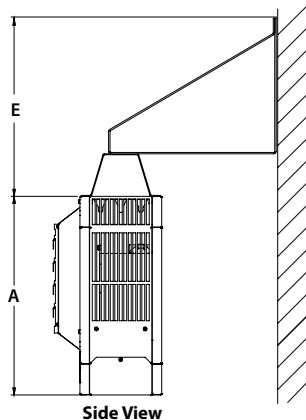
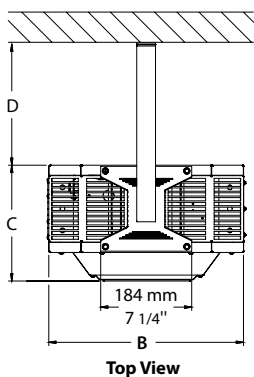
Note: We recommend installing this product on an outside ceiling or wall to avoid vibrations spreading to an adjacent room.

Warranty

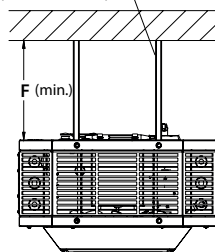
- 5-year warranty against defects.

Application

- Factory, warehouse, garage, store, shipping room.



4 Threaded Rods
(3/8" - 16 UNC)
(Not Included)



	2-5kW		7.5-10kW		15-20kW	
	mm	in.	mm	in.	mm	in.
A	416	16 3/8	622	24 1/2	622	24 1/2
B	395	15 9/16	559	22	559	22
C	231	9 1/8	276	10 7/8	412	16 1/4
D	244	9 5/8	357	14 1/16	289	11 3/8
E	373	14 11/16	507	19 15/16	556	21 7/8
F	152	6	254	10	152	6
Weight	kg	lb	kg	lb	kg	lb
	18	40	30	67	41	90

OHV

Models

Product #	Volts (ph)	kW	Control Voltage	BTU/hr	cfm	Temperature Rise		Motor	
						°C	°F	HP	rpm
OHVU02008AM	208 (1/3 ¹)	2	240/208	6824	310	11	20	1/50	1490
OHVU03008AM	208 (1/3 ¹)	3	240/208	10236	310	17	31	1/50	1490
OHVU05008AM	208 (1/3 ¹)	5	240/208	17060	310	28	50	1/50	1490
OHVU07508AM-24	208 (1/3 ¹)	7.5	24	25590	600	22	40	1/33	1490
OHVU09908AM-24	208 (1/3 ¹)	9.9	24	33780	600	29	52	1/33	1490
OHVU15038AM-24	208 (3)	15	24	51180	915	29	52	1/8	1490
OHVU02000AM	240/208 (1/3 ¹)	2/1.5	240/208	6824/5118	310	11	20	1/50	1550
OHVU03000AM	240/208 (1/3 ¹)	3/2.3	240/208	10236/7848	310	17	31	1/50	1550
OHVU05000AM	240/208 (1/3 ¹)	5/3.75	240/208	17060/12966	310	28	50	1/50	1550
OHVU07500AM-24	240/208 (1/3 ¹)	7.5/5.6	24	25590/19200	625	21	38	1/33	1550
OHVU10000AM-24	240/208 (1/3 ¹)	10/7.5	24	34120/25590	625	28	50	1/33	1550
OHVU15000AM-24	240/208 (1/3 ¹)	15.0/11.3	24	51180/38387	950	28	50	1/8	1550
OHVU15030AM-24	240/208 (3)	15/11.3	24	51180/38387	950	28	50	1/8	1550
OHVU19830AM-24	240/208 (3)	19.8/14.9	24	67560/50840	1300	27	49	1/8	1550
OHVU20000AM-24	240/208 (1/3 ¹)	20.0/15.0	24	68240/51180	1300	27	49	1/8	1550
OHVU20038AM-24	208 (3)	20.0	24	68240	1250	28	50	1/8	1490
OHVU02077AM-24	277 (1)	2	24	6824	310	11	20	1/50	1550
OHVU03077AM-24	277 (1)	3	24	10236	310	17	31	1/50	1550
OHVU05077AM-24	277 (1)	5	24	17060	310	28	50	1/50	1550
OHVU07577AM-24	277 (1)	7.5	24	25590	625	21	38	1/33	1550
OHVU10077AM-24	277 (1)	10	24	34120	625	28	50	1/33	1550
OHVU02034AM-24 ²	480 (3)	2	24	6824	310	11	20	1/50	1550
OHVU03034AM-24 ²	480 (3)	3	24	10236	310	17	31	1/50	1550
OHVU05034AM-24 ²	480 (3)	5	24	17060	310	28	50	1/50	1550
OHVU07534AM-24 ²	480 (3)	7.5	24	25590	625	21	38	1/33	1550
OHVU10034AM-24	480 (3)	10	24	34120	625	28	50	1/33	1550
OHVU15034AM-24	480 (3)	15	24	51180	950	28	50	1/8	1550
OHVU20034AM-24	480 (3)	20	24	68240	1300	27	49	1/8	1550

¹ Models with the indication "1/3" can be field converted from 1 to 3-phase.

² 480V, 1-phase available upon request.

Remember to change the 3 for 0 when ordering. E.g.: OHVU05034AM-24 becomes OHVU05004AM-24. 600V available upon request.

Mounting hardware included.

Standard color is almond.

Options

Product # Kit	Product # Factory installed [*]	Description
-	120	120V control circuit
-	24	24V control circuit
-	3P	Triple-pole contactor
KIT-OHV-D4 ¹	D4 ¹	Disconnect switch, triple-pole, 40A
KIT-OHV-D8 ¹	D8 ¹	Disconnect switch, triple-pole, 80A
KIT-OHV-F1	F1	Continuous fan switch, for 2 to 5kW units
KIT-OHV-F2	F2	Continuous fan switch with 24V relay, for units with 24V control circuit
KIT-OHV-F3	F3	Continuous fan switch, for less than 480V units (7.5 to 20kW)
KIT-OHV-F4	F4	Continuous fan switch, for 480V units and over (7.5 to 20kW)
KIT-OHV-FR	FR	Unit mounted fan relay for remote fan control of heaters with 24V control circuit (remote fan switch not included)
-	HL	Hi/Lo switch (15 to 20kW)
KIT-OHV-RT	RT	24V relay, with transformer
KIT-OHV-T2S	T2S	2-stage thermostat (15 to 20kW)
KIT-OHV-T5	T5	Single-stage thermostat, for 10kW units and less
KIT-OHV-T6	T6	Single-stage thermostat, for units over 10kW

^{*} For factory installed options, add the option number to the product number. See the **Product Code** section inside the front cover.

¹ For the U.S. only: The nominal current of the unit must not exceed 80% of the capacity of the disconnect.

OHV-CC Commercial Portable Unit Heater



Features

Color

- Standard: red and black.

Finish

- Standard: epoxy/polyester powder paint.

Voltage

- 240/208V, 1 phase.

Construction

- Positive off, double-pole, single-throw thermostat.
- Fan on/auto switch.
- Two level finger tip - high/low heat selector switch.
- Manual-reset over temperature protector.
- Specially designed outlet diffuser prevents foreign objects from entering heater.
- 18 and 20 gauge steel.
- Motor - totally enclosed - thermally protected.
- Draw-through design permits greater heat transfer.

Installation

- Versatile stand for floor or wall mount.
- Adjustable bracket/knobs allows all angle rotation.
- 20A cordset (NEMA 6-20P) on 4kW heater.
- 30A cordset (NEMA 6-30P) on 5kW heater.

Warranty

- 1-year warranty against defects.

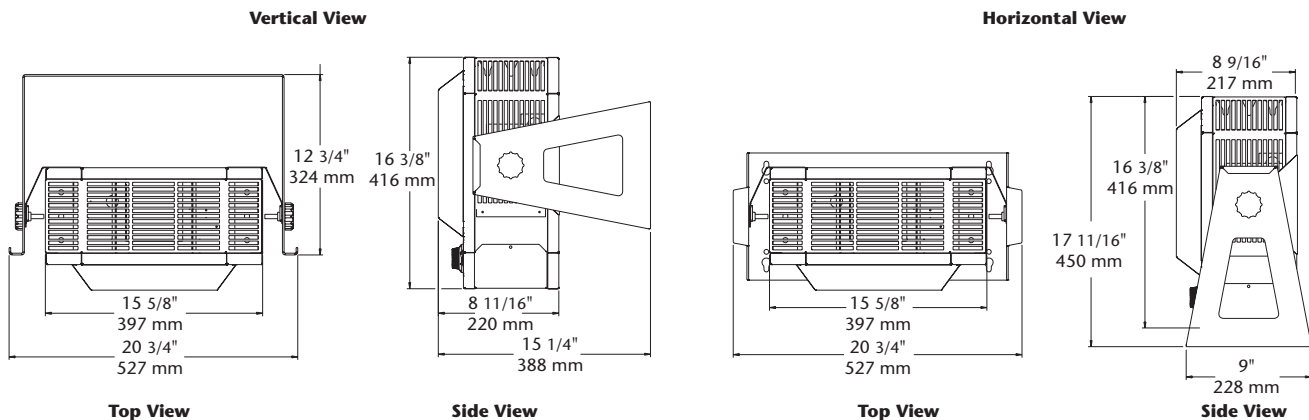
Application

- Construction job site, garage, workshop, unheated area.

Models

Product # ¹	Volts	Phase	kW	Amp.	Air Flow		Temperature Rise		Weight		Plug
					fpm	cfm	°C	°F	lb	kg	
OHVU04000ROCC-F1-HL-T5	240/208	1	4/3	16.7/14.4	800	310	23	41	42	19	NEMA 6-20P
OHVU05000ROCC-F1-HL-T5	240/208	1	5/3.75	20.8/18	800	310	28	51	42	19	NEMA 6-30P

¹ Units come standard with hi-lo heat setting, fan only switch, integral thermostat and combination wall/ceiling/floor mounting bracket. Standard color is red and black.



OHV-RF Hard-Wired Unit Heater



Features

Color

- Standard: almond and black.

Finish

- Standard: epoxy/polyester powder paint.

Voltage

- 240/208V, 1 phase.

Construction

- Positive off, double-pole, single-throw thermostat.
- Fan on/auto switch.
- Two level finger-tip high/low heat selector switch.
- Automatic reset over temperature protector.
- Specially designed outlet diffuser provides maximum air velocity and prevents foreign objects from entering heater.
- 18 and 20 gauge steel.
- Motor - totally enclosed - thermally protected.
- Draw-through design permits greater heat transfer.

Installation

- Minimum mounting height of 6 ft. (1.8 m).
- Maximum mounting height of 10 ft. (3 m).
- Versatile bracket for ceiling or wall mounting.
- Adjustable bracket allows all angle rotation.
- Large and easily accessible wiring compartment.

Note: We recommend installing this product on an outside ceiling or wall to avoid vibrations spreading to an adjacent room.

Warranty

- 1-year warranty against defects.

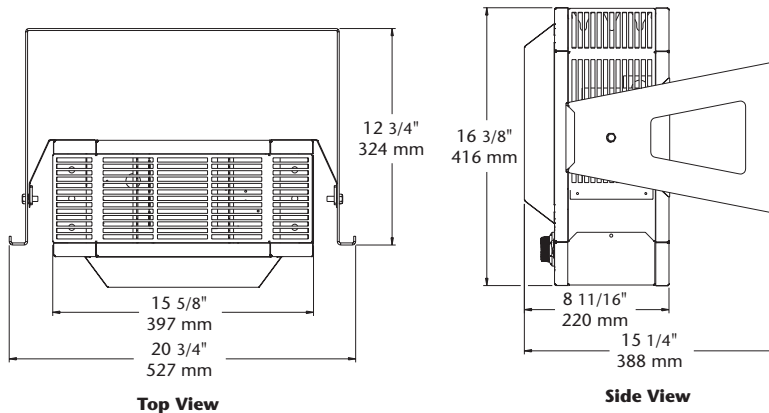
Application

- Factory, garage, school.

Model

Product # ¹	Volts	Phase	kW	Amp.	Air Flow		Temperature Rise		Weight	
					fpm	cfm	°C	°F	lb	kg
OHVU05000AMRF-F1-HL-T5	240/208	1	5/3.75	20.8/18	800	310	28	51	42	19

¹ Units come standard with hi-lo heat setting, fan only switch, integral thermostat and combination wall/ceiling mounting bracket. Standard color is almond and black.



OPH Plenum Rated Unit Heater



*Product shown contain options that are not included with standard product. Please refer to the options chart.



Industry first! Constant torque motor (ECM) available

Features

Color

- Standard: aluminum.

Finish

- Standard: epoxy/polyester powder paint.

Voltage

- 208V, 240V, 277V, 347V, 480V, 600V, 1 or 3-phase.

Construction

- 18 and 20-gauge steel.
- Adjustable louver for air flow direction available.
- Automatic reset and manual reset high-limit temperature control.
- One contactor per high-limit temperature control, on independent circuit.

Fan

- Direct drive, selectable speed squirrel-cage fan.
- Fan delay.

Motor

- Totally enclosed standard factory-lubricated motor.
- Thermally protected motor mounted in cold compartment.
- Constant torque motor (ECM), 1/3 HP max., 1050 rpm max., available

Heating element

- Three tubular heating elements with fins (for 3.1kW-5kW-7.5kW models).
- Six tubular heating elements with fins (for 10kW-12kW-15kW models).

Control

- Factory-installed contactor and 240/208V control circuit standard.*
- Factory-installed disconnect switch.
- 24V control circuit, with transformer available.*
- Built-in thermostat available.
- Optional 2-stage thermostat (for 10kW-12kW-15kW models).

Ouellet highly recommends to use a wall thermostat for greater comfort.

Any remote thermostat or relay must be connected to the heater control terminal block.

**Two stage heat with 2-stage thermostat available for 10kW to 15kW models.*

Installation

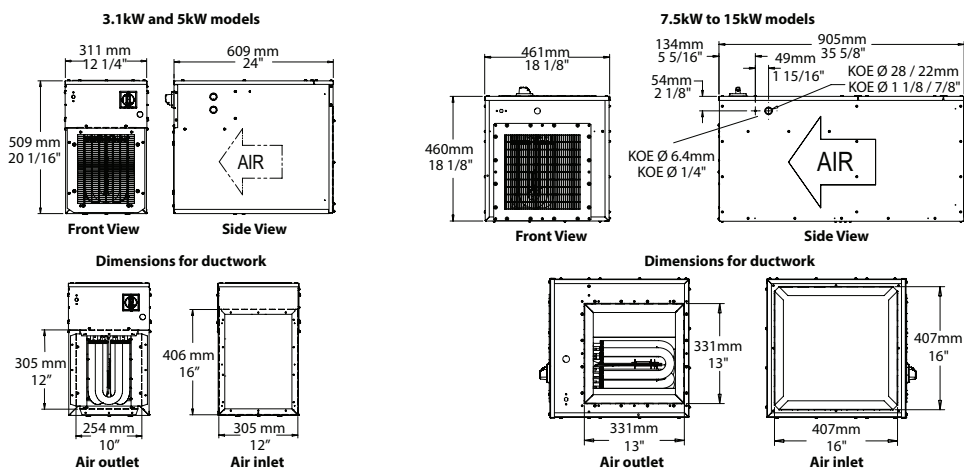
- Horizontal mounting with free air discharge or ducted installation.
- Vertical mounting in the upwards air flow position with ducted installation only (3.1kW and 5kW models only).
- 80 °F (27 °C) maximum operating ambient temperature.
- Zero clearance approved when installed in concealed space.

Warranty

- 3-year warranty against defects.

Application

- This heater is designed to be used in the space between a structural ceiling and a suspended ceiling, plenum space or plenum.
- Crawl space, commercial vestibule, office, commercial building, warehouse, stairwell, underground parking.



OPH

Models

Product #	Volts	Phase	kW (BTU/hr)	cfm min. ¹		Temperature Rise ²		Motor		Weight	
				Low Speed	High Speed	°C	°F	HP	rpm	lb	kg
OPH03108AL-DIS40	208	1	3.1 (10578)	430	460	12	22	1/3	1075	65	29.6
OPH03138AL-DIS40	208	3	3.1 (10578)	430	460	12	22	1/3	1075	65	29.6
OPH03100AL-DIS40	240	1	3.1 (10578)	430	460	12	22	1/3	1075	65	29.6
OPH03130AL-DIS40	240	3	3.1 (10578)	430	460	12	22	1/3	1075	65	29.6
OPH03177AL-DIS40	277	1	3.1 (10578)	430	460	12	22	1/3	1075	65	29.6
OPH03107AL-DIS40	347	1	3.1 (10578)	430	460	12	22	1/3	1075	77	35.0
OPH03104AL-DIS40	480	1	3.1 (10578)	430	460	12	22	1/3	1075	77	35.0
OPH03134AL-DIS40	480	3	3.1 (10578)	430	460	12	22	1/3	1075	77	35.0
OPH03106AL-DIS40	600	1	3.1 (10578)	430	460	12	22	1/3	1075	77	35.0
OPH03136AL-DIS40	600	3	3.1 (10578)	430	460	12	22	1/3	1075	77	35.0
OPH05008AL-DIS40	208	1	5 (17060)	430	460	21	37	1/3	1075	65	29.6
OPH05038AL-DIS40	208	3	5 (17060)	430	460	21	37	1/3	1075	65	29.6
OPH05000AL-DIS40	240	1	5 (17060)	430	460	21	37	1/3	1075	65	29.6
OPH05030AL-DIS40	240	3	5 (17060)	430	460	21	37	1/3	1075	65	29.6
OPH05077AL-DIS40	277	1	5 (17060)	430	460	21	37	1/3	1075	65	29.6
OPH05007AL-DIS40	347	1	5 (17060)	430	460	21	37	1/3	1075	77	35.0
OPH05004AL-DIS40	480	1	5 (17060)	430	460	21	37	1/3	1075	77	35.0
OPH05034AL-DIS40	480	3	5 (17060)	430	460	21	37	1/3	1075	77	35.0
OPH05006AL-DIS40	600	1	5 (17060)	430	460	21	37	1/3	1075	77	35.0
OPH05036AL-DIS40	600	3	5 (17060)	430	460	21	37	1/3	1075	77	35.0
OPH07508AL-DIS80	208	1	7.5 (25591)	1100	1200	14	25	1/3	1075	100	45.5
OPH07538AL-DIS40	208	3	7.5 (25591)	1100	1200	14	25	1/3	1075	100	45.5
OPH07500AL-DIS40	240	1	7.5 (25591)	1100	1200	14	25	1/3	1075	100	45.5
OPH07530AL-DIS40	240	3	7.5 (25591)	1100	1200	14	25	1/3	1075	100	45.5
OPH07577AL-DIS40	277	1	7.5 (25591)	1100	1200	14	25	1/3	1075	100	45.5
OPH07507AL-DIS40	347	1	7.5 (25591)	1100	1200	14	25	1/3	1075	100	45.5
OPH07504AL-DIS40	480	1	7.5 (25591)	1100	1200	14	25	1/3	1075	100	45.5
OPH07534AL-DIS40	480	3	7.5 (25591)	1100	1200	14	25	1/3	1075	100	45.5
OPH07506AL-DIS40	600	1	7.5 (25591)	1100	1200	14	25	1/3	1075	100	45.5
OPH07536AL-DIS40	600	3	7.5 (25591)	1100	1200	14	25	1/3	1075	100	45.5
OPH10038AL-DIS40	208	3	10 (34121)	1100	1200	18	32	1/3	1075	100	45.5
OPH10000AL-DIS80	240	1	10 (34121)	1100	1200	18	32	1/3	1075	100	45.5
OPH10030AL-DIS40	240	3	10 (34121)	1100	1200	18	32	1/3	1075	100	45.5
OPH10077AL-DIS80	277	1	10 (34121)	1100	1200	18	32	1/3	1075	100	45.5
OPH10007AL-DIS40	347	1	10 (34121)	1100	1200	18	32	1/3	1075	100	45.5
OPH10004AL-DIS40	480	1	10 (34121)	1100	1200	18	32	1/3	1075	100	45.5
OPH10034AL-DIS40	480	3	10 (34121)	1100	1200	18	32	1/3	1075	100	45.5
OPH10006AL-DIS40	600	1	10 (34121)	1100	1200	18	32	1/3	1075	100	45.5
OPH10036AL-DIS40	600	3	10 (34121)	1100	1200	18	32	1/3	1075	100	45.5
OPH12038AL-DIS80	208	3	12 (40945)	1100	1200	22	40	1/3	1075	100	45.5
OPH12030AL-DIS40	240	3	12 (40945)	1100	1200	22	40	1/3	1075	100	45.5
OPH12007AL-DIS80	347	1	12 (40945)	1100	1200	22	40	1/3	1075	100	45.5
OPH12004AL-DIS40	480	1	12 (40945)	1100	1200	22	40	1/3	1075	100	45.5
OPH12034AL-DIS40	480	3	12 (40945)	1100	1200	22	40	1/3	1075	100	45.5
OPH12006AL-DIS40	600	1	12 (40945)	1100	1200	22	40	1/3	1075	100	45.5
OPH12036AL-DIS40	600	3	12 (40945)	1100	1200	22	40	1/3	1075	100	45.5
OPH15038AL-DIS80	208	3	15 (51182)	1100	1200	27	49	1/3	1075	100	45.5
OPH15030AL-DIS80	240	3	15 (51182)	1100	1200	27	49	1/3	1075	100	45.5
OPH15004AL-DIS40	480	1	15 (51182)	1100	1200	27	49	1/3	1075	112	50.9
OPH15034AL-DIS40	480	3	15 (51182)	1100	1200	27	49	1/3	1075	112	50.9
OPH15006AL-DIS40	600	1	15 (51182)	1100	1200	27	49	1/3	1075	112	50.9
OPH15036AL-DIS40	600	3	15 (51182)	1100	1200	27	49	1/3	1075	112	50.9

Options

Product # Kit	Product # Factory installed*	Description
-	24	24V control circuit
-	OL	Power indicator light
-	ECM ³	Constant torque motor (ECM), 1/3 HP max., 1050 rpm max.
KIT-OPH-3-5KW-FI	FI	Pleated Air filter for 3-5kW models
KIT-OPH-3-5KW-FIW	FIW	Washable air filter for 3-5kW models
KIT-OPH-3-5KW-LR	LR	Louver kit for 3-5kW models
KIT-OPH-3-5KW-T	T	Built-in thermostat for 3-5kW models

Product # Kit	Product # Factory installed*	Description
KIT-OPH-7-15KW-FI	FI	Pleated Air filter for 7-15kW models
KIT-OPH-7-15KW-FIW	FIW	Washable air filter for 7-15kW models
KIT-OPH-7-15KW-LR	LR	Louver kit for 7-15kW models
KIT-OPH-7-15KW-T	T	Built-in thermostat for 7-15kW models
KIT-OPH-T2S	T2S	Built-in 2-stage thermostat for 10-15kW models only

* For factory installed options, add the option number to the product number. See the **Product Code** section inside the front cover.

¹ Tested at 0.2" water column (static pressure).

² Tested at low speed.

³ Built-in transformer and contactor for 24V are required, add « -24 » to the product number.
Standard color is aluminum.

OAS Commercial Industrial Suspended Unit Heater



Features

Color

- Standard: almond.

Finish

- Standard: epoxy/polyester powder paint.

Voltage

- 208V, 240V, 277V, 347V, 480V, 600V, 1 or 3-phase.
- Some units may be field converted from 3 to 1-phase.

Construction

- 18 and 20-gauge steel.
- Adjustable louvers to direct air flow.
- High-limit temperature control with automatic reset.

Fan

- Totally enclosed factory-lubricated ball bearing motor (except for 15 to 25kW at 208/240V).
- 58 dBA fan (2 to 10kW), 67 dBA fan (15 to 30kW) and 77 dBA fan (40 to 60kW).
- Thermally-protected motor mounted in cold compartment.
- Fan delay purges heater of residual heat.

Heating element

- Tubular heating elements; stainless steel (2 to 10kW); finned steel (15 to 60kW).
- Concentric disposition of heating elements.
- Factory sealed element upon request.

Control

- Factory-installed contactor and 240/208V control circuit standard (with transformer if necessary).

- 24V relay, with or without transformer available.
- 120V control circuit available.
- Built-in thermostat available.

Ouellet highly recommends to use a wall thermostat for greater comfort.

Any remote thermostat or relay must be connected to the heater control terminal block.

Installation

- Not for residential use in the United States.
- Horizontal mounting:
 - 2 to 30kW: wall or ceiling using the supplied brackets which allow 360 ° rotation.
 - 40 to 60kW: ceiling only secured by the supplied 4 hooks of suspension.
- Vertical mounting (except option -MD):
 - 2 to 60kW: using 4 threaded rods 1/2 in. X 13 UNC (not included).
 - Diffuser cones available.
- Maximum recommended height (horizontal): 2 to 10kW: 8 ft. (2.4 m), 15 to 30kW: 10 ft. (3 m), 40 to 60kW: 15 ft. (4.5 m).
- Protective screen allows minimum horizontal mounting height:
 - Canada 2 to 30 kW: 24 in. (610 mm), 40 to 60kW: 8 ft. (2.4 m).
 - United States 2 to 30 kW 6 ft. (1.8 m), 40 to 60kW: 8 ft. (2.4 m).
- 30 °C (85 °F) maximum operating ambient temperature.

Warranty

- 3-year warranty against defects.

Application

- Commercial hall, warehouse, stairwell, factory.

Product #	Volts	Phase	kW (BTU/Hr)	cfm	Temperature Rise		Motor	
					°C	°F	HP	rpm
OASU05000AM-T ²	240	1	5.0 (17060)	700	13	23	1/30	1550
OASU07500AM-T ²	240	1	7.5 (25590)	700	19	34	1/30	1550
OASU10000AM-T ²	240	1	10.0 (34120)	700	25	45	1/30	1550
OASU05034AM-T ²	480	3	5.0 (17060)	700	13	23	1/30	1550
OASU07534AM-T ²	480	3	7.5 (25590)	700	19	34	1/30	1550
OASU10034AM-T ²	480	3	10.0 (34120)	700	25	45	1/30	1550
OASU02008AM	208	1	2.0 (6824)	510	7	13	1/30	1550
OASU03008AM	208	1	3.0 (10236)	510	10	18	1/30	1550
OASU04008AM	208	1	4.0 (13648)	510	14	25	1/30	1550
OASU05008AM	208	1	5.0 (17060)	700	13	23	1/30	1550
OASU05038AM	208	3/1 ¹	5.0 (17060)	700	13	23	1/30	1550
OASU07538AM	208	3/1 ¹	7.5 (25590)	700	19	34	1/30	1550
OASU10008AM	208	1	10.0 (34120)	700	25	45	1/30	1550
OASU10038AM	208	3	10.0 (34120)	700	25	45	1/30	1550
OASU15038AM	208	3	15.0 (51180)	1300	20	36	1/8	1550
OASU20038AM	208	3	20.0 (68240)	1300	27	49	1/8	1550
OASU25038AM	208	3	25.0 (85300)	1300	34	61	1/8	1550
OASU02000AM	240	1	2.0 (6824)	510	7	13	1/30	1550
OASU03000AM	240	1	3.0 (10236)	510	10	18	1/30	1550
OASU04000AM	240	1	4.0 (13648)	510	14	25	1/30	1550
OASU05000AM	240	1	5.0 (17060)	700	13	23	1/30	1550
OASU05030AM	240	3/1 ¹	5.0 (17060)	700	13	23	1/30	1550
OASU07500AM	240	1	7.5 (25590)	700	19	34	1/30	1550
OASU07530AM	240	3/1 ¹	7.5 (25590)	700	19	34	1/30	1550
OASU10000AM	240	1	10.0 (34120)	700	25	45	1/30	1550
OASU10030AM	240	3/1 ¹	10.0 (34120)	700	25	45	1/30	1550
OASU15030AM	240	3	15.0 (51180)	1300	20	36	1/8	1550
OASU20030AM	240	3	20.0 (68240)	1300	27	49	1/8	1550
OASU25030AM	240	3	25.0 (85300)	1300	34	61	1/8	1550
OASU02077AM	277	1	2.0 (6824)	510	7	13	1/30	1550
OASU03077AM	277	1	3.0 (10236)	510	10	18	1/30	1550
OASU04077AM	277	1	4.0 (13648)	510	14	25	1/30	1550
OASU05077AM	277	1	5.0 (17060)	700	13	23	1/30	1550
OASU07577AM	277	1	7.5 (25590)	700	19	34	1/30	1550
OASU02034AM	480	3	2.0 (6824)	510	7	13	1/30	1550
OASU03034AM	480	3	3.0 (10236)	510	10	18	1/30	1550
OASU04034AM	480	3	4.0 (13648)	510	14	25	1/30	1550
OASU05034AM	480	3	5.0 (17060)	700	13	23	1/30	1550
OASU07534AM	480	3	7.5 (25590)	700	19	34	1/30	1550
OASU10034AM	480	3	10.0 (34120)	700	25	45	1/30	1550
OASU15034AM	480	3	15.0 (51180)	1400	19	34	1/3	1725
OASU20034AM	480	3	20.0 (68240)	1400	25	45	1/3	1725
OASU25034AM	480	3	25.0 (85300)	1400	31	56	1/3	1725
OASU30034AM	480	3	30.0 (102360)	1400	38	68	1/3	1725
OASU40034AM	480	3	40.0 (136480)	2000	35	63	3/4	1140
OASU50034AM	480	3	50.0 (170600)	2000	44	79	3/4	1140
OASU60034AM	480	3	60.0 (204720)	2000	53	95	3/4	1140

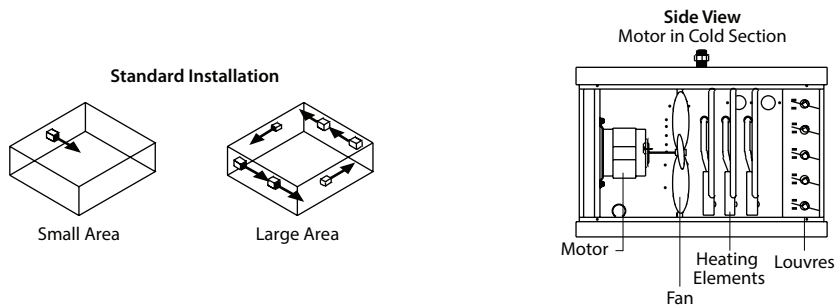
¹ Models with the indications "3/1" can be field converted from 3 to 1-phase.

² Come with built-in thermostat.

Standard color is almond.

Add-MD to suffix for special Mine Duty Feature. 600V available upon request. 240V, 3-phase and 480V, 1-phase available upon request.

Remember to change the 3 for 0 when ordering. E.g.: OASU05034 becomes OASU05004.



OAS

Options

Product # Kit	Product # Factory installed*	Description
-	120	120V control circuit
-	3P	Triple-pole contactor
KIT-OAS-CD1AM	-	Diffuser cone, 2 to 10kW units
KIT-OAS-CD2AM	-	Diffuser cone, 15 to 30kW units
KIT-OAS-CD3AM	-	Diffuser cone, 40 to 60kW units
-	CV	Summer fan switch
-	DIS40 ³	Disconnect switch, 40A
-	DIS80 ³	Disconnect switch, 80A
-	DIS100 ³	Disconnect switch, 100A
-	ES ¹	Factory sealed element
-	FANAM	Fan blades with almond epoxy/polyester coating
-	MD ²	Mine duty
-	MR	High-limit temperature control with manual reset
KIT-OAS-R	R	24V relay, without transformer
-	RCV240	Summer fan relay 240V, remote control (switch not included)
KIT-OAS-RT	RT	24V relay, with transformer
-	SCCR1 ⁴	Fuse protected circuits for 100kA rated short circuit current (see available SCCR Options Chart)
-	SCCR2 ⁴	Fuse protected circuits for 100kA rated short circuit current (see available SCCR Options Chart)
-	SCCR3 ⁴	Fuse protected circuits for 100kA rated short circuit current (see available SCCR Options Chart)
KIT-OAS-T	T	Thermostat

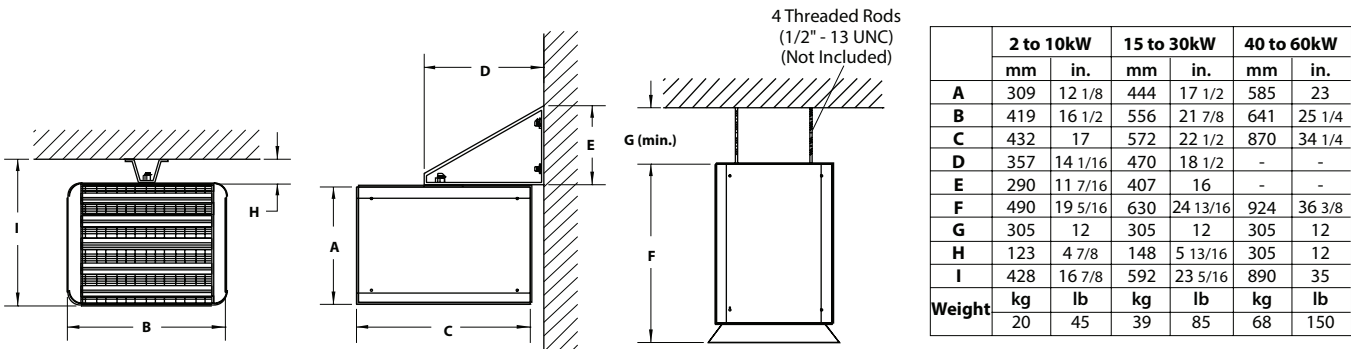
* For factory installed options, add the option number to the product number. See the **Product Code** section inside the front cover.

¹ The option "sealed element" increases the reliability of these in humid environments. It does not completely eliminate the leakage currents of metal sheathed heating elements.

² See features on the OAS-MD catalog page.

³ For the U.S. only; The nominal current of the unit must not exceed 80% of the capacity of the disconnect.

⁴ The disconnect switch option cannot be used with the SCCR option.



SCCR Options Chart

	208V	208V/3ph	208V/3ph Convertible 3/1ph	240V	240V/3ph	240V/3ph Convertible 3/1ph	277V	347V	480V	480V/3ph	600V	600/3ph
2kW	SCCR1	SCCR1		SCCR1	SCCR1		SCCR1	SCCR1	SCCR1	SCCR1	SCCR1	SCCR1
3kW	SCCR1	SCCR1		SCCR1	SCCR1		SCCR1	SCCR1	SCCR1	SCCR1	SCCR1	SCCR1
4kW	SCCR1	SCCR1		SCCR1	SCCR1		SCCR1	SCCR1	SCCR1	SCCR1	SCCR1	SCCR1
5kW	SCCR1		SCCR1	SCCR1		SCCR1	SCCR1	SCCR1	SCCR1	SCCR1	SCCR1	SCCR1
7.5kW	SCCR2		SCCR3	SCCR2		SCCR3	SCCR2	SCCR1	SCCR1	SCCR1	SCCR1	SCCR1
10kW	SCCR2	SCCR3		SCCR2		See note ¹	SCCR2	SCCR1	SCCR2	SCCR1	SCCR1	SCCR1
15kW	SCCR2	SCCR3		SCCR2	SCCR3				See note ¹	SCCR1	SCCR2	SCCR1
20kW	SCCR2	SCCR3		SCCR2	SCCR3				See note ¹	SCCR1	SCCR2	SCCR1
25kW	SCCR2	SCCR3		SCCR2	SCCR3					SCCR3	See note ¹	SCCR1
30kW										SCCR3		SCCR3
40kW										See note ¹		See note ¹
50kW										See note ¹		See note ¹
60kW										See note ¹		See note ¹

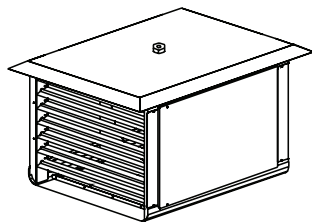
¹ Factory Installed SCCR Option is not available for these models. It requires the installation of an external fused Safety Switch (Not supplied by Ouellet).

OAS-MD Mine Duty Option

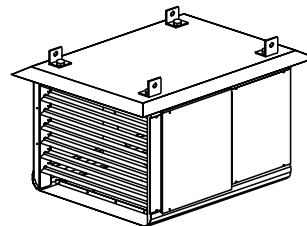


MD Features of Mine Duty Option

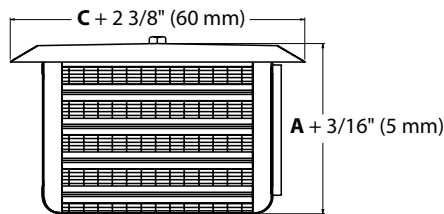
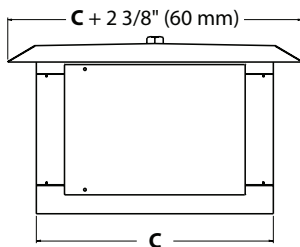
- Drip shield.
- Sealed wiring compartment.
- Hinged door with neoprene gasket.
- Element delay on ON cycle (fan delay on OFF cycle).
- Heavy duty 18-gauge grille.
- Double-pole contactor.
- Heating element can be factory sealed upon request to minimize moisture absorption (option -ES).



2 to 30kW

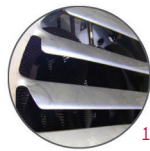


40 to 60kW



	2 to 10kW		15 to 30kW		40 to 60kW	
	mm	in.	mm	in.	mm	in.
A	305	12	444	17 1/2	585	23
C	432	17	572	22 1/2	870	34 1/4

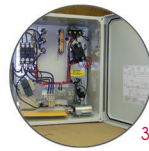
OWD Wash Down Unit Heater



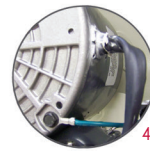
1



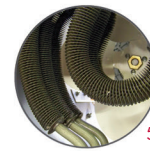
2



3



4



5

Features

Voltage

- 208V, 240V, 277V, 480V, 600V, 1 or 3-phase.

Construction

- 16-gauge, 304 stainless steel, moisture and corrosion resistant housing.*
- Adjustable, stainless steel outlet louvers. 1
- Stainless steel rear grille to protect against accidental contact with the fan blade. 2
- High-limit temperature control with automatic reset (manual reset available upon request).
- NEMA 4X non-metallic electrical enclosure. 3
- Pilot light (power-on indicator) available.
- Optional disconnect switch with lockable handle available.

Fan

- Anodized aluminum, delayed-action fan.
- Enclosed epoxy coated motor with permanently lubricated ball bearing for longer life. 4
- Epoxy-painted fan.
- Designed to resist moisture and corrosion.

*Caution: Some environments can be corrosive for this type of stainless steel. Please check the application prior to installation.

Heating element

- Sealed tubular heating element with 316* stainless steel fins. 5

Control

- 24V control circuit with transformer and contactor.
- Built-in capillary thermostat available.
- Fan switch control available.

Installation

- Electrical enclosure located at bottom of unit for ease of installation and servicing.
- Stainless steel swivel mounting bracket included, for wall or ceiling mounting.

Warranty

- 1-year warranty against defects.

Application

- Food industry, marine and offshore, car wash, dairy.

OWD Models

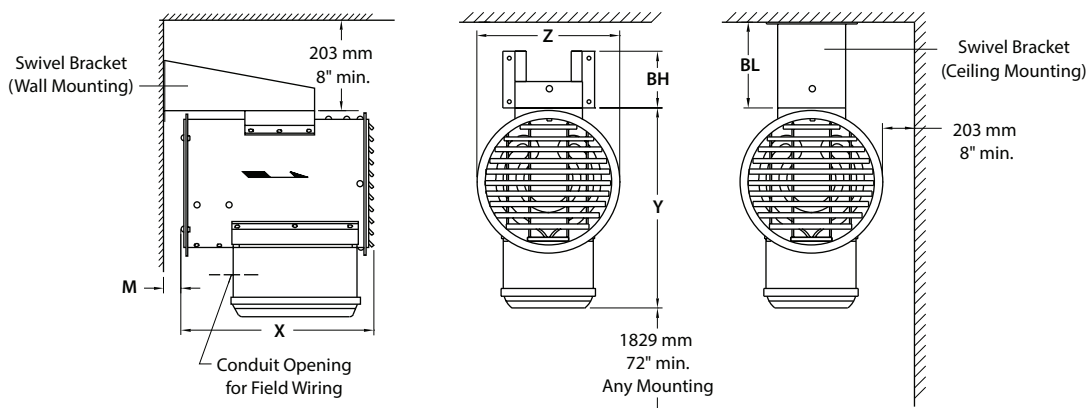
kW	BTU/Hr	Product #					cfm	Temperature Rise		Air Throw	
		208V (1 ph)	208V (3 ph)	240V (1 ph)	240V (3 ph)	480V (3 ph)		°C	°F	ft.	m
3.0	10236	OWD03008	OWD03038	OWD03000	OWD03030	OWD03034	700	8	14	26	8
5.0	17060	OWD05008	OWD05038	OWD05000	OWD05030	OWD05034	700	13	24	26	8
7.5	25590	OWD07508	OWD07538	OWD07500	OWD07530	OWD07534	700	19	35	26	8
9.0	30708	OWD09008	OWD09038	OWD09000	OWD09030	OWD09034	1450	11	20	43	13
10.0	34120	-	OWD10038	OWD10000	OWD10030	OWD10034	1450	12	22	43	13
12.0	40944	-	OWD12038	-	OWD12030	OWD12034	1450	14	26	43	13
12.5	42650	-	OWD12538	-	OWD12530	OWD12534	2400	9	17	50	15
15.0	51180	-	OWD15038	-	OWD15030	OWD15034	2400	12	21	50	15
20.0	68240	-	-	-	-	OWD20034	2400	16	28	50	15
25.0	85300	-	-	-	-	OWD25034	2400	19	35	50	15
30.0	102360	-	-	-	-	OWD30034	2400	23	42	50	15
35.0	119420	-	-	-	-	OWD35034	2400	27	48	50	15
38.4	131020	-	-	-	-	OWD38434	2400	30	54	50	15

Options

Product # Kit	Product # Factory installed [*]	Description
-	120	120V control circuit
-	EP	Epoxy paint finish for better corrosion resistance in certain environments
-	I ¹	Disconnect switch with lockable handle available
-	L	Pilot light "power-on indicator"
-	ME1	Monel elements, for 3 to 20kW units for better corrosion resistance in certain environments
-	ME2	Monel elements, for 25 to 38.4kW units for better corrosion resistance in certain environments
-	PTM	High-limit temperature control with manual reset
-	S	Three-position switch: On/Standby/Fan
-	T	Thermostat
-	T2S	2-stage thermostat
OWD-TM	-	NEMA 4X wall thermostat, range 4 °C to 43 °C (40 °F to 110 °F): 25A at 120V, 208V, 240V - 22A at 277V (Compatible with 24VAC control circuit)

^{*} For factory installed options, add the option number to the product number. See the **Product Code** section inside the front cover.

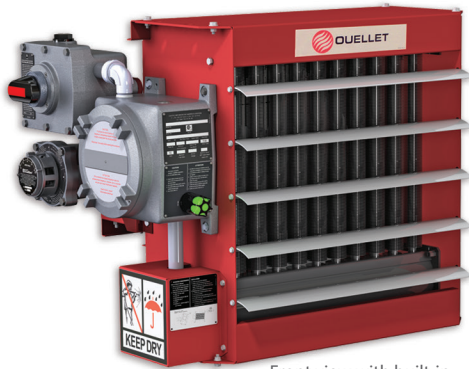
¹ For the U.S. only: The nominal current of the unit must not exceed 80% of the capacity of the disconnect. 277V available upon request.



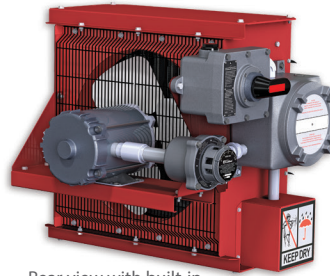
Models	X		Y		Z		BH		BL		M		Weight ¹	
	mm	in.	mm	in.	mm	in.	mm	in.	mm	in.	mm	in.	lb	kg
3 to 7.5kW	390	15 1/2	550	21 1/2	330	13	110	4 1/4	490	19 1/8	220	8 1/2	70	32
7.6 to 12kW	390	15 1/2	550	21 1/2	330	13	110	4 1/4	490	19 1/8	220	8 1/2	70	32
12.1 to 47kW	660	26	710	28	510	20	180	7 1/8	570	22 1/4	80	3 1/4	130	60

¹ Shipping weight.

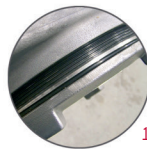
OHX Explosion-Proof Unit Heater



Front view with built-in thermostat and disconnect switch



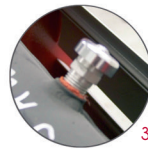
Rear view with built-in thermostat and disconnect switch



1



2



3



4



5

Features

Color

- Standard: red.

Finish

- Standard: epoxy/polyester powder paint.

Voltage

- 208V, 240V, 480V, 600V, 1 or 3-phase.

Construction

- 14-gauge steel cabinet.
- Adjustable anodized aluminum louvers.
- Cast aluminum control and element enclosure lids NEMA Type 7 and 9 with O-ring. **1**
- Fan Guard: multiple horizontal stiffening wires. **2**

Protection

- Stainless steel high temperature pressure relief device. **3**
- Two high-limit temperature controls: one with automatic reset and one with manual reset.

Fan

- Explosion-proof, thermally protected, permanently lubricated ball bearing motor. **4**
- 3 to 20kW: 1/4 HP, 1725 rpm.
- 25 to 35kW: 1/2 HP, 1725 rpm.

Temperature code

- Division System: 5 to 30kW = T3B 165 °C (329 °F), 3kW/35kW = T3A 180 °C (356 °F).
- Zone System T3 200 °C (392 °F).

Heat exchanger

- High grade metal-sheathed elements fins with ethylene glycol/water solution.
- Long-life, low watt density.
- Evacuated and sealed, carbon steel tube core with 10 aluminum fins per inch.

Control

- 120VAC control (standard). **5**
- Optional 24VAC control (recommended due to safer voltage). Required for use with electronic thermostat.
- Optional built-in or wall thermostat (bi-metal or electronic).
- Optional built-in or wall disconnect switch.

Additional Options

- Pilot light.
- Continuous fan.
- Heresite coatings.

Installation

- Accessories available.

Warranty

- 3-year warranty against defects.

Application

- Paint storage area, petrochemical plant, refinery, chemical plant, mining industry, sawmill.

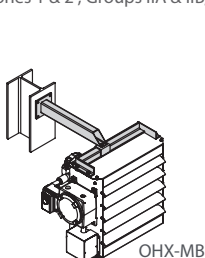
Consult the Electrical Code in your area before installing this unit.

Approved locations

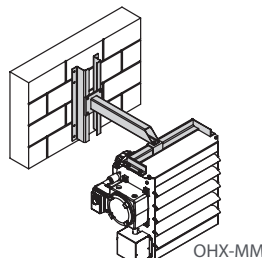
Class I, Divisions 1 and 2, Groups C and D.
 Class II, Divisions 1 and 2, Groups F and G.
 Temperature code: T3B (5 to 30kW), T3A (3/35kW).
 Class I, Zones 1 & 2, Groups IIA & IIB, T3.

Temperature limitations

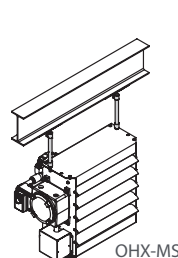
Ambient temperature: -40 °C to 40 °C (-40 °F to 104 °F).
 Maximum altitude: 3048 m (10 000 ft.) above sea level.



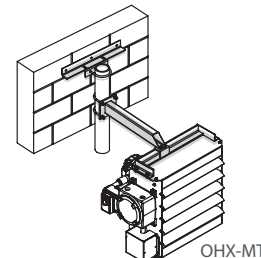
OHX-MB



OHX-MM



OHX-MS



OHX-MT

Models

kW	BTU/Hr	Product #					cfm	T ° Rise		T ° Code ¹	Weight ²	
		208V (1 ph)	208V (3 ph)	240V (1 ph)	240V (3 ph)	480V (3 ph)		°C	°F		lb	kg
3.0	10236	OHX03008	OHX03038	OHX03000	OHX03030	OHX03034	350	18.0	32.2	T3A	188	85.3
5.0	17060	OHX05008	OHX05038	OHX05000	OHX05030	OHX05034	400	21.2	38.1	T3B	188	85.3
7.5	25590	OHX07508	OHX07538	OHX07500	OHX07530	OHX07534	600	22.4	40.4	T3B	188	85.3
10.0	34120	-	OHX10038	OHX10000	OHX10030	OHX10034	800	21.6	38.8	T3B	192	87.1
15.0	51180	-	OHX15038	-	OHX15030	OHX15034	1200	21.7	39.1	T3B	224	101.6
20.0	68240	-	-	-	-	OHX20034	1700	20.7	37.3	T3B	224	101.6
25.0	85300	-	-	-	-	OHX25034	2100	20.8	37.5	T3B	261	118.4
30.0	102360	-	-	-	-	OHX30034	3000	17.5	31.5	T3B	261	118.4
35.0	119420	-	-	-	-	OHX35034	3000	20.4	36.7	T3A	261	118.4

Options

Product # Kit	Product # Factory installed [*]		Description
	Ouellet	Reference	
-	24	B	Transformer and contactor for 24VAC (required for use with built-in or wall mount electronic thermostat)
-	DIS	D	Built-in disconnect switch
-	T1	-	Explosion-proof built-in bi-metal thermostat, range 5 °C (40 °F) to 25 °C (80 °F)
-	T2 ³	-	Explosion-proof, electronic thermostat (low voltage), 5 °C (40 °F) to 25 °C (80 °F) (suitable for 24 volt control circuit only)
-	L	P	Pilot light "heat on"
-	FC	F	Continuous fan operation
OUE-BTX2-15A-W-N-A	-	-	Explosion-proof, wall mount bi-metal thermostat, 5 °C (40 °F) to 25 °C (80 °F) (suitable for 24VAC or 120VAC control circuit)
OUE-XET1-1-W-N-A ³	-	-	Explosion-proof, electronic wall mount thermostat (low voltage), 5 °C (40 °F) to 25 °C (80 °F), (suitable for 24 volt control circuit only)
OUE-BLK1-W-N-A	-	-	Thermostat conversion kit allowing interchangeability from built-in thermostat to wall mount configuration
OUE-XDC-01	-	-	Explosion-proof wall mount disconnect switch, 600V, 50A max
OHX-MS	-	-	Hanging mounting bracket, all models. Ideal and economical if adequate overhead structure exists. Requires 1/2 in. (12.5 mm) pipe, cut and threaded (min. Sch. 40) not supplied.
OHX-MBX ⁴	-	-	Basic mounting bracket. Can be bolted or welded directly to structural steel or concrete.
OHX-MMX ⁴	-	-	Wall mounting bracket. Use in buildings that have substantial walls. The Z sections provide additional support where necessary.
OHX-MTX ⁴	-	-	Pipe mounting bracket. For buildings with insufficient strength to use other types of mounting brackets. Requires 3 in. (75 mm) pipe (3 1/2 in. [87.5 mm] O.D., min. Sch. 40) not supplied.
-	HCCX ^{4,5}	H1	Heresite P-413 baked phenolic coating of heat exchanger core only
-	HC BX ^{4,5}	H2	Heresite P-413 baked phenolic coating of louvers, fan blade, fan guard & cabinet parts
-	HCUX ^{4,5}	H3	Heresite P-413 baked phenolic coating of heat exchanger core, louvers, fan blade, fan guard & cabinet parts

^{*} For factory installed options, add the option number to the product number. See the **Product Code** section inside the front cover.

¹ Temperature code: T3B = 165 °C (329 °F), T3A = 180 °C (356 °F).

² Shipping weight.

³ Built-in transformer and contactor for 24VAC are required, add « -24 » to the product number.

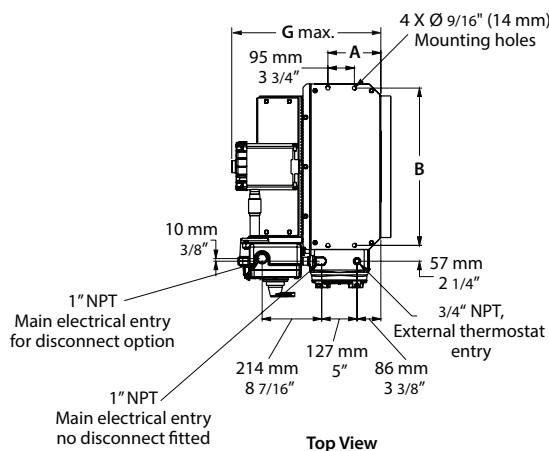
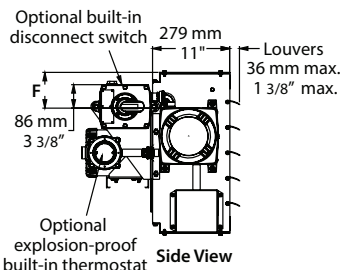
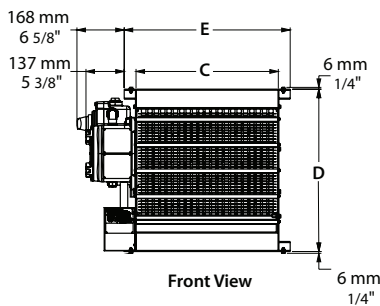
⁴ X = 1 (3 to 10kW units), 2 (15 to 20kW units), 3 (25 to 35kW units).

⁵ We do not Heresite coat the explosion-proof motor, control enclosure, aluminium conduit or any options such as disconnect or integral thermostat.

Allow additional 4 to 6 weeks lead time.

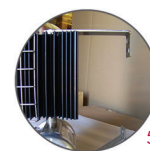
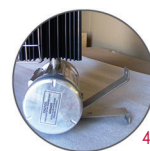
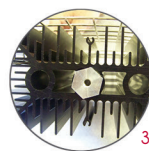
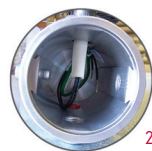
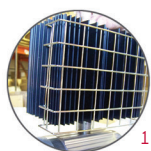
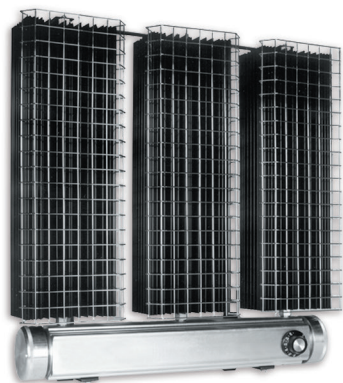
Standard color is red.

ATEX, IECEx and UKEX approved models available upon request, please contact our customer service.



Models	3 to 10kW	15 to 20kW	25 to 35kW
Fan	12" 305 mm	16" 406.4 mm	20" 508 mm
Dim.	in. (mm)	in. (mm)	in. (mm)
A	7.5 (191)	7.5 (191)	7.5 (191)
B	18.2 (462)	22.3 (566)	26.3 (668)
C	16.3 (414)	20.3 (516)	24.3 (617)
D	19.0 (483)	23.0 (584)	27.0 (686)
E	19.5 (495)	23.5 (597)	27.5 (699)
F	3.1 (79)	5.1 (130)	7.1 (180)
G	22.3 (566)	22.3 (566)	23.3 (592)

XB Explosion-Proof Convection Heater



Features

Voltage

- 120V, 208V, 240V, 480V, 600V, 1-phase.

Construction

- Unique design.
- Efficient aluminum convector.
- Standard protective grille. **1**
- Low temperature convection.
- Sealed junction box. **2**

Heating element

- Tubular heating element inserted in an aluminum heat sink. **3**

Watt density

- Varies according to temperature code.

Control

- Built-in thermostat available.

Installation

- Built-in wall support. **4, 5**

Warranty

- 1-year warranty against defects.

Application

- Refinery, chemical storage, mining industry.

Maximum room temperature: 25 °C (77 °F).

Consult the Electrical Code in your area before installing this unit.

Models

Watts	Volts	Product #	Temperature Code ²	Type	L		M		Weight	
					in.	mm	in.	mm	lb	kg
Class I, Division 1, Groups A, B, C and D										
475	120	XB1-1047T2D11	T2D	1	10	254	7 5/16	184	10.0	4.5
1000	120	XB1-4100T2D11	T2D	1	23 7/16	594	7 5/16	184	20.0	9.1
1500	120	XB2-3150T2D11	T2D	2	16 3/4	424	16 1/8	410	30.0	13.6
1000	208	XB1-4100T2D21	T2D	1	23 7/16	594	7 5/16	184	20.0	9.1
1500	208 ¹	XB2-3150T2D21	T2D	2	16 3/4	424	16 1/8	410	30.0	13.6
2000	208 ¹	XB2-4200T2D21	T2D	2	23 7/16	594	16 1/8	410	40.0	18.1
3000	208 ¹	XB3-4300T2D21	T2D	3	23 7/16	594	25	635	60.0	27.2
4500	208 ¹	XB4-6450T2D21	T2D	4	30 1/8	765	33 15/16	860	100.0	45.4
1000	240	XB1-4100T2D31	T2D	1	23 7/16	594	7 5/16	184	20.0	9.1
1500	240 ¹	XB2-3150T2D31	T2D	2	16 3/4	424	16 1/8	410	30.0	13.6
2000	240 ¹	XB2-4200T2D31	T2D	2	23 7/16	594	16 1/8	410	40.0	18.1
3000	240 ¹	XB3-4300T2D31	T2D	3	23 7/16	594	25	635	60.0	27.2
4500	240 ¹	XB4-6450T2D31	T2D	4	30 1/8	765	33 15/16	860	100.0	45.4
1000	480	XB1-4100T2D71	T2D	1	17 3/4	451	7 5/16	184	20.0	9.1
2000	480 ¹	XB2-4200T2D71	T2D	2	17 3/4	451	16 1/8	410	40.0	18.1
3000	480 ¹	XB3-4300T2D71	T2D	3	17 3/4	451	25	635	60.0	27.2
4500	480 ¹	XB4-6450T2D71	T2D	4	30 1/8	765	33 15/16	860	100.0	45.4
Class I, Divisions 1 and 2, Groups A, B, C and D										
Class II, Divisions 1 and 2, Groups E, F and G - Class III, Division 1										
2250	120	XB3-6225T3B11	T3B	3	30 1/8	765	25	635	75.0	34.0
2250	208 ¹	XB3-6225T3B21	T3B	3	30 1/8	765	25	635	75.0	34.0
2250	240 ¹	XB3-6225T3B31	T3B	3	30 1/8	765	25	635	75.0	34.0
2250	480 ¹	XB3-6225T3B71	T3B	3	30 1/8	765	25	635	75.0	34.0

Options

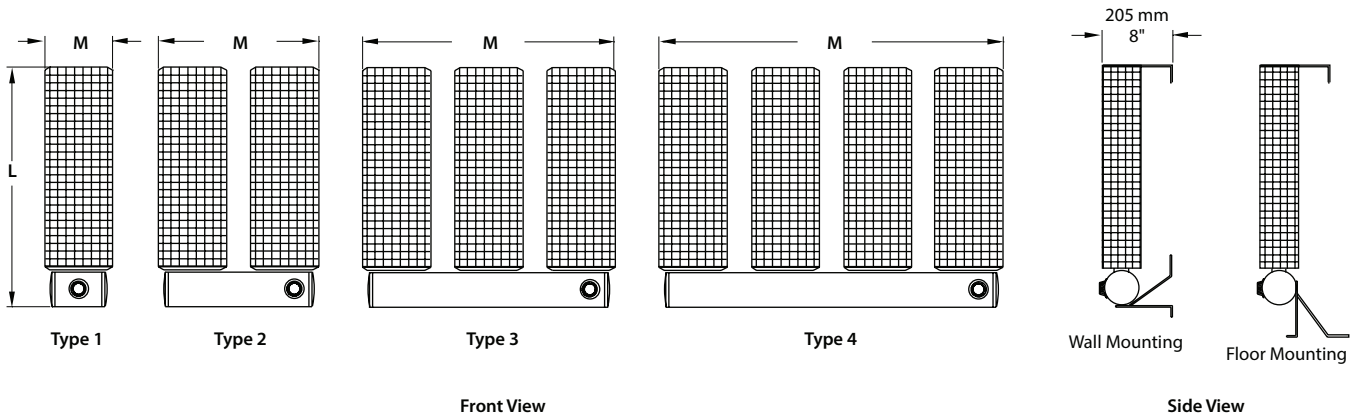
Product # Kit	Product # Factory installed*	Description
-	T	Single-pole thermostat for single phase units only
-	T2	Double-pole thermostat
XB-TM	-	Explosion-proof wall thermostat, range -18 °C to 40 °C (0 °F to 100 °F): 15A at 600V, 25A at 277V
XB-TM2	-	Double-pole explosion-proof wall thermostat, range -18 °C to 40 °C (0 °F to 100 °F): 15A at 600V, 25A at 277

* For factory installed options, add the option number to the product number. See the **Product Code** section inside the front cover.

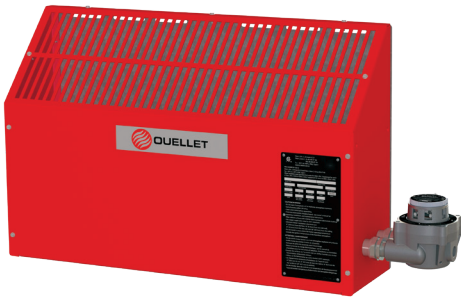
¹ 3-phase models available upon request. If built-in thermostat is required, use the T2 or the XB-TM2 with 3-phase units.

² Temperature code: T2D = 215 °C (419 °F), T3B = 165 °C (329 °F).

For any other ratings and risk areas, contact our customer service.



OPXA Explosion-Proof Sloped Top Convector Heater



Features

Color

- Standard: red.

Voltage

- 120V, 208V, 240V, 277V, 347V, 480V, 600V, 1 or 3-phase.

Construction

- Sloped top. 14-gauge galvanized steel back panel. 14-gauge carbon steel front and side panels with epoxy/polyester powder-coating.

Heating element

- Low temperature convection.
- Linear high-limit temperature control with automatic reset.
- Sealed junction box.
- Incoloy® 800 tubular heating element with radial-embossed aluminum fins.

Watt density

- Varies according to temperature code.

Standards

- CSA C22.2 No.30, No. 60079-0, No.60079-1, No.46, No. 60529, No. 94.2.
- ANSI/UL 823, 60079-0, 60079-1.
- ANSI/IEC 60529.
- UL 50E.

Classification

- North American Hazardous Location:
- Class I, Division 1 and 2, Groups B, C and D (T2B or T3A).

- Class I, Zone 1 and 2, Ex db, Groups IIA, IIB+H2, Gb
- Class I, Zone 1 and 2, AEx db, Groups IIA, IIB+H2, Gb
- Ta = -50 °C to +40 °C, IP66, Type 4, (T2 ou T3).

Temperature code

- Division System – T2B 260 °C (500 °F) or T3A 180 °C (356 °F).
- Zone System – T2 300 °C (572 °F) or T3 200 °C (392 °F).

Ingress protection

- IP66 and Type 4.

Control

- Built-in thermostat or wall thermostat available.

Installation

- Built-in wall bracket.
- Minimum mounting distances of 8 in. (20 cm) above the floor and 18 in. (45 cm) from the ceiling.

Warranty

- 1-year warranty against defects.

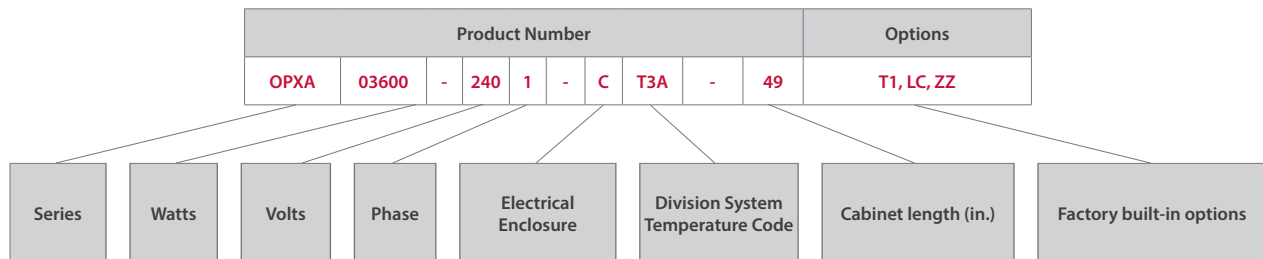
Application

- Paint room, chemical storage, petrochemical plant, oil refinery, dry cleaning plant, mining industry.

Consult the Electrical Code in your area before installing this unit

Codification example

Required sequence when ordering



			Electrical Enclosure Code: A (120VAC), B (24VAC), C (Line voltage) according to thermostat option					
Product # ¹ To order, replace the "-X" with the electrical enclosure code A or B or C			Built-in bi-metal thermostat T1	Wall mount bi-metal thermostat OUE-BTX1-N-B	Wall mount elec- tronic thermostat OUE-XET1-1-W- N-A	Your own control device	Cabinet length in.	
kW	Volts (ph)	Amp.						
T2B (260 °C / 500 °F) Division System Temperature Classification Rating								
T2 (300 °C / 572 °F) Zone System Temperature Classification Rating								
3.6	208 (1)	17.3	OPXA03600-2081-XT2B-31	C	A or B or C	B	A or B or C	31
3.6	208 (3)	10.0	OPXA03600-2083-XT2B-31	Not available	A or B	B	A or B or C	31
3.6	240 (1)	15.0	OPXA03600-2401-XT2B-31	C	A or B or C	B	A or B or C	31
3.6	240 (3)	8.7	OPXA03600-2403-XT2B-31	Not available	A or B	B	A or B or C	31
3.6	277 (1)	13.0	OPXA03600-2771-XT2B-31	C	A or B or C	B	A or B or C	31
3.6	480 (1)	7.5	OPXA03600-4801-XT2B-31	C	A or B or C	B	A or B or C	31
3.6	480 (3)	4.3	OPXA03600-4803-XT2B-31	Not available	A or B	B	A or B or C	31
4.8	208 (1)	23.1	OPXA04800-2081-XT2B-49	Not available	A or B	B	A or B or C	49
4.8	208 (3)	13.3	OPXA04800-2083-XT2B-49	Not available	A or B	B	A or B or C	49
4.8	240 (1)	20.0	OPXA04800-2401-XT2B-49	C	A or B or C	B	A or B or C	49
4.8	240 (3)	11.5	OPXA04800-2403-XT2B-49	Not available	A or B	B	A or B or C	49
4.8	277 (1)	17.3	OPXA04800-2771-XT2B-49	C	A or B or C	B	A or B or C	49
4.8	480 (1)	10.0	OPXA04800-4801-XT2B-49	C	A or B or C	B	A or B or C	49
4.8	480 (3)	5.8	OPXA04800-4803-XT2B-49	Not available	A or B	B	A or B or C	49
7.6	208 (1)	36.5	OPXA07600-2081-XT2B-59	Not available	A or B	B	A or B or C	59
7.6	208 (3)	21.1	OPXA07600-2083-XT2B-59	Not available	A or B	B	A or B or C	59
7.6	240 (1)	31.7	OPXA07600-2401-XT2B-59	Not available	A or B	B	A or B or C	59
7.6	240 (3)	18.3	OPXA07600-2403-XT2B-59	Not available	A or B	B	A or B or C	59
7.6	277 (1)	27.4	OPXA07600-2771-XT2B-59	Not available	A or B	B	A or B or C	59
7.6	480 (1)	15.8	OPXA07600-4801-XT2B-59	C	A or B or C	B	A or B or C	59
7.6	480 (3)	9.1	OPXA07600-4803-XT2B-59	Not available	A or B	B	A or B or C	59
10	208 (3)	27.8	OPXA10000-2083-XT2B-71 ²	Not available	Not available	Not available	C	71
10	240 (3)	24.1	OPXA10000-2403-XT2B-71 ²	Not available	Not available	Not available	C	71
10	480 (1)	20.8	OPXA10000-4801-XT2B-59 ²	C	Not available	Not available	C	71
10	480 (3)	12.0	OPXA10000-4803-XT2B-59 ²	Not available	Not available	Not available	C	71
T3A (180 °C / 356 °F) Division System Temperature Classification Rating								
T3 (200 °C / 392 °F) Zone System Temperature Classification Rating								
1.2	120 (1)	10.0	OPXA01200-1201-XT3A-31	C	C	Not available	C	31
1.2	208 (1)	5.8	OPXA01200-2081-XT3A-31	C	A or B or C	B	A or B or C	31
1.2	208 (3)	3.3	OPXA01200-2083-XT3A-31	Not available	A or B	B	A or B or C	31
1.2	240 (1)	5.0	OPXA01200-2401-XT3A-31	C	A or B or C	B	A or B or C	31
1.2	240 (3)	2.9	OPXA01200-2403-XT3A-31	Not available	A or B	B	A or B or C	31
1.2	277 (1)	4.3	OPXA01200-2771-XT3A-31	C	A or B or C	B	A or B or C	31
1.2	480 (1)	2.5	OPXA01200-4801-XT3A-31	C	A or B or C	B	A or B or C	31
1.8	120 (1)	15.0	OPXA01800-1201-XT3A-31	C	C	Not available	C	31
1.8	208 (1)	8.7	OPXA01800-2081-XT3A-31	C	A or B or C	B	A or B or C	31
1.8	208 (3)	5.0	OPXA01800-2083-XT3A-31	Not available	A or B	B	A or B or C	31
1.8	240 (1)	7.5	OPXA01800-2401-XT3A-31	C	A or B or C	B	A or B or C	31
1.8	240 (3)	4.3	OPXA01800-2403-XT3A-31	Not available	A or B	B	A or B or C	31
1.8	277 (1)	6.5	OPXA01800-2771-XT3A-31	C	A or B or C	B	A or B or C	31
1.8	480 (1)	3.8	OPXA01800-4801-XT3A-31	C	A or B or C	B	A or B or C	31
1.8	480 (3)	2.2	OPXA01800-4803-XT3A-31	Not available	A or B	B	A or B or C	31
3.6	208 (1)	17.3	OPXA03600-2081-XT3A-49	C	A or B or C	B	A or B or C	49
3.6	208 (3)	10.0	OPXA03600-2083-XT3A-49	Not available	A or B	B	A or B or C	49
3.6	240 (1)	15.0	OPXA03600-2401-XT3A-49	C	A or B or C	B	A or B or C	49
3.6	240 (3)	8.7	OPXA03600-2403-XT3A-49	Not available	A or B	B	A or B or C	49
3.6	480 (1)	7.5	OPXA03600-4801-XT3A-49	C	A or B or C	B	A or B or C	49
3.6	480 (3)	4.3	OPXA03600-4803-XT3A-49	Not available	A or B	B	A or B or C	49
5	208 (1)	24.0	OPXA05000-2081-XT3A-71	Not available	A or B	B	A or B or C	71
5	208 (3)	13.9	OPXA05000-2083-XT3A-71	Not available	A or B	B	A or B or C	71
5	240 (1)	20.8	OPXA05000-2401-XT3A-71	C	A or B or C	B	A or B or C	71
5	240 (3)	12.0	OPXA05000-2403-XT3A-71	Not available	A or B	B	A or B or C	71
5	480 (1)	10.4	OPXA05000-4801-XT3A-71	C	A or B or C	B	A or B or C	71
5	480 (3)	6.0	OPXA05000-4803-XT3A-71	Not available	A or B	B	A or B or C	71

¹ X = A (120VAC, large electrical enclosure), B (24VAC, large electrical enclosure), C (Line voltage, small electrical enclosure [Y junction box]).
 Large electrical enclosure A and B include a contactor, transformer, and printed circuit board with fuses.
 If using your own temperature control device, a remote contactor may be required. Customers can also supply their own remote mount control circuit/enclosure.
 Ensure control devices comply to local electrical code and meets the heater's electrical ratings and is suitable for the area's hazardous atmosphere classification.
² All 10 kW heaters include a 1/4" (6.35 mm) diameter 304 stainless steel safety guard pre-installed over the outlet grills.
 Supply voltage must be within +/- 10% of rated heater voltage. Actual output (kW) = [(Line voltage)² ÷ (Rated voltage)²] x Rated unit wattage (kW).
 For best heat distribution and comfort, a wall mount thermostat is recommended.
 Note: BTX1 and XET1 thermostats are not designed to switch three-phase heaters directly. A factory built-in electrical enclosure (A or B), or customer supplied, remote mount, "Control Circuit" is required.
 Standard color is red.
 600 are available upon request.

OPXA

Accessories

Explosion-Proof ExCaliber™ Series Thermostats

OUE-BTX1-N-B (SPDT) heating or cooling:

This is the bi-metal thermostat used on OPXA heaters with built-in option code (T1) and electrical enclosure "C" selected. Wall mount version requires electrical enclosure "A" or "B" or "C" depending on model.



Class I, Division 1 & 2, Groups B, C & D	Class I, Zone 1 & 2, Ex db, Groups IIA, IIB+H ₂ , T6, Gb
Class II, Division 1, Groups E, F & G	Class I, Zone 1 & 2, AEx db, Groups IIA, IIB+H ₂ , T6, Gb
Class II, Division 2, Groups F & G; Class III; T6-50 °C ≤ T amb ≤ +40 °C, IP66, Type 4	Class II, Zone 21 & 22, Ex tb, Groups IIIA, IIIB & IIIC, T85 °C, Db Class II, Zone 21 & 22, AEx tb, Groups IIIA, IIIB & IIIC, T85 °C, Db

Temperature adjustment range: 40 °F to 80 °F (5 °C to 25 °C); 3/4" - NPT conduit opening on top and bottom.
22A resistive load, 480VAC Max; 1/2 HP@125 VAC; 1 HP@ 250VAC (suitable for 24V or 120V control circuit).

Note: If ExCaliber™ series wall mount thermostats are being used with 600V OPXA heaters, heaters with a current draw greater than 22A, or on any 3-phase heaters, then order the heaters with electrical enclosure "A" or "B". If using your own temperature control device, a remote contactor may be required. Ensure control devices comply to local electrical code and meets the heater's electrical ratings and is suitable for the area's hazardous atmosphere classification.

OUE-XET1-1-W-N-A (electronic) heating only:

Wall mount version requires heater electrical enclosure "B". If a wall mount thermostat is ordered without heater electrical enclosure "B", then an external 24VAC power supply and control circuit is required (supplied and installed by others).



Class I, Division 1 & 2, Groups B, C & D	Class I, Zone 1 & 2, Ex db, Groups IIA, IIB+H ₂ , T6, Gb
Class II, Division 1, Groups E, F & G	Class I, Zone 1 & 2, AEx db, Groups IIA, IIB+H ₂ , T6, Gb
Class II, Division 2, Groups F & G; Class III; T6-50 °C ≤ T amb ≤ +40 °C, IP66, Type 4	Class II, Zone 21 & 22, Ex tb, Groups IIIA, IIIB & IIIC, T85 °C, Db Class II, Zone 21 & 22, AEx tb, Groups IIIA, IIIB & IIIC, T85 °C, Db

Temperature adjustment range: 40 °F to 80 °F (5 °C to 25 °C); 3/4" - NPT conduit opening on top and bottom.
20 to 36VAC 50/60 Hz; 1A max. continuous (suitable for 24V control circuit only).

Field Installation & Retrofit Kits

Built-in thermostat field installation kits for OPXA series:

These two field installed built-in thermostat kits are for adding a

OUE-BTX1-N-B or OUE-XET1-1-W-N-A thermostat to an OPXA heater with electrical enclosure "A" (120VAC) or "B" (24VAC) and includes the electrical wires, 3/4" conduit seal, conduit nipples, sealing compound (water/cement plastic pouch) and sealing fiber. The conduit seal is certified for use in Class I, Division 1, Groups A, B, C and D; Class II, Division 1, Groups E, F and G; Class III. Installation must be inspected on site as per the local electrical code.



BTX1-FIK:

This kit is suitable for installation of a OUE-BTX1-N-B thermostat on an OPXA heater with electrical enclosure "A" (120VAC) or "B" (24VAC). Thermostat not included.

XET1-FIK:

This kit is suitable for installation of an OUE-XET1-1-W-N-A thermostat on an OPXA heater with electrical enclosure "B" (24VAC) only. Thermostat not included.



OUE-BLK1-W-N-A field retrofit kit:

The heater thermostat conversion kit allows simple interchangeability from a built-in thermostat to a wall mount configuration.

Explosion-Proof Disconnect Switch, Remote Mount

OUE-XDC-01: Disconnect switch - Not suitable for Group B or Group IIB+H₂ (Hydrogen) gas atmosphere:

Class I, Division 1 & 2, Groups C & D; Class II, Division 1, Groups E, F & G; Class II, Division 2, Groups F & G; Class III

Class I, Zone 1 & 2, Grp IIA & IIB, T5

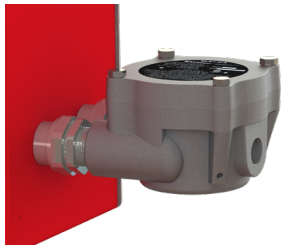
600V, 50A max.; 15 HP@208/240V, 3-phase; 30 HP@480/600V, 3-phase; 2 HP@120V, 1-phase; 7.5 HP@240V, 1-phase



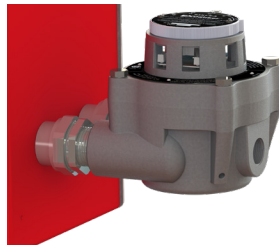
Options

Product # Kit	Product # Factory installed*	Description
-	T1	Built-in thermostat, bi-metal (not available with 3-phase models, or 1-phase models that have a line current exceeding 22A)
-	LC	Left side electrical enclosure (standard location is on the right side)
-	ZZ	Special build (factory use only)
OUE-BTX1-N-B	-	Wall mount bi-metal hazardous location thermostat. Note: Requires one heater electrical enclosures A or B or C, depending on heater model selected.
OUE-XET1-1-W-N-A	-	Wall mount electronic hazardous location thermostat. Note: Requires heater electrical enclosure B.
OUE-XDC-01	-	Wall mount hazardous location disconnect switch. Note: Not suitable for Group B or Group IIB+H2 (Hydrogen) gas atmosphere.
BTX1-FIK	-	This field installation kit is suitable for installation of a OUE-BTX1-N-B thermostat directly to the heater with Electrical Enclosure "A" (120VAC) or "B" (24VAC). Thermostat not included.
XET1-FIK	-	This field installation kit is suitable for installation of an OUE-XET1-1-W-N-A thermostat directly to the Heater with Electrical Enclosure "B" (24VAC) only. Thermostat not included.
BLK1-W-N-A	-	Heater thermostat conversion kit allows interchangeability from a built-in thermostat, with enclosure "C" to a wall mount configuration.

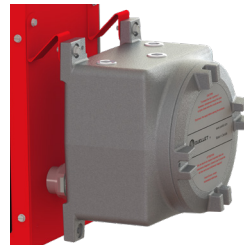
Electrical Enclosure



Electrical Enclosure "C"
Line voltage



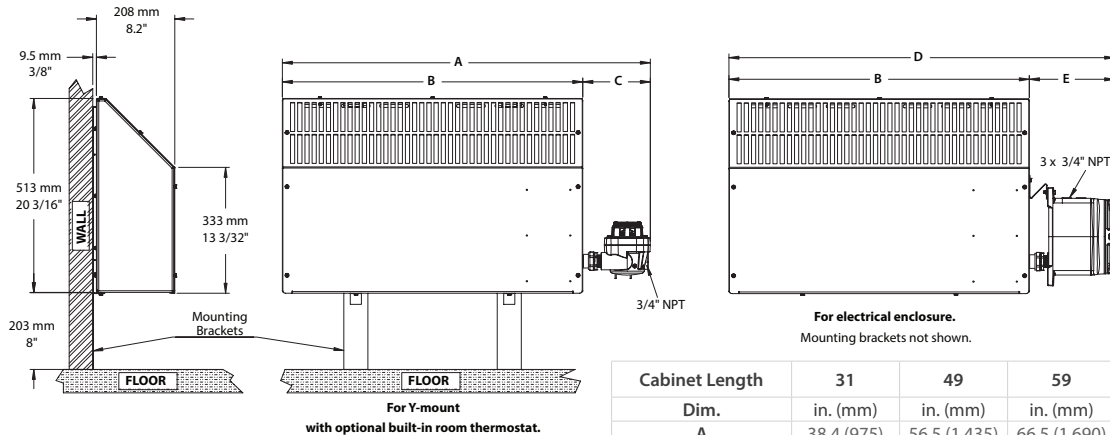
Electrical Enclosure "C"
Line voltage with optional built-in thermostat "T1"



Electrical Enclosure "A" (120VAC) or "B" (24VAC)



Left side Electrical Enclosure
Option Code "LC"



Cabinet Length	31	49	59	71
Dim.	in. (mm)	in. (mm)	in. (mm)	in. (mm)
A	38.4 (975)	56.5 (1 435)	66.5 (1 690)	78.8 (2 003)
B	31.3 (795)	49.5 (1 257)	59.5 (1 511)	71.8 (1 824)
C	7 (179)	7 (179)	7 (179)	7 (179)
D	40.2 (1 022)	58.3 (1 482)	68.4 (1 737)	80.7 (2 050)
E	8.9 (226)	8.9 (226)	8.9 (226)	8.9 (226)

OSM-AF
OSM-AD
OSM-AT

AirForce™ Multi Nozzle High Velocity Hand Dryer
AirDuo Hand and Hair Dryer
AirTempest Hand Dryer



AirForce™



AirDuo



AirTempest



AirTempest only



Features

AirForce™
Multi Nozzle High Velocity Hand Dryer

Color

- White, chrome.

Finish

- White: epoxy paint incorporated with SteriTouch® antimicrobial additive.
- Chrome: plating.

Voltage

- 120V, 240V, 1-phase.

Construction

- Die cast aluminum housing.

Sound level

- 85.1 dBA with hands.

Heating element

- No heating element.

Control

- Activated by an automatic active infrared sensor controlled by a circuit board with 1-second run-on time and 30-second vandal shut-off.

Installation

- Surface-mounted.

Warranty

- 5-year warranty against defects.

AirDuo
Hand and Hair Dryer

Color

- Standard: white.

Finish

- Standard: epoxy paint.

Voltage

- 120V, 240/208V, 1-phase.

Construction

- Die cast aluminum housing.

Sound level

- 74 dBA with hands.

Heating element

- Helical coil nickel-chromium alloy wire protected by mica insulator.

Control

- Pushbutton with micro-switch activated timer. Time cycle setting can be adjusted in the field from 15-second to 3-minute.

Installation

- Surface-mounted.

Warranty

- 5-year warranty against defects.

AirTempest
Hand Dryer

Color

- Standard: white, stainless steel.

Finish

- Standard: epoxy paint.
- Optional: stainless steel.

Voltage

- Automatically adjusts itself to all power conditions, from 120V to 240V.

Construction

- Epoxy painted steel, stainless steel.

Fan

- Thermally-protected universal type, 1/8 HP, 4800 RPM.

Sound level

- 67dBA without hands.

Heating element

- Nichrome wire construction, 1200 watts, and auto-reset thermal-protector so power is disconnected if air is not flowing.

Control

- Automatic touch-free infrared sensor.

Installation

- Surface-mounted with security screws to prevent vandalism (tool supplied).

Warranty

- 5-year warranty against defects.

Models

Product #	Color	Watts	Volts	Weight	
				lb	kg
AirForce™					
J-974	White	1100	120	7.0	3.2
J4-974	White		240	7.0	3.2
J-970	Chrome		120	7.0	3.2
J4-970	Chrome		240	7.0	3.2
AirDuo					
OAD1802BL	White	1800	120	18.0	8.2
OAD1800BL	White	1800/1350	240/208	18.0	8.2
AirTempest					
OAM90BL	White	400-1400 (120V)	120 to 240	9.4	4.2
OAM90SS	Stainless steel	350-1250 (240V)		9.4	4.2

OSM-VD OSM-SD

VERDEdri™ Slim Profile High Velocity Hand Dryer

SMARTdri™ Plus Versatile Hand Dryer



VERDEdri™



SMARTdri™



VERDEdri™

IP24



SMARTdri™ Plus



IP24

Features

VERDEdri™

Slim Profile High Velocity Hand Dryer

Color

- Standard: white.
- Optional: black, brushed stainless steel.

Voltage

- Universal voltage 110 to 277V, 1-phase.

Construction

- HEPA filter eliminates 99.97% of particles 0.3µm or larger.
- Antimicrobial technology protects the treated surfaces on the dryer by inhibiting the growth of bacteria, mold and fungus that can cause stains, odors or deterioration
- IP24 rating — protection against harmful water ingress.

Sound level

- 69 dBA without hands in airstream

Heating element

- Nichochrome wire construction, 475 watts, with auto-reset thermal protector so power is disconnected if air is not flowing.

Control

- 3 speed selector switch.
- Automatic touch-free infrared activation with 45 second vandal-resistant lock out feature.
- 12 second drying time (adjustable).

Installation

- ADA compliant surface-mounted.
- Cover attached with tamper-resistant screws; security wrench included.

Warranty

- 10-year warranty against defects.

SMARTdri™ Plus

Versatile Hand Dryer

Color

- Standard: white.
- Optional: black, brushed stainless steel.

Voltage

- 120V, 240/208V, 1-phase.

Construction

- Die cast aluminum housing.

Sound level

- 73 to 85 dBA with hands.

Heating element

- Helical coil nickel-chromium alloy wire.

Control

- 3 speeds motor settings and on/off heating option.

Installation

- Surface-mounted.

Warranty

- 5-year warranty against defects.

Models

Product #	Color	Watts	Volts	Weight	
				lb	kg
VERDEdri™					
Q-974A2	White	950 to 1150	110 to 277	8.3	3.7
Q-162A2	Black	950 to 1150	110 to 277	8.3	3.7
Q-973A2	Stainless steel	950 to 1150	110 to 277	9.9	4.4
SMARTdri™ Plus					
K-974P	White	400-1200	120	11.6	5.2
K4-974P	White	425-1250	240/208	11.6	5.2
K-162P	Black	400-1200	120	11.6	5.2
K4-162P	Black	425-1250	240/208	11.6	5.2
K-973P	Stainless steel	400-1200	120	14.2	6.4
K4-973P	Stainless steel	425-1250	240/208	14.2	6.4

GT130

Smart Gateway



Zigbee



OTH4000-ZB

Smart Thermostat - Zigbee



Zigbee



CSA-C828-13
Performance Standard
ICES-003 Standard Compliant



Remote access requires an Internet connection.

Remote access requires an Internet connection and a GT130 smart gateway (not included).

GT130 Features

Type

- Smart gateway that provides remote access to the OTH3600-GA-ZB and OTH4000-ZB.
- Transmitter module:
IC: 22394-ZBM1501, 21098-ESPWROOM32
FCC ID: 2AK2T-ZBM1501, 2AC 7Z-ESPWROOM32

Color

- Standard: black.

Voltage

- 120V adapter included.

Internet connection

- Ethernet cable included.

Protocol

- Secure and encrypted.

Installation

- Desk support included.

Application

- Zigbee-compatible controls.

Warranty

- 3-year warranty against defects.

OTH4000-ZB Features

Type

- Programmable electronic proportional pulsing line voltage smart thermostat.
- Transmitter module:
IC: 22394-ZBM1501

Color

- Standard: white.

Voltage

- 120/208/240V, 60 Hz.

Rating

- Maximum load: 16.7A at 120/208/240V.
- Minimum load: 1.25A at 120/208/240V.

Control

- 10-minute cycle (forced-air heater) or 15-second cycle (convector).
- Resolution: 0.5 °C (1 °F).
- Precision: ± 0.15 °C (0.27 °F) on 15-second cycle.
- Precision: ± 0.5 °C (1 °F) on 10-minute cycle.

Temperature range

- 5 °C (41 °F) to 30 °C (86 °F).

Display

- Digital screen with black backlit.
- Display forced-air heater mode and keypad lock (when activated).
- Outside temperature display.
- Temperature display format (°C or °F) and time format (24h or 12h).
- Programming features are accessible only through the Neviweb app. The connectivity requires a GT130 smart gateway.

Installation

- 2-wire thermostat, easy to install.

Application

- Baseboard heater, radiant ceiling, convector and forced-air convector.

Warranty

- 3-year warranty against defects.

Models

Product #	Description	Watts	Volts
GT130	Smart gateway that provides remote access to the OTH3600-GA-ZB and OTH4000-ZB	-	-
OTH4000-ZB	Smart thermostat - Zigbee	2000/3465/4000	120/208/240

Standard color is black.
Standard color is white.

OTH3600-GA-V2

Non Programmable Electronic Thermostat
for Floor Heating System



Compliance with standard
CAN/CSA-C828-19



OTH3600P-GA

Programmable Electronic Thermostat
for Floor Heating System



Compliance with standard
CAN/CSA-C828-13



OTH3600-GA-V2 Features

Type

- Non programmable, electronic, double-pole, 4-wire thermostat for floor heating system.

Color

- Standard: white.

Voltage

- 120/208/240V, 50/60 Hz.

Rating

- 15A at 120/208/240V.

Control

- 15-minute cycle.
- Resolution and precision: ± 0.5 °C (1 °F).
- Auxiliary contact offers the possibility of controlling supplemental heat sources by either using an expansion unit (TR1310-120-240GA) for heated floors or using a low voltage relay and a low voltage transformer for an electric heater.

Temperature range

- Floor: 5 °C (40 °F) to 30 °C (86 °F).
- Ambient: 5 °C (40 °F) to 30 °C (86 °F).

Temperature control mode

- A mode: Ambient temperature control and possibility of limiting the temperature of the floor using an external temperature sensor.
- F mode: Floor temperature control using an external temperature sensor and possibility of limiting the ambient temperature.

Display

- Digital display of actual and setpoint temperature (°C or °F), heating level.
- GFCI fault indicator.
- Backlit.

Installation

- 4-wire thermostat with ambient and floor sensor.

Warranty

- 3-year warranty against defects.

OTH3600P-GA Features

Type

- Programmable, electronic, double-pole, 4-wire thermostat for floor heating system.

Color

- Standard: white.

Voltage

- 120/208/240V, 50/60Hz.

Rating

- 15A at 120/208/240V.

Control

- 15-minute cycle.
- Resolution and precision: ± 0.5 °C (1 °F).
- Auxiliary contact offers the possibility of controlling supplemental heat sources by either using an expansion unit (TR1310-120-240GA) for heated floors or using a low voltage relay and a low voltage transformer for an electric heater.

Temperature range

- Floor: 5 °C (40 °F) to 30 °C (86 °F).
- Ambient: 5 °C (40 °F) to 30 °C (86 °F).

Display

- Digital display of actual and setpoint temperature (°C or °F), heating level, actual mode and clock (12 or 24-hour format).
- Temperature setpoint and settings are permanently recorded.
- Time and date retained up to 8 hours during a power outage.
- GFCI fault indicator.
- Backlit.

Program

- 7 days, 4 settings/day.
- Pre-programmed or personalized schedule.

Mode

- Automatic, Manual, No freeze and Sleep.
- Boost (timer) available in ambient mode with auxiliary contact.

Installation

- 4-wire thermostat with ambient and floor sensor.

Warranty

- 3-year warranty against defects.

OTH3600-GA-ZB

Smart Thermostat - Zigbee
for Floor Heating System



TH1310WF

Smart thermostat - Wi-Fi
for floor heating system



OTH3600-GA-ZB & TH1310WF Features

Type

- Programmable, electronic, double-pole, 4-wire smart thermostat for floor heating system.

Color

- Standard: white.

Voltage

- 120/208/240V, 50/60Hz.

Rating

- 15A at 120/208/240V.

Control

- 15-minute cycle.
- Resolution and precision: $\pm 0.5^\circ\text{C}$ (1°F).
- Auxiliary contact offers the possibility of controlling supplemental heat sources by either using an expansion unit (TR1310-120-240GA) for heated floors or using a low voltage relay and a low voltage transformer for an electric heater.

Temperature control mode

- A mode: Ambient temperature control and possibility of limiting the temperature of the floor using an external temperature sensor.
- F mode: Floor temperature control using an external temperature sensor and possibility of limiting the ambient temperature.

Temperature range

- Floor: 5°C (40°F) to 36°C (96°F).
- Ambient: 5°C (40°F) to 36°C (96°F).

Display

- Digital display of actual and setpoint temperature ($^\circ\text{C}$ or $^\circ\text{F}$), heating level, actual mode and clock (12 or 24-hour format).
- Outside temperature display.
- Temperature setpoint and settings are permanently recorded.
- GFCI fault indicator (ground fault circuit interrupter).
- Back backlit.

Program

- Programming features are accessible only through the Neviweb app.
OTH3600-GA-ZB: The connectivity requires a GT130 smart gateway.
TH1310WF: The connectivity requires a Wi-Fi signal.

Installation

- 4-wire thermostat with ambient sensor and floor sensor.

Warranty

- 3-year warranty against defects.



TR1310 Features

The TR1310 series expansion units are specially designed for large floor heating applications exceeding 15 Amps. They drive their own part of the floor and are also equipped with a ground fault circuit interrupter (GFCI). These modules, which are controlled by a main thermostat of the OTH3600 series, require only one thermostat to regulate large areas.

Models

Product #	Description	Amp.	Volts	Protection
OTH3600-GA-V2 ^{2,3}	Non programmable electronic thermostat for floor heating system			
OTH3600P-GA ^{2,3}	Programmable electronic thermostat for floor heating system			
OTH3600-GA-ZB ^{2,3}	Smart thermostat - Zigbee for floor heating system	15	120/208/240	Class A GFCI 5 mA ¹
TH1310WF ^{2,3}	Smart thermostat - Wi-Fi for floor heating system			
TR1310-120-240GA ³	Expansion unit for floor heating system			
GT130 ⁴	Smart gateway that provides remote access to the OTH3600-GA-ZB and OTH4000-ZB	-	-	-

¹ GFCI: Ground fault circuit interrupter.

² 15' (4.6 m) floor sensor included.

³ Standard color is white.

⁴ Standard color is black.

Use of the Works with Apple badge means that an accessory has been designed to work specifically with the technology identified in the badge and has been certified by the developer to meet Apple performance standards. Apple is not responsible for the operation of this device or its compliance with safety and regulatory standards. HomeKit is a trademark of Apple Inc. Neviweb[®] is a registered trademark of Sinopé Technologies Inc. in Canada and the United States. Apple and the Apple logo are trademarks of Apple Inc., registered in the U.S. and other countries. App Store is a service mark of Apple Inc., registered in the U.S. and other countries. Google Play and the Google Play logo are trademarks of Google Inc. The Wi-Fi CERTIFIED[™] Logo is a certification mark of Wi-Fi Alliance[®].

OTH3000, 4000, 5007

Non Programmable Electronic Thermostats

OTH3000P, 4000P

Programmable Electronic Thermostats



Features

Type

- Electronic proportional pulsing line voltage thermostat.

Color

- Standard: white.

Voltage

- OTH3000-A, OTH4000-A, OTH3000P-A and OTH4000P-A: 120/208/240V, 50/60 Hz.
- OTH5007: 277/347V, 50/60 Hz.

Rating

- Maximum load:
 - OTH3000-A and OTH3000P-A: 12.5A at 120/208/240V.
 - OTH4000-A and OTH4000P-A: 16.7A at 120/208/240V.
 - OTH5007: 14.4A at 277/347V.
- Minimum load: 1.25A at 120/208/240/277/347V.

Control

- 10-minute cycle (fan-forced convector) or 15-second cycle (convector).
- Resolution: 0.5 °C (1 °F).
- Precision: ± 0.15 °C (0.27 °F) on 15-second cycle.
- Precision: ± 0.5 °C (0.1 °F) on 10-minute cycle.

Temperature range

- 5 °C (41 °F) to 30 °C (86 °F).

Display

- Digital screen with white LED backlit (except OTH5007).
- Display fan-forced heater mode and keypad lock (when activated).
- Choice of temperature display format (°C or °F) and for programmable thermostats, time format (24h or 12h).

Other feature

- Temperature setpoints recorded permanently in case of a power outage.
- Ability to set minimum and maximum setpoints.
- Night light mode for the display LED (except OTH5007).

Installation

- 2-wire thermostat, easy to install.
- OTH5007: Not compatible with a product equipped with a transformer.

Application

- Baseboard heater, radiant ceiling, convector and fan-forced convector.

Warranty

- 3-year warranty against defects.

Features OTH3000P, 4000P

Program

- Programming available for up to 4 periods a day.

Mode

- Automatic, Manual, Economy.

Other feature

- Early start of the heating period.

Models

Product #	Description	Watts	Volts
OTH3000-A	Non programmable electronic proportional pulsing line voltage thermostat	1500/2600/3000	120/208/240
OTH4000-A		2000/3465/4000	120/208/240
OTH5007		4000/5000	277/347
OTH3000P-A	Programmable electronic proportional pulsing line voltage thermostat	1500/2600/3000	120/208/240
OTH4000P-A		2000/3465/4000	120/208/240

Standard color is white.

OTH24-V2

Low Voltage Non Programmable Electronic Thermostat (2 outputs)



OTH24-AFR

Low Voltage Programmable Electronic Thermostat (2 outputs)



Features

Type

- Low voltage electronic thermostat.

Color

- Standard: white.

Voltage

- 24Vac, 50/60 Hz.

Power

- 1A per output (2 outputs).

Mode

• First output (main):

A mode: Ambient temperature control.

Note: Floor temperature can be controlled using an external temperature sensor when a floor heating cable is used as the heating source.

F mode: Floor temperature control using an external temperature sensor with ability to control the ambient temperature.

• Second output (auxiliary):

The second output is activated if the first heating system controlled by the first output cannot reach the temperature setpoint.

Control

- 15-second cycle or 5, 10, 15, 20, 25, 30-minute cycle (individually adjustable on each output).
- Adjustment of the minimum Time ON and minimum Time OFF on the main output. Defines the minimum time for which the output

- can be turned ON or turned OFF (used for heating system with a purge).
- Pump exercise OFF/ON (if set to ON, the thermostat activates its main output for 1 minute every 24 hours to prevent pump from seizing).
- Resolution: 0.5 °C (1 °F).

Display

- Digital display of ambient temperature (°C or °F), heating level indicator and temperature setpoint.
- Backlit - permanent or activated on request.
- Temperature setting recorded permanently.

Temperature range

- 5 °C to 36 °C (41 °F to 97 °F).

Storage Temperature

- -20 °C to 50 °C (-4 °F to 158 °F).

Installation

- 3-wire thermostat (minimum).

Application

- 2 low voltage outputs that can be connected using a 24V relay and a transformer to control electric baseboard heaters, convectors, forced-air convectors, electric heating floors, water pumps and boilers. Note: Select the cycle according to the type of heating.

Warranty

- 3-year warranty against defects.

OTH24-AFR Features

Configuration

- "Installer" configuration menu used to lock certain thermostat functions with a 4-digit code. Ideal for restricting access to programming functions or to the temperature setpoint.

Mode

• First output (main):

P mode: Proportional control with fixed cycle rate. This mode works without using a temperature sensor (ideal for controlling radiant heating units).

- "Boost" (timer) function on the auxiliary output (only available in Ambient or Proportional mode).

Program

- 4 programming modes:
 - No freeze: The thermostat maintains a temperature setpoint of 5 °C (41 °F).
 - Manual: All settings must be adjusted manually.
 - Automatic: The thermostat automatically changes the temperature settings according to the programmed settings:
 - "5-2": One program for weekdays and one for the weekend.
 - "7": A different program for every day of the week.
 - Off (Sleep mode).

Models

Product #	Description	Amp.	Volts
OTH24-V2	Low voltage non programmable electronic thermostat (2 outputs)	1A	24
OTH24-AFR	Low voltage programmable electronic thermostat (2 outputs)		

Mechanical and Electronic Thermostats



Mechanical Low Voltage Thermostat

Product #	Description
T822K1018	Mechanical low voltage thermostat, Fahrenheit, 50 °F to 90 °F

Standard color is white.

Mechanical Line Voltage Thermostats

Product #	Description	Temperature
OTL221	Mechanical thermostat, single-pole, single-throw, 22A at 120/208/240/277V, Celsius and Fahrenheit	5 °C to 32 °C 41 °F to 90 °F
OTL222	Mechanical thermostat, double-pole, single-throw, 22A at 120/208/240/277V, Celsius and Fahrenheit	5 °C to 32 °C 41 °F to 90 °F

Standard color is white.

Programmable Electronic Thermostat (Low or Line Voltage)

Product #	Amp.	Volts	Description
TH140-28-01-B	5A (resistive) 2A (inductive)	24/120/240	Programmable battery-powered electronic thermostat
TH105PLUS-U	14.6A (resistive)	120/240	Programmable electronic thermostat

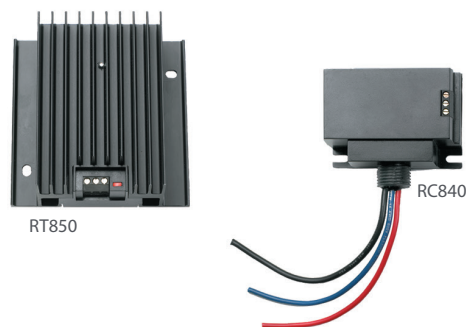
Standard color is white.

Double-Pole Line Voltage Electronic Thermostat

Product #	Price	Watts	Volts	Amp.	Description
TH114-A-240D		3600	240/208	15	Non programmable electronic double-pole line voltage thermostat

Standard color is white.

Low Voltage Relays



On/Off Relays

Product #	Volts 60 Hz	Resistive Charge (A)
Without transformer		
RC840	120/208/240	22
	347	18
R841D1036	480	12.5
	600	10
With transformer		
RC840T-120	120	22
RC840T-240	208/240	22
RC840T-277	277	19
R841C1151	600	10

Note: Not recommended for fast-cycling modulated regulation (more than 6 cycles/hr). For fast-cycling heating equipment Solid State Relay. Meant for external installation only. For installation inside heaters, refer to the options table of the concerned product series.

Triac Relays

Product #	Volts 60 Hz	Resistive Charge (A)	Input Signal
Without transformer			
RT850	100 to 347	23	4-32VDC, 24VAC
CCT-25-1-C1	208/240/347	25	3-32VDC, 24VAC
CCT-30-1-C2	48-600	30	3-32VDC, 24VAC
With transformer			
RT850T-240	208/240	23	19.2/24VAC
RT850T-347	347	23	24VAC
CCT-25-1-C2-T	208/240/347	25	14.4/16.6/19.2/24VAC

Note: Meant for external installation only. For installation inside heaters, refer to the options table of the concerned product series.

Universal Guards



Universal Guards

Product #	Description	Inside Dimension (Length X Height X Depth)
F29-0143	Clear plastic thermostat guard	6 3/8 in. X 3 1/2 in. X 3 in.
F29-0198	Metal thermostat guard	8 1/4 in. X 5 3/8 in. X 3 1/2 in.
F29-0193	Metal thermostat guard	6 in. X 3 13/16 in. X 3 1/8 in.

Wall Thermostats Reference Chart

Thermostat Models									
The suggested thermostats may be incompatible with certain voltage or power levels of the product line; please consult the thermostat instruction manual to verify compatibility.									
Series	OTH3000-A OTH3000P-A OTH4000-ZB	OTH4000-A OTH4000P-A TH114-A-240D	OTH5007	OTH3600-GA OTH3600P-GA OTH3600-GA-ZB TH1310WF	OTH-24-V2 OTH24-AFR with built in relay or RT850 ¹	OTH-24-V2 OTH24-AFR RC840 ^{1,2}	TH140	OTL221 ² OTL222 ²	Other
Residential/Commercial/Institutional									
Convection Heaters									
RBH		✓	✓		✓	✓		✓	
ODL		✓	✓		✓	✓		✓	
ONC		✓	✓		✓	✓		✓	
Forced-Air Wall Heaters									
OVC		✓ ²	✓ ²			✓ ²		✓	
OVOS		✓ ²				✓ ²		✓	
OVO		✓ ²				✓ ²		✓	
OVOH		✓ ²				✓ ²		✓	
OVS		✓ ²	✓ ²			✓ ²		✓	
OVR		✓ ²	✓ ²			✓ ²		✓	
OAC						✓		✓	
OAWH						✓		✓	
OVE		✓ ²				✓ ²		✓	
Furnaces									
OFE-A						✓ ²	✓		
OFE-ECM						✓ ³	✓		
Radiant Heaters									
ORC		✓	✓		✓	✓		✓	
ORP		✓	✓		✓	✓		✓	
OKB					✓				
OTM				✓	✓	✓			
OTR				✓	✓	✓			
OWF-R				✓	✓	✓			
OWC				✓	✓	✓			
OWS-T									ETO2, DS-2C
Specialty Heaters									
OFB		✓ ²				✓ ²		✓	
OCP		✓ ²				✓ ²		✓	
OFH		✓ ²				✓ ²		✓	
ORA							✓	✓	
Forced-Air Ceiling Heaters									
OVSP		✓ ²	✓ ²			✓ ²		✓	
OACP						✓		✓	
ODS						✓		✓	
OCA						✓		✓	
Space/Unit Heaters									
OHV						✓		✓	
Industrial									
OAS						✓		✓	
OWD									OWD-TM
OHX									OUE-BTX2-15A-W-N-A OUE-XET1-1-W-N-A
XB									XB-TM
OPXA									OUE-BTX1-E-A XET-1-E-A OUE-XDC-01
Architectural									
Draft Barrier Heaters									
OPPM		✓	✓		✓	✓		✓	
OMB		✓	✓		✓	✓		✓	
ODB		✓	✓		✓	✓		✓	
ODI		✓	✓		✓	✓		✓	
ODBA		✓	✓		✓	✓		✓	
ODIA		✓	✓		✓	✓		✓	
OCB		✓	✓		✓	✓		✓	
OHB		✓	✓		✓	✓		✓	
OPR		✓	✓		✓	✓		✓	
OTS		✓	✓		✓	✓		✓	
Cabinet Convector Heaters									
OLA		✓	✓		✓	✓		✓	
OLI		✓	✓		✓	✓		✓	
OPA		✓	✓		✓	✓		✓	
OPI		✓	✓		✓	✓		✓	

¹ Optional built-in on/off relay or triac relay available.

² Long cycle mode.

³ Relay not required. One heating stage only.

Electrical Fundamentals

Ohm's Law

The relationship between Wattage (heat) output and the applied Voltage of electric resistance heating elements is determined by a precise physical rule defined as Ohm's Law which states that the current in a resistance heating element is directly proportional to the applied Voltage. Ohm's Law is traditionally expressed as:

$$I = \frac{E}{R} \quad \text{Where: } I = \text{Amperes (Current)}$$

$$E = \text{Voltage}$$

$$R = \text{Ohms (Resistance)}$$

The same equation using the conventional abbreviation for voltage is:

$$I = \frac{V}{R} \quad \text{Where: } I = \text{Amperes (Current)}$$

$$V = \text{Voltage}$$

$$R = \text{Ohms (Resistance)}$$

An unknown electrical value can be derived by using any two known values in one of the variations of Ohm's Law shown at the right.

VOLTS

$$\text{VOLTS} = \sqrt{\text{WATTS} \times \text{OHMS}}$$

$$\text{VOLTS} = \frac{\text{WATTS}}{\text{AMPERES}}$$

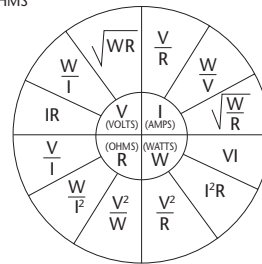
$$\text{VOLTS} = \text{AMPERES} \times \text{OHMS}$$

AMPERES

$$\text{AMPERES} = \frac{\text{VOLTS}}{\text{OHMS}}$$

$$\text{AMPERES} = \frac{\text{WATTS}}{\text{VOLTS}}$$

$$\text{AMPERES} = \sqrt{\frac{\text{WATTS}}{\text{OHMS}}}$$



OHMS

$$\text{OHMS} = \frac{\text{VOLTS}}{\text{AMPERES}}$$

$$\text{OHMS} = \frac{\text{WATTS}}{\text{AMPERES}^2}$$

$$\text{OHMS} = \frac{\text{VOLTS}^2}{\text{WATTS}}$$

WATTS

$$\text{WATTS} = \text{VOLTS} \times \text{AMPERES}$$

$$\text{WATTS} = \text{AMPERES}^2 \times \text{OHMS}$$

$$\text{WATTS} = \frac{\text{VOLTS}^2}{\text{OHMS}}$$

Electric Current Draw Table

For the U.S. only: The nominal current of the unit must not exceed 80% of the capacity of the disconnect.

Power kW	Voltage (ph)						
	120V (1)	208V (1)	208V (3)	240V (1)	240V (3)	277V (1)	480V (3)
0.3	2.50	1.45	0.83	1.25	0.72	1.09	0.36
0.4	3.34	1.92	1.11	1.67	0.97	1.45	0.49
0.5	4.17	2.41	1.39	2.09	1.21	1.81	0.61
0.6	5.00	2.89	1.66	2.50	1.45	2.17	0.72
0.75	6.25	3.61	2.09	3.13	1.81	2.71	0.91
0.8	6.67	3.85	2.23	3.34	1.93	2.89	0.97
1.0	8.34	4.81	2.78	4.17	2.41	3.61	1.21
1.2	10.00	5.77	3.34	5.00	2.89	4.34	1.45
1.25	10.42	6.01	3.47	5.21	3.01	4.52	1.51
1.4	11.67	6.73	3.89	5.84	3.38	5.06	1.40
1.5	12.50	7.22	4.17	6.25	3.61	5.42	1.81
1.6	13.34	7.70	4.45	6.67	3.86	5.78	1.93
1.75	14.59	8.42	4.87	7.30	4.22	6.32	2.11
2.0	16.67	9.62	5.56	8.34	4.82	7.22	2.41
2.25	18.75	10.82	6.25	9.38	5.42	8.13	2.71
2.5	20.84	12.02	6.95	10.42	6.02	9.03	3.01
3.0	25.00	14.43	8.34	12.50	7.23	10.83	3.61
4.0	33.34	19.23	11.12	16.67	9.64	14.44	4.82
4.5	37.50	21.64	12.50	18.75	10.84	16.25	5.42
5.0	41.67	24.04	13.90	20.84	12.05	18.05	6.02
6.0	50.00	28.85	16.68	25.00	14.45	21.66	7.23
7.5	62.50	36.06	20.84	31.25	18.06	27.08	9.03
8.0	66.67	38.47	22.23	33.34	19.27	28.88	9.64
9.0	75.00	43.27	25.01	37.50	21.68	32.49	10.84
10.0	83.34	48.08	27.79	41.67	24.09	36.11	12.05
12.0	100.00	57.70	33.25	50.00	28.90	43.33	14.45
14.0	116.67	67.31	38.91	58.33	33.72	50.54	16.86
15.0	125.00	72.12	41.69	62.50	36.13	54.16	18.06
18.0	150.00	86.54	50.02	75.00	43.35	64.99	21.68
20.0	166.67	96.16	55.58	83.34	48.17	72.21	24.09
24.0	200.00	115.39	66.69	100.00	57.80	86.65	28.90
25.0	208.34	120.20	69.48	104.17	60.21	90.26	30.11
30.0	250.00	144.23	83.37	125.00	72.25	108.31	36.13
35.0	291.67	168.27	97.27	145.84	84.30	126.36	42.15
40.0	333.34	192.31	111.16	166.67	96.34	144.41	48.17
45.0	375.00	216.35	125.06	187.50	108.38	162.46	54.19
50.0	416.67	240.39	138.95	208.34	120.43	180.51	60.21
55.0	458.34	264.43	152.85	229.17	132.47	198.56	66.24
60.0	500.00	288.47	166.75	250.00	144.51	216.61	72.25

FAQ

What is required for properly sizing a heater in my room?

- If you have a room with 8 feet ceiling height; you can calculate the square footage times 10 watts per square foot.
- If your ceiling is higher than 8 feet; calculate the cubic footage L x W x H and multiply by 1 watt per cubic foot .
- If you plan on heating a garage calculate the cubic footage L x W x H and multiply by 1 watt per square foot and multiply the square footage for each garage door by 48 (watts per square foot) and add this amount to the cubic footage. This will be the amount required to heat the garage.

Are 120 volts and 240 volts heaters interchangeable?

- A 240 volts heater run at 120 volts will produce 1/4 of the rated wattage. A 120 volts heater run at 240 volts will be destroyed and could cause fire damage to the building.

If I know the BTU's required; how do I calculate the watts required?

- Watts = BTU/3.412 (1 Watt = 3.41 BTU)

Calculating Temperature Rise?

- Sometimes your heater does not feel like it is putting out enough heat. Why not, you ask?
- Temperature rise is calculated by taking the kW times the constant 3167 divided by the CFM. For instance:
5kW x 3167/300CFM = 15835/300CFM = 52.8 °F. If your ambient temperature is 60 °F the outlet air is 112 °F.

Color Chart

Ouellet knows that today's customers ask for heating products that blend into their interior design. That is why we are proud to introduce the most comprehensive selection of colors and finishes ever offered by any heating manufacturer. Our wide variety of optional colors gives our customers added flexibility at standard color lead times.

Our standard corrosion and heat-resistant white and almond are at the top of the line in today's paint technology, helping your unit maintain that brand new look for years and years.

You can choose from our custom color chart and get Ouellet heaters exactly the way you want them for those projects where specific colors are desired. We also offer the possibility of anodizing aluminum products.

Touch-Up Paint

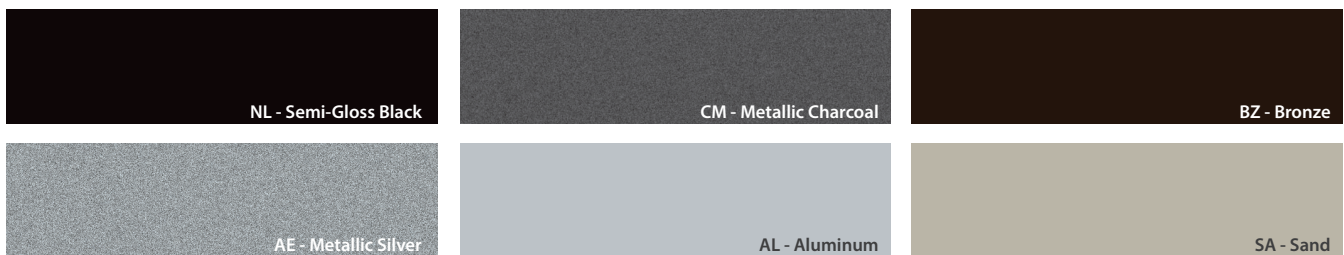
Product # ¹ Kit	Description
KIT-PEINT 26.00	Brush paint, 1/2 ounce (15 ml)

¹ Standard colors are white and almond. Add "BL" for white and "AM" for almond.

Standard colors¹



Optional colors²



¹ White gloss may vary according to product Series.

² Upcharge applicable for the optional colors for the series of product for which they are offered.

Note: Due to the printing process, the colors may vary from the actual colors.

Merchandise Returns

Any request for a return merchandise authorization must be sent to Customer Service. You must provide the purchase order number for each product purchased. Some fees may apply. Returned merchandise must be shipped "pre-paid." All the steps to follow are set out in the "Merchandise Returns" form sent out with the authorization number. This number must be visible on all product return packages. Products must arrive at the destination in good condition. Certain product series cannot be returned, if for example they are in special colors, are assembled with options not commonly ordered, are custom made. A copy of the policy is available upon request.

Spare Parts

Information regarding spare parts can be found on our Website.

Spare Parts for Discontinued Products

Ouellet is committed to maintaining an inventory of replacement parts for discontinued products for the duration of their warranty period. Where appropriate, a discontinued product may be replaced with an equivalent product. For more details contact our Customer Service Department.

Important Notice

The thermostat should not be considered as a foolproof system when maintaining a certain temperature is deemed critical, such as for hazardous material storage, computer server rooms, etc. In these cases, it is imperative to add a monitoring system to avoid the consequences of thermostat failure.

Warranty

Ouellet Canada Inc. products are guaranteed against all defects for one year following the date of purchase or extended warranty. The company's responsibility is limited to the replacement of defective parts. This warranty shall be limited to the actual equipment involved and does not cover installation or removal costs, travel time, or freight-related expenses.

Defects must be reported to Ouellet Canada to obtain an authorization of repair or replacement. Repairs may be performed at the factory or any authorized Ouellet repair center.

This warranty does not apply to damages, failure, or the results of an accident, alteration, misuse, abuse, incorrect installation, or operation from an incorrect power source.

Extended Warranty - Subject to the aforementioned conditions

1-year warranty against defects 3-year on the heating elements	OAU
1-year on the paint 10-year on the heating element	ORP
1-year warranty against defects 90-day warranty on the heating element (for industrial applications only)	OCF, DECOR
2-year warranty against defects	ORA-C, ORA-HX, OCC
2-year warranty against defects 5-year warranty on the heating element	OFB, OHY, OVE
3-year warranty against defects	OAE, OHX, OCC-WB, OAS, OPH, OTH3000, OTH3000P, OTH4000, OTH4000P, OTH5007, GT130, OTH3600-GA-ZB, OTH4000-ZB, OTH3600-GA, OTH3600P-GA, OTH-24-V2, OTH24-AFR, TH1310WF
3-year warranty against defects 10-year warranty on the heating element	OTS
5-year warranty against defects	OVC, OFE-A, OFE-ECM, ONC, OAC, OAWH, OACP, OCA, ORA-EC40, OHV, OVR, OVOS, OVO, OVOH, OVS, OVSP, ODS, OSM-AD, OSM-AF, OSM-AT, OSM-SD, OSM-VD
5-year warranty against defects Lifetime warranty on the heating element for the initial end user	RBH
5-year warranty on the motor. Other parts except filters and pre-filters 1-year.	OSA, OSK
10-year warranty against defects	ODB, ODI, OHB, ORC
10-year warranty against defects Lifetime warranty on the heating element for the initial end user	ODL
10-year warranty on the heating cable	OWS-T
20-year warranty on the heating cable	OWC-M, OWC-R
25-year warranty on the heating cable	OTM, OTR, OWF-R
1-year basic warranty on the heating cable	OSR-NA, OSR-MA, OSR-HA, OSR-PI
10-year basic warranty on parts and 10-year basic warranty on the compressor (labor not included)	OTP-E, OTP-C, OTP-O, OTP-MZ, OTP-H, OTP-P

Prices, specifications and warranties may change without prior notice.

