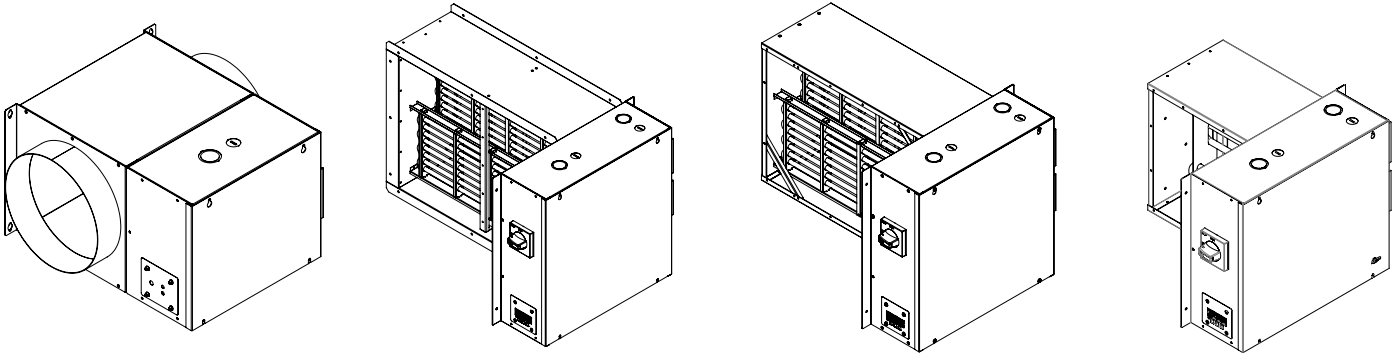


Round
and
Custom
Duct Heaters

INSTALLATION AND USER GUIDE



Product may differ from illustrations.



This unit complies with
CSA and UL standards

ODHx SERIES
(ODHR, ODHI & ODHf)

ODHxT SERIES
(ODHRT, ODHIT & ODHfT)

IDHx SERIES
(IDHR, IDHI & IDHf)

IDHxT SERIES
(IDHRT, IDHIT & IDHfT)

SDHx SERIES
(SDHR, SDHI & SDHf)

SDHxT SERIES
(SDHRT, SDHIT & SDHfT)

WARNING

Before installing or using this product, you must read and understand these instructions and keep them for future reference. The manufacturer cannot be held responsible for anything, and the warranty will be invalid if the installer and the user do not meet these guidelines.

This product must be installed by a qualified person and connected by a **licensed electrician** in accordance with the **electrical codes and building codes** in your area.

Failure to follow these guidelines could result in personal injury, property damage, serious injury and potentially fatal electric shocks.

Protect the unit using the appropriate breakers or fuses, by referring to the information on the nameplate.

Make sure the supply voltage (volts) corresponds to the voltage indicated on the nameplate.

This unit must be **grounded**.

Turn off the power of the unit at the circuit breaker/fuse before proceeding with the installation, repair and cleaning.

Make sure the device is designed for the intended application (if necessary, consult the product catalog or a representative).

If the power of the unit is insufficient for the size of the house, it will operate continuously; therefore, the product will age prematurely.

Follow the distances and positions indicated in the installation section of this guide.

If the installer or the user changed the unit in any way whatsoever, they will be liable for any damages resulting from this modification and the UL certification could be voided.

This product should not come into contact with a water source and must be protected from splashes. Do not use the unit if any part has been submerged. Also, do not activate or disable the unit when you have your feet in water or wet hands.

Since this unit runs hot, there are risks even when the unit is functioning normally. Use **caution, judgement and diligence** when using it. To avoid burns, do not let bare skin touch hot surfaces. Allow the unit to cool slightly before handling (it stays warm for a time after functioning).

Never block the air inlets and outlets of the unit. This obstruction could lead to overheating, which could cause a fire.

Do not insert foreign objects into the air inlets and outlets of the unit, as this may cause damage and lead to electrical shock or fire.

The unit includes hot working components that can produce electrical arcing (sparks). It is not designed to be used or stored in a wet location, or a location containing flammable liquids, combustible, corrosive, abrasive or chemical materials or explosives such as, but not limited to, paint,

WARNING

gasoline, chlorine and cleaning products.

Some areas are dustier than others. It is therefore the responsibility of the user to evaluate whether to **change the filter** according to the amount of dirt accumulated on it. There is a risk of fire if the product is not installed and maintained in accordance with these guidelines.

Activation of the thermal protection indicates that the unit has been subjected to abnormal operating conditions. If it remains activated or is turned on and off repeatedly, it is recommended to have the unit inspected by a qualified electrician or a certified repair centre to ensure that it is not damaged (refer to the limited warranty beforehand).

If the unit is damaged or defective, cut off its power at the breaker/fuse and have it repaired at a certified repair centre (refer to the limited warranty beforehand).

Identify the wiring before unplugging the unit, so as to make sure you can reconnect the unit later on. Incorrect connections may cause a malfunction and pose a danger.

RECEPTION AND HANDLING OF THE DUCT HEATER

- The duct heater must be handled with care.
- Remove the protective packaging right before installation.
- Verify the condition of the elements, ceramics and components.
- Notify the manufacturer if the duct heater has been damaged.

MECHANICAL INSTALLATION

CAUTION: NEVER USE A STANDARD DUCT HEATER FOR AN APPLICATION WITH A RISK OF EXPLOSION.

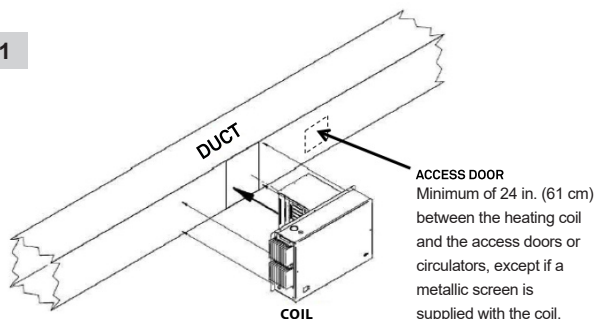
The air flowing through the duct, where is installed the duct heater, must not contain any combustible and/or flammable material. Air temperature at the entrance of the duct heater should not exceed 27 °C (80 °F).

xDHx(T) units must always be installed with their heating elements placed horizontally (+/-15 DEGREES). The duct heater must be installed in the duct in accordance with the applicable codes in your area.

MECHANICAL INSTALLATION OF THE xDHI(T) DUCT HEATER – FIG. 1

- The ventilation ducts on both sides of the duct heater must be sufficiently supported, based on the weight of the unit.
- Cut an opening in the duct according to the dimensions of the duct heater. Allow for a 1/8 in. (32 mm) tolerance for the opening you have cut out.
- Fix the duct heater using metal screws and seal the joints and openings.
- For the maintenance or repair of the duct heater and to permit removal of the duct heater or its elements, keep a distance equal to or greater than the depth dimension W+ control box + 12 in. (30 cm) between the control box and obstructions.

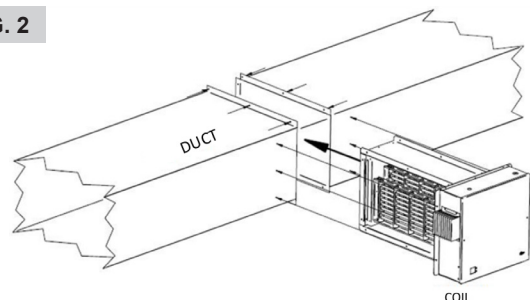
FIG. 1

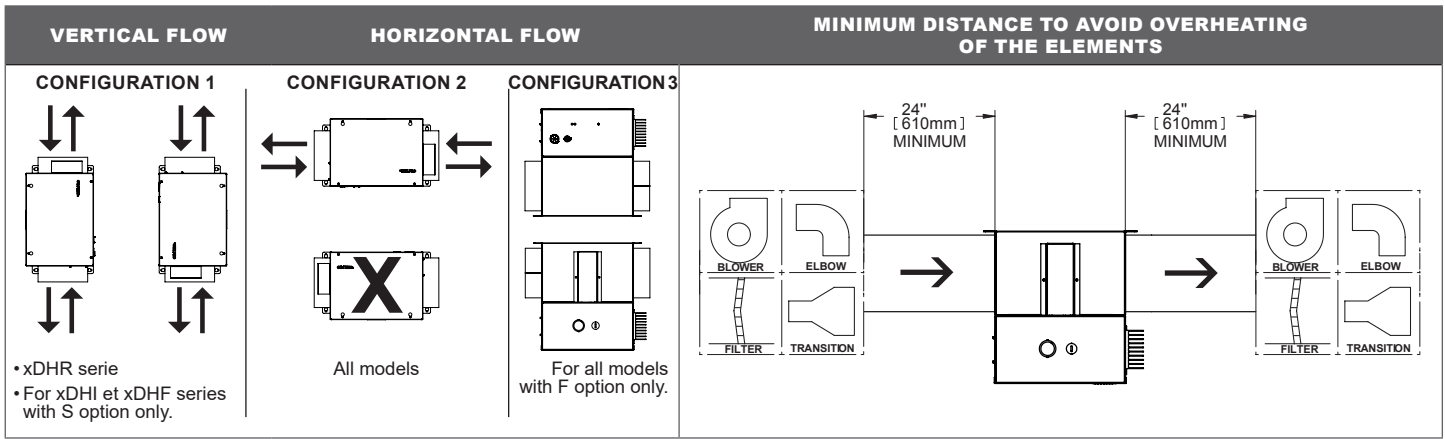


MECHANICAL INSTALLATION OF THE xDHF(T) DUCT HEATER – FIG. 2

- On the two duct openings that face each other, bend the flanges outward so as to fix the corresponding flanges of the duct heater.
- Fix the flanges of the duct heater to those of the duct by using metal screws.
- Seal the joints.

FIG. 2



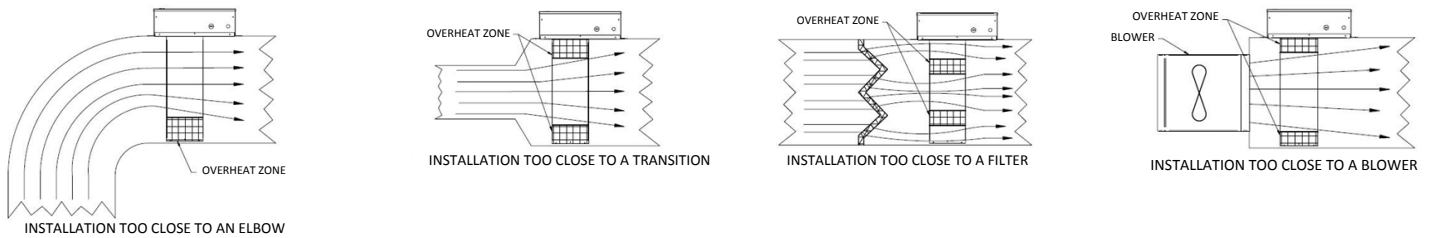


GOOD PRACTICES FOR MECHANICAL INSTALLATION – FIG. 3

The duct heater must be installed in a location where you can assure the air will flow over all of elements. If this is not the case, localized overheating could occur and lead to premature failure of one or more elements. See FIG. 3 for a few examples on where the air supply may be problematic.

FIG. 3

TYPES OF INSTALLATION TO AVOID



IMPORTANT NOTES

- Respect the 24 in. (61 cm) minimum distance to ensure proper operation.
- All of the insertion type duct heaters can be installed in ducts containing UP TO 1/2 IN. (12.7 MM) OF INSULATION providing that the unit's size corresponds to the interior size of the insulated duct.
- FOR INSULATION THICKNESS GREATER THAN 1/2 IN. (12.7 MM), A COLD SECTION MUST BE SPECIFIED WHEN ORDERING.
- SPECIFY INSULATION THICKNESS WHEN ORDERING.
- The number of watts per square foot of surface is calculated within the metal frame surrounding the heating elements.

ELECTRICAL INSTALLATION

Carefully read the name plate and consult the wiring diagram before you start wiring. Disconnect all power sources before making any electrical connections.

ELECTRICAL SUPPLY

Use insulated conductors rated for 75°C (167°F). Consult the electrical codes applicable in your area to determine the proper wire gauge.

For a 240/208 volt unit powered by 208 V, we recommend that you change the connection of the control transformer to power the electronic board with 24 V. To do this, disconnect the "240" wire from the control transformer and connect it to the "208" wire.

WIRE CONTROL

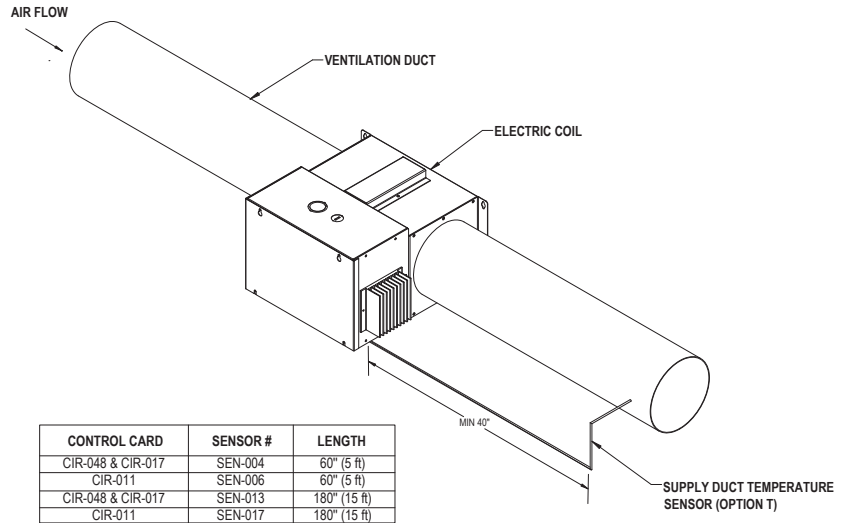
Use low voltage wires (16 to 22 AWG solid wire).

SENSOR (OPTIONAL)

SUPPLY DUCT TEMPERATURE SENSOR (T OPTION)

This sensor must be installed a minimum distance of 40 in. (100 cm) downstream of the coil according to the air flow direction in the duct, as shown.

This sensor measures the air temperature at the coil exit.

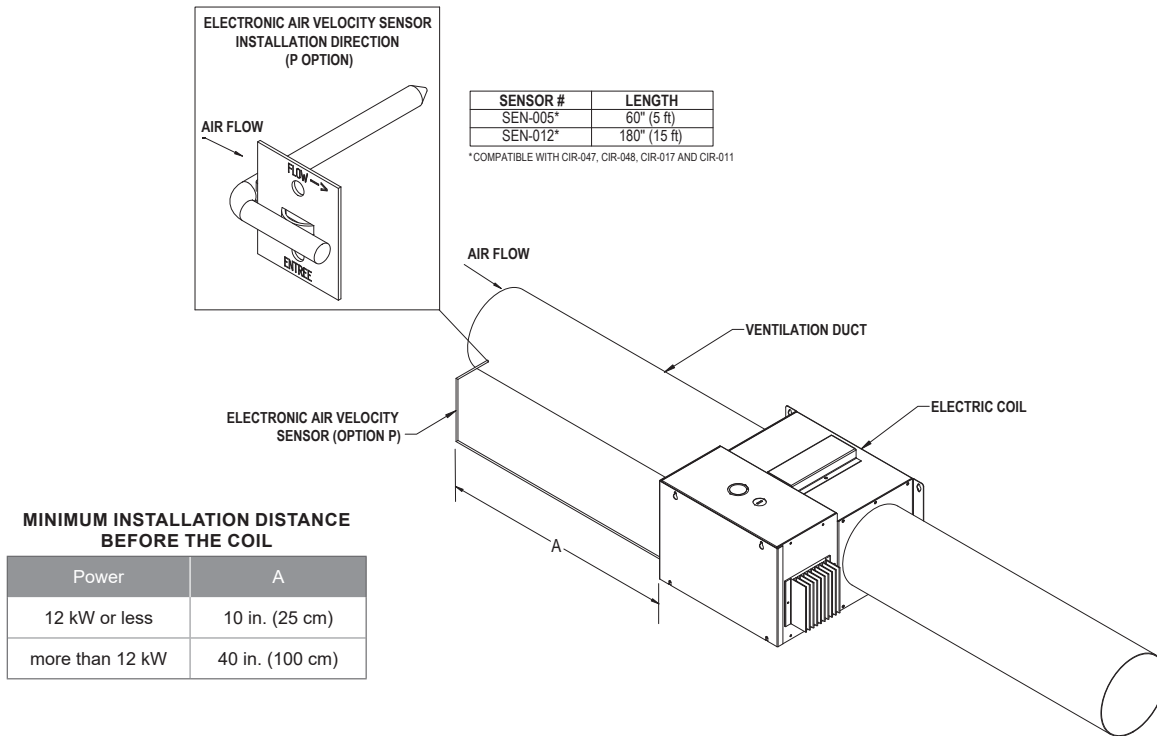


ELECTRONIC AIR VELOCITY SENSOR (P OPTION)

This sensor must be positioned upstream of the coil according to the air flow direction in the ventilation duct, as shown.

This sensor measures air velocity in the duct. If it is less than 100 fpm, the coil stops heating.

Note: For proper operation with a P option installed on a 240/208 unit powered at 208 V, the control transformer connection MUST be changed to power the electronic board with 24 V. To do this, disconnect the wire from the "240" control transformer and connect it to the "208" wire.



BUILT-IN TEMPERATURE LIMIT SENSOR (TT OPTION)

This sensor is integrated in the electric coil's heating element. No installation is required.

The sensor measures the ambient air temperature near the electric coil's elements and modulates the heating time to keep the temperature between 30 and 45°C (86 and 113°F). When the temperature exceeds 50°C (122°F), the coil stops heating until the temperature drops below 30°C (86°F).

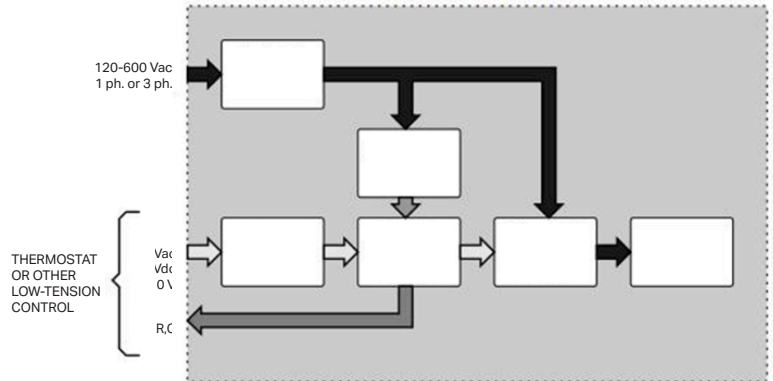
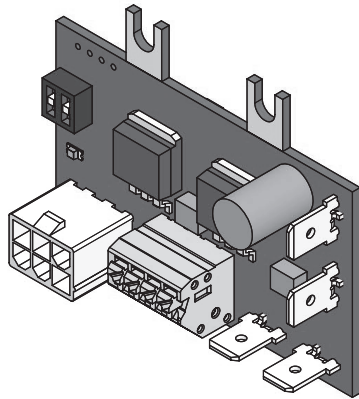
GENERAL OPERATION

For units not equipped with the optional electronic control, operation is supported by the control installed by the client. Stelpro's duct heater may include low or high voltage input terminals. Each input activates one or more elements.

For more information, please see the wiring diagram supplied with the unit.

NOTE: An insufficient air flow (less than 50 cfm/kW), compared to what is required by the power of the duct heater, will result in the triggering of the automatic thermal protection if the duct heater is not equipped with an optional electronic control.

ANNEX 1 - CIR-047



CONTROL CONNECTION

IMPORTANT: The electrical hookup of the heating coil controls must be done according to the technical diagram included with the device.

The CIR-047 electronic control has been designed to receive the heating coil configuration of one power stage. This control allows a low-tension connection with a 0-10 V, 24 Vac (pwm) or 24 Vdc control.

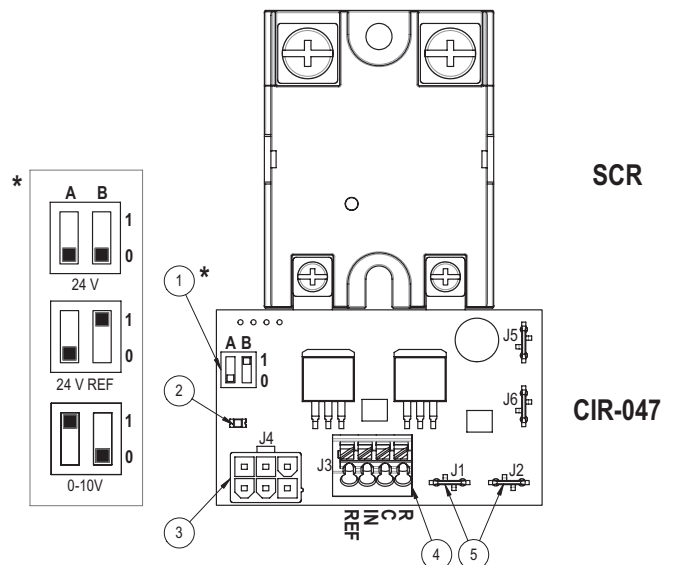
ELECTRONIC CONTROL OPERATION

CIR-047 CONNECTORS

1. Configuration switch input 24 V (AC/DC), 24 V REF (AC/DC), 0-10 V*
2. LED AC power indicator (GREEN)**
3. Electronic air velocity sensor (P option) or built-in temperature limit sensor (TT option) input
4. Thermostat input or controller 0-10 V / 24 Vac (pwm) / 24 Vdc
5. 24 Vac power supply

* Position switches according to the input signal, default setting 24 V.

** Flashes when the air velocity is too low for the elements to work. Electronic air velocity sensor (P option) or built-in temperature limit sensor (TT option).



ANNEX 2 - CIR-048

CONTROL CONNECTION

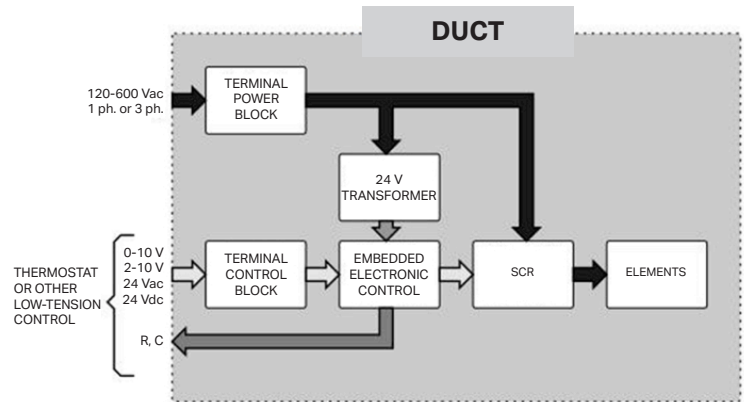
IMPORTANT: The electrical hookup to the heating coil controls must be done according to the technical diagram included with this device.

The CIR-048 electronic control has been designed to receive the heating coil configuration of 1 to 3 power stages. This control allows a low-tension connection 0-10 V, 2-10 V (4-20 mA), 24 Vac (pwm), 24 Vdc with one heating stage.

SELF MODE

This control card allows a standalone operation when IN and R of terminal block are jumped together and dip switch is configured at 24 V. When this mode is in function, the elements are activated and modulated without external control to reach and maintain the set point temperature.

Temperature range: from -4°F to 158°F (-20°C to 70°C)



ELECTRONIC CONTROL OPERATION

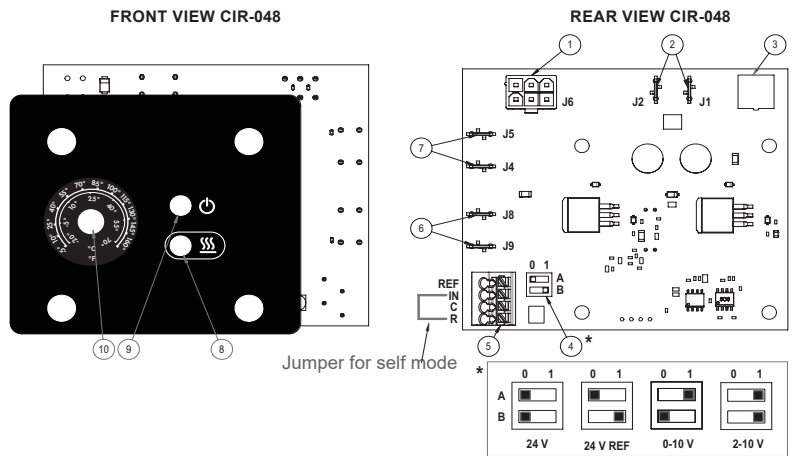
CIR-048 CONNECTORS

1. Electronic air velocity sensor (P option) or built-in temperature limit sensor (TT option) input
2. 24 Vac power supply
3. SCR output / Relays 1, 2, 3
4. Configuration switch input 24 V (AC/DC) / 24 V REF (AC/DC) / 0-10 V / 2-10 V (4-20 mA)*
5. Thermostat input or controller 0-10 V / 2-10 V (4-20 mA) / 24 Vac (pwm) / 24 Vdc
6. Remote duct thermostat input (D070 accessory)**
7. Supply duct temperature sensor input (T option)
8. LED heating indicator (ORANGE)
9. LED power indicator (GREEN)***
10. Supply duct temperature adjustment potentiometer (must be higher than room thermostat setpoint if applicable)

* Position switches according to the input signal, default setting 24 V.

** Please refer to the D070 remote duct thermostat installation guide for the electronic control card diagram. When the remote duct thermostat is connected to the board, the temperature adjustment potentiometer (item 10) is bypassed.

***Flashes when the air velocity is too low for the elements to work, or when there's a problem with the probe (disconnection, breakage, etc.).Applies to electronic air velocity sensor (P option) or built-in temperature limit sensor (TT option).



ANNEX 3 - CIR-017 AND CIR-011

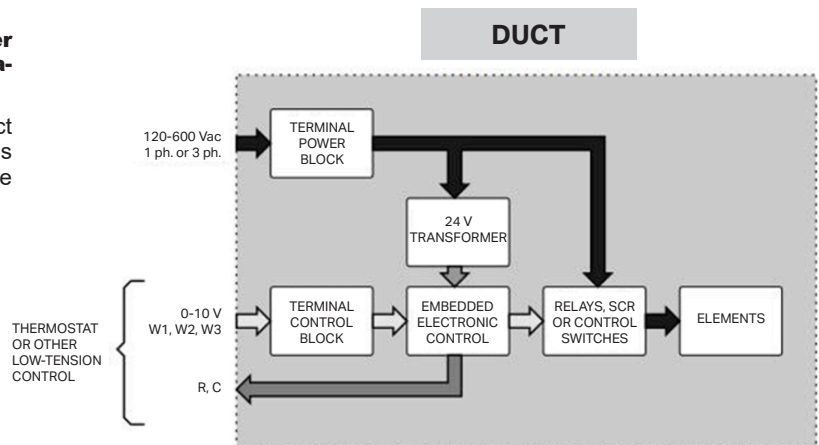
CONTROL CONNECTIONS

IMPORTANT: The electrical hookup of the duct heater controls must be done according to the technical diagram included with the device.

This electronic control has been designed to receive the duct heater configuration of one, two or three power stages. This control allows a low-tension connection with one, two or three heating stages or with a 0-10 V control.

Temperature range:

from -4°F to 158°F (-20°C to 70°C)



ELECTRONIC CONTROL

FAN RELAY

The electronic control can be configured with an output fan relay (R OPTION). This factory set configuration can be deactivated if needed as following:

- Turn on the device and press ▼ at the same time for a few seconds until FAN OFF appears on the electronic control's user interface.

To reactivate this configuration, the following step needs to be done:

- Turn on the device and press ▲ at the same time for a few seconds until FAN ON appears on the electronic control's user interface.

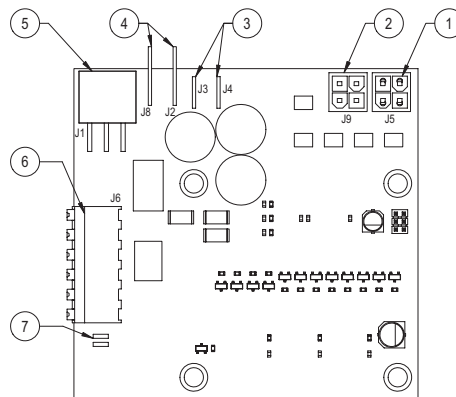
CIR-017 ELECTRONIC CONTROL CONNECTORS

1. Relay outputs (2) and one SCR dedicated output
2. Relay outputs (2)
3. 24 Vac power supply
4. Supply duct temperature sensor (T option) input
5. Electronic air velocity sensor (P option) input
6. Thermostat or controller inputs (W1, W2, W3, 0-10 V)
7. Junction point between C and C-AUX. C-AUX can be isolated from device's transformer by cutting the junction with a flat screwdriver.

FRONT VIEW CIR-017

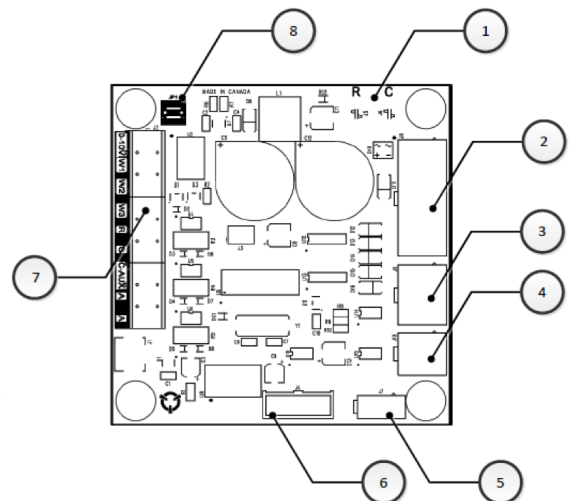


REAR VIEW CIR-017



CIR-011 ELECTRONIC CONTROL CONNECTORS

1. 24 Vac power supply
2. Relay outputs (8) and one SCR dedicated output
3. Electronic air velocity sensor (P option) input
4. Communication expansion connector
5. Supply duct temperature sensor (T option) input
6. Display connector
7. Thermostat or controller inputs (W1, W2, W3, 0-10 V)
8. Junction point between C and C-AUX. C-AUX can be isolated from the device's transformer by cutting the junction with a flat screwdriver.



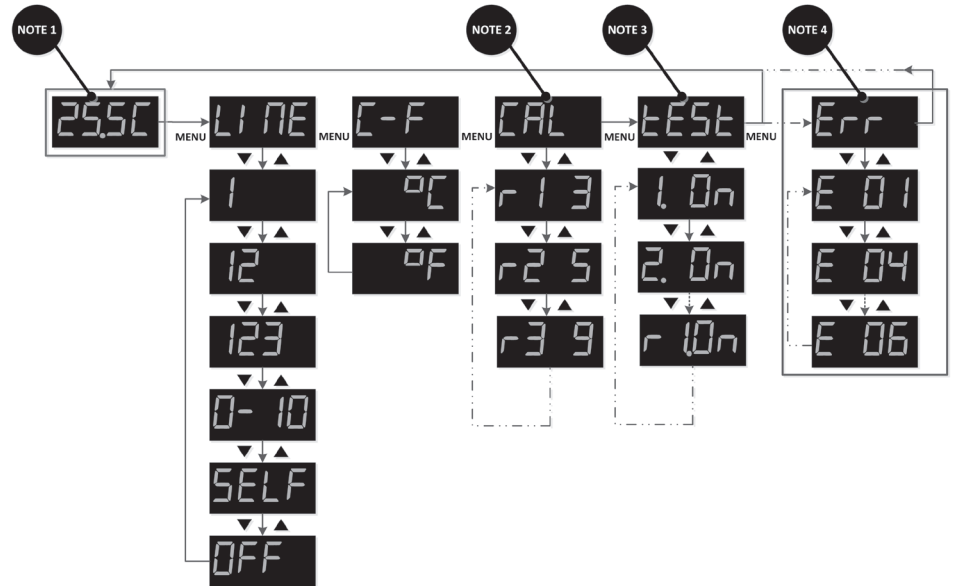
USER INTERFACE

The electronic control is equipped with a user interface that displays the duct temperature, error codes and operating modes. The main menu displays the air temperature after the coil identified according to the direction of air flow.

To navigate between menus, press the MENU button on the user interface. Use the up ▲ and down ▼ buttons to change the value displayed in the selected menu. The value will flash in editing mode. To confirm the desired value displayed, press MENU or wait (30 sec.) and the main menu will automatically be displayed.

To return to the main menu (duct temperature), keep pressing and releasing the MENU button until the main menu displays the duct air temperature, or wait (30 sec.) and the main menu will automatically be displayed.

MENU STRUCTURE



OPERATING MODES

MODE	DESCRIPTION
MENU	
W1 MODE	If the W1 signal is on and air is flowing (NOTE 5), the elements are activated and modulated to reach and maintain the temperature setpoint (duct temperature sensor).
W12 MODE	If the W1 signal is on and air is flowing (NOTE 5), 60% of the elements are activated. If the W1 and W2 signals are on and air is flowing (NOTE 5), all the elements are activated (100%). The duct temperature is always limited to the set point temperature (duct temperature sensor).
W123 MODE	If the W1 signal is on and air is flowing (NOTE 5), 40% of the elements are activated. If the W1 and W2 signals are on and air is flowing (NOTE 5), 70 % of the elements are activated. If the W1, W2 and W3 signals are on and air is flowing (NOTE 5), all the elements are activated (100%). The duct temperature is still limited to the set point temperature (duct temperature sensor).
0-10 V MODE	If there is a signal between 0-10 Vdc and air is flowing (NOTE 5), a percentage of the elements is activated and modulated. The duct temperature is still limited to the set point temperature (duct temperature sensor).
SELF MODE	If air is flowing, the elements are activated and modulated without external control to reach and maintain the set point temperature (power supply temperature sensor after the coil, in the direction of air flow).
OFF MODE	The OFF mode turns the unit off. Warning: The power circuit is still on even when the device is in OFF mode.

NOTE 1: Displayed by default. Indicates the temperature after the coil in the direction of air flow.

NOTE 2: To recalibrate, press and hold down the MENU button for eight seconds. When the CAL menu is selected, the SCR/Relay outputs are identified by r1, r2, r3, etc. The number that follows represents the power of the element in relation to the system (from 0 to 9). Recalibration can take up to five minutes depending on the number of stage power.

NOTE 3: In this menu, the inputs and outputs can be tested using the ▼▲ buttons. The inputs are identified as 1. for W1, 2. for W2, 3. for W3 and 10. for 0-10 V. If a signal is on for the corresponding input, the display will read ON. For the 0-10 V input, a 4 V level is required for a valid condition. If the display reads On, the outputs may be activated one at a time for a maximum of eight seconds. If an output is identified as ON, the corresponding output is activated.

NOTE 4: The ERR error menu only appears when there are one or more system errors. Use the ▼▲ buttons to verify the active error code(s). To delete the resolved errors, press and hold down the MENU button for eight seconds while the ERR menu is selected.

NOTE 5: Connected to the air velocity sensor (optional).

ERROR CODE CHART: CIR-011 AND CIR-017

CODE	DESCRIPTION	CODE	DESCRIPTION
01	RELAY 1 – COIL – DISCONNECTED / GND SHORT CIRCUIT	21	RELAY 1 – ELEMENT – DISCONNECTED
02	RELAY 2 – COIL – DISCONNECTED / GND SHORT CIRCUIT	22	RELAY 2 – ELEMENT – DISCONNECTED
03	RELAY 3 – COIL – DISCONNECTED / GND SHORT CIRCUIT	23	RELAY 3 – ELEMENT – DISCONNECTED
04	RELAY 4 – COIL – DISCONNECTED / GND SHORT CIRCUIT	24	RELAY 4 – ELEMENT – DISCONNECTED
05	RELAY 5 – COIL – DISCONNECTED / GND SHORT CIRCUIT	25	RELAY 5 – ELEMENT – DISCONNECTED
06	RELAY 6 – COIL – DISCONNECTED / GND SHORT CIRCUIT	26	RELAY 6 – ELEMENT – DISCONNECTED
07	RELAY 7 – COIL – DISCONNECTED / GND SHORT CIRCUIT	27	RELAY 7 – ELEMENT – DISCONNECTED
08	RELAY 8 – COIL – DISCONNECTED / GND SHORT CIRCUIT	28	RELAY 8 – ELEMENT – DISCONNECTED
11	RELAY 1 – COIL – OVERLOAD	29	SSR – ELEMENT – DISCONNECTED
12	RELAY 2 – COIL – OVERLOAD	40	AIR VELOCITY SENSOR (COLD THERMISTOR) - DISCONNECTED
13	RELAY 3 – COIL – OVERLOAD	41	AIR VELOCITY SENSOR (COLD THERMISTOR) - SHORT CIRCUIT
14	RELAY 4 – COIL – OVERLOAD	43	AIR VELOCITY SENSOR (HOT THERMISTOR) - DISCONNECTED
15	RELAY 5 – COIL – OVERLOAD	44	AIR VELOCITY SENSOR (HOT THERMISTOR) - SHORT CIRCUIT
16	RELAY 6 – COIL – OVERLOAD	46	AIR VELOCITY SENSOR - DISCONNECTED
17	RELAY 7 – COIL – OVERLOAD	47	AIR VELOCITY SENSOR - SHORT CIRCUIT
18	RELAY 8 – COIL – OVERLOAD	48	AIR VELOCITY SENSOR - OVERLOAD
		49	AIR VELOCITY SENSOR - DEFECTIVE

TROUBLESHOOTING/xDHXXX

PROBLEM	DEFECTIVE PART OR PART TO CHECK
The unit does not work	<ul style="list-style-type: none"> Faulty main power supply connection Open main circuit breaker, fuse or control switch No thermostat demand (defective thermostat) Defective transformer Open fuse in secondary transformer winding
The unit has power but the elements do not work	<ul style="list-style-type: none"> Defective relay or contact switch Defective electronic controller Defective transformer Open fuse in secondary transformer winding Open thermal protection with automatic or manual reset
The unit runs and/or cycles constantly	<ul style="list-style-type: none"> Defective relay or contact switch
An element runs and/or cycles constantly	<ul style="list-style-type: none"> Defective relay or contact switch
The unit overheats and/or the elements cycle when there is a heating demand	<ul style="list-style-type: none"> Insufficient ventilation
The breaker trips when the unit is turned on	<ul style="list-style-type: none"> Faulty power supply connections Voltage higher than that indicated on the nameplate
Unable to reach the desired room temperature	<ul style="list-style-type: none"> One or more defective elements Defective thermostat, wrong thermostat setting, positioning or wiring Voltage lower than that indicated on the nameplate Heat loss in the building greater than the heating capacity of the unit Defective relay or contact switch Open thermal protection with automatic or manual reset
The electronic display does not light up	<ul style="list-style-type: none"> Faulty power supply connections Open main circuit breaker, fuse or control switch Defective transformer Open fuse in secondary transformer winding Defective electronic card Defective electronic display

AUTOMATIC DIAGNOSTIC

The electronic controls have the capacity to detect operational malfunctions such as a defective contact switch or relay around the coil (open circuit), damaged relay contacts or contact switches, damaged elements and defective or poorly connected sensors. If an abnormal condition is detected, the control generates an error code corresponding to the system fault and displays this code on the screen.

FOR ERROR CODE DEFINITIONS, PLEASE REFER TO THE ERROR CODE CHART ON PAGE 5 OF THIS DOCUMENT.

TYPICAL STELPRO CONTROL CONNECTIONS FOR CUSTOMER THERMOSTATS

TERMINAL BLOCK DEFINITION:

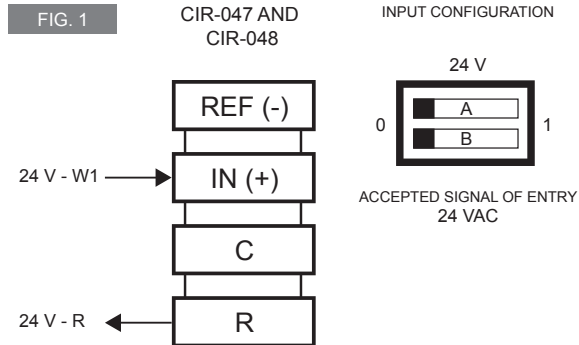
REF: Ground DC only

IN: Input signal : AC or DC

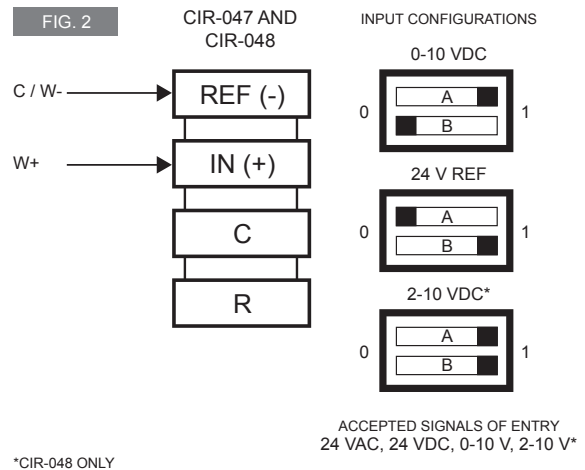
C: Ground AC or DC

R : 24Vac Output Supply

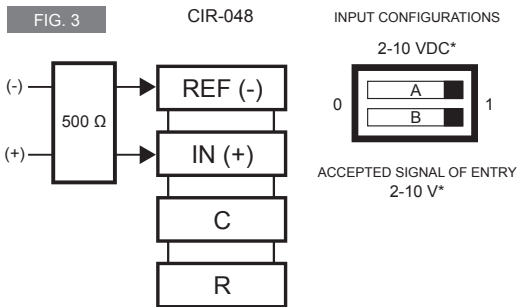
CONNECTION TO A BIMETAL THERMOSTAT



CONNECTION TO A THERMOSTAT (AC/DC SIGNALS)



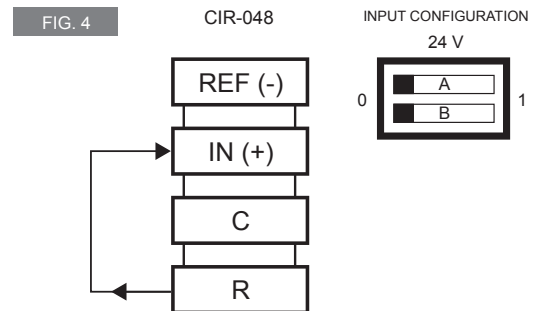
CONNECTION TO A THERMOSTAT (4-20 mA SIGNAL)



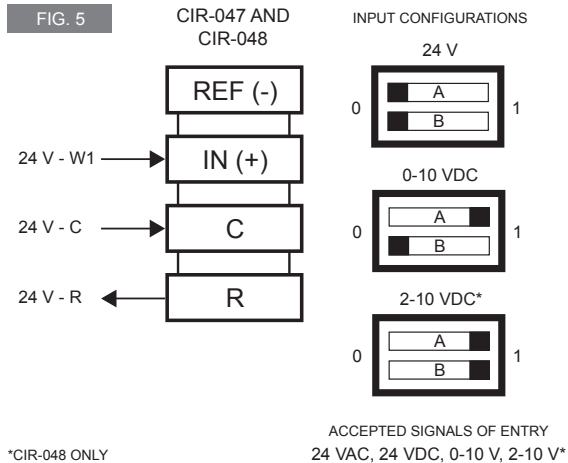
*4-20mA signal converted to 2-10VDC signal (voltage differential across 500 Ohm resistor).

Notes:
a) 500 Ohm resistor not included.
b) Loop voltage supplied by others.

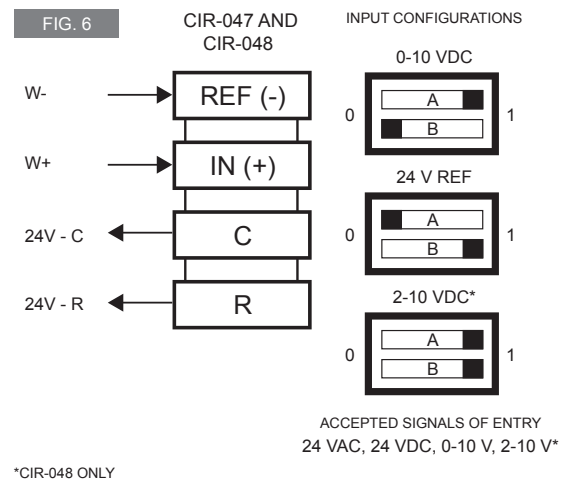
CONNECTION FOR STANDALONE OPERATION



CONNECTION TO A THREE-WIRE, ONE-STAGE THERMOSTAT (W1)



CONNECTION TO A THERMOSTAT WITH ELECTRIC REFERENCE ISOLATED FROM COMMON



Please refer to your thermostat's installation guide to validate the connection. For any connection issues, contact the Technical Services mentioned on page 13.

TYPICAL STELPRO CONTROL CONNECTIONS FOR CUSTOMER THERMOSTATS

TERMINAL BLOCK DEFINITION:

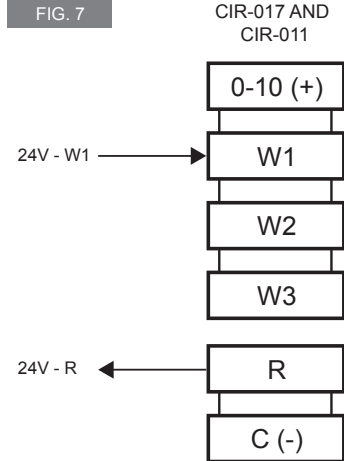
0-10 (+): Input signal 0-10Vdc (positive terminal)

W1, W2, W3: Input signal : AC

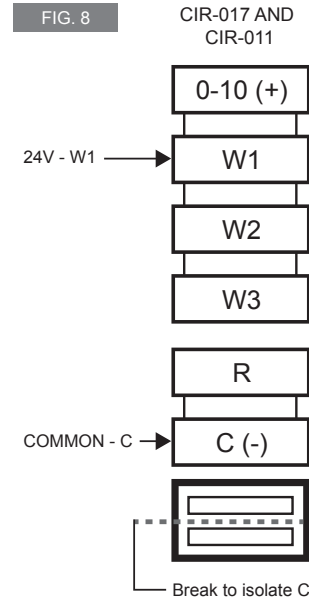
R : 24Vac Output Supply

C (-): Ground AC or DC

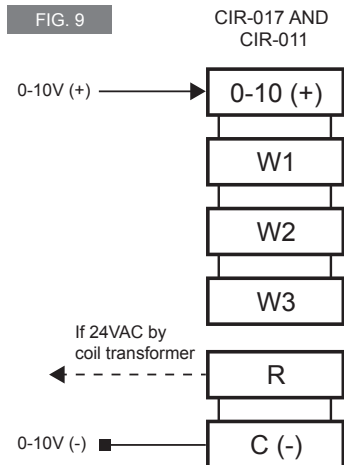
CONNECTION TO A BIMETAL THERMOSTAT



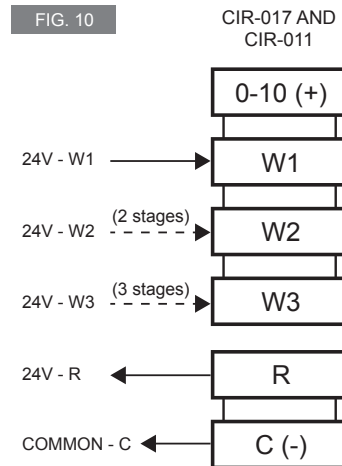
CONNECTION TO A THERMOSTAT ON THE CLIENT'S TRANSFORMER



CONNECTION TO A 0-10 VDC THERMOSTAT



CONNECTION TO A THREE-TO-FIVE WIRE THERMOSTAT FOR ONE-, TWO- OR THREE-STAGE CONTROL



Please refer to your thermostat's installation guide to validate the connection. For any connection issues, contact the Technical Services mentioned on page 13.

MAINTENANCE

CAUTION: Turn off power to the unit at the breaker/fuse before performing any repair or cleaning.

It is recommended to visually inspect the duct heater periodically to spot any anomalies that might appear over time. For example: an accumulation of dust, signs of overheating on the chassis of the duct heater, water marks or rust on the control box, oxidation or corrosion on electrical connections.

ROUTINE MAINTENANCE

The only necessary routine maintenance consists in checking all electrical connections at least once a year or per season of use to ensure they are properly fastened.

FILTERS

All filters in the air duct must be kept clean to allow proper air circulation. Make sure that there are no combustible materials in the duct or objects that could restrict air flow over the heating elements.

POINTS TO VERIFY

1. Verify that all connections are properly tightened.
2. Verify the connections and proper functioning of the contactors and/or relays.
3. Verify the fuses, if applicable.

INSPECTION OF FRESH AIR INLETS

For duct heaters installed near fresh air intakes, use storm-proof louvres. Inspect the openings of the louvres regularly to ensure an adequate air flow.

LIMITED WARRANTY LIMITED WARRANTY LIMITED WARRANTY LIMITED WARRANTY LIMITED WARRANTY

LIMITED WARRANTY

Subject to the legal warranties relating to the quality and durability of goods provided under the Consumer Protection Act: the manufacturer warrants the coils of the IDHx, ODHx, and SDHx series for a period of 3 years from the date of purchase, against any defects in materials, workmanship, or operation. This warranty applies to the original purchaser only; it is non-transferable and may not be extended or expanded.

WARRANTY LIMITATIONS, EXCLUSIONS, AND CONDITIONS

This warranty is exclusive and in lieu of all other warranties (except property rights), express or implied. Furthermore, the manufacturer expressly disclaims and excludes any implied warranty of merchantability or fitness for a particular purpose.

The manufacturer's liability is limited to what is set forth in this warranty. The manufacturer shall under no circumstances be subject to any other obligation or liability whatsoever, whether arising from contract, tort, or any other legal theory, with respect to the goods and services it offers, nor shall it be held responsible for any commitment, act, or omission in this regard. Without limiting the generality of the foregoing, the manufacturer expressly disclaims any liability for: property damage or bodily injury; penalties; special or punitive damages; loss of profits or use; cost of capital; cost of replacement products, facilities, or services; shutdowns; slowdowns; or any other type of financial loss. The manufacturer also disclaims any liability for claims by customers or any third party for such damages. Furthermore, the manufacturer refuses to assume any indirect, incidental, or consequential damages of any nature whatsoever.

This warranty does not cover damage or breakage resulting from:

- 1) Improper installation or inadequate storage;
- 2) Abusive or abnormal use, misuse, lack of maintenance, inadequate maintenance (other than that prescribed by the manufacturer), or use other than that for which the unit was designed;
- 3) A natural disaster or event beyond the manufacturer's control, including but not limited to hurricane, tornado, earthquake, terrorist attack, war, power surge, flood, water damage, etc. This warranty does not cover accidental or intentional damage, or damage caused by negligence on the part of the user or owner of the product. It also does not cover costs related to disconnecting, transporting, or installing the product.

This warranty is limited to repair of the unit, replacement, or refund of the purchase price, at the manufacturer's discretion. Parts replaced or repaired with the manufacturer's written authorization during the warranty period will themselves be warranted for the remaining duration of the original part's warranty. This warranty will be void and the manufacturer may refuse any claim if the unit has been modified in any way without the manufacturer's prior written authorization, or if the numbers displayed on the nameplate have been removed or altered. This warranty does not cover scratches, dents, corrosion, or discoloration caused by excessive heat, chemical cleaning products, or abrasive agents. It also does not cover damage or breakage occurring during transportation of the unit.

Some states or provinces do not allow limitations on the duration of an implied warranty, and others do not allow the exclusion or limitation of indirect or consequential damages. Therefore, the above limitations and exclusions may not apply to you. This warranty gives you specific legal rights. You may also have other rights, which may vary from state to state and province to province.

CLAIM PROCEDURE

If the unit becomes defective during the warranty period, you must disconnect its power supply at the main panel and contact 1) your installer or supplier, 2) your service center, or 3) the manufacturer's customer service, who will advise you of the procedure to follow. In all cases, you must have a copy of your invoice and provide the information shown on the product's nameplate. The manufacturer reserves the right to inspect or have inspected any product or part before honoring a claim. The manufacturer also reserves the right to replace the unit, refund its purchase price, or repair or have repaired a defective part. Please note that repairs carried out during the warranty period must be pre-authorized in writing by the manufacturer and performed by a person authorized by the manufacturer.

Before returning a product to the factory, you must obtain a return authorization number (RMA) from the manufacturer. This can be obtained by calling customer service (see numbers below). The authorization number must be clearly written on the package, or it will be refused.



ADDRESS OF THE PARTY PROVIDING THIS WARRANTY:

180, 3rd Avenue, L'Islet (Québec) G0R 2C0 CANADA — Phone: 1 800 463-7043 or 418 247-3947

LIMITED WARRANTY LIMITED WARRANTY LIMITED WARRANTY LIMITED WARRANTY LIMITED WARRANTY

CUSTOMER SERVICE

IF YOU HAVE ANY QUESTIONS ABOUT THIS PRODUCT, PLEASE CONTACT OUR TECHNICAL SUPPORT TEAM:

 OUELLET	 innovair [®]		°STELPRO
1 800 463-7043	CAN: 1 800 567-2733	US: 305 463-9998	1 800 363-3414 - electricians 1 866 766-6020 - consumers
ouellet.com	dettson.com	innovair.com	stelpro.com

