

ODHR Round Electric Duct Heater

Series



Features

Finish	Unpainted galvanized steel
Voltage	120V, 208V, 240V, 347V, 1 phase
Construction	Heavy-duty, corrosion-resistant, unpainted galvanized steel enclosure, 22- and 20-gauge
	Easy-access junction box door
	Double thermal protection with manual and automatic reset for each element
	Built-in temperature limit sensor, connected to the circuit board (sensor TT)
	5ft. (1.5m) supply duct temperature sensor included (sensor T)
	Electronic air-flow sensor (sensor P). Optional kit available: KIT-SEN-005
Elements	Open coil element, nickel-chrome
	0.5kW to 10kW heating capacities
	SCR-modulated elements to maintain a constant temperature using only the energy required
Control	5 control compatibility options with these signals: <ul style="list-style-type: none"> • Thermostat (24VCA) • Thermostat or controller (0-10VDC) • Thermostat or controller (PWM) • Thermostat or controller (2-10V) • Thermostat or controller (24VCC)



Installation	Round duct from 5in. to 12in. (127mm to 305mm)
	Vertical, horizontal, upward or downward air flow
	Designed and approved for zero-clearance to combustible materials
Benefits	Application versatility: suitable for preheating ventilation air as well as space heating
	Reliable performance: supplies the energy required to quickly reach the desired temperature
	Optimized efficiency: the modulation system and temperature sensor guarantee precise and stable output
	Adaptability: available in multiple sizes and capacities to meet different needs
Warranty	3-year warranty
Application	Residential, commercial and institutional
	Suitable for new installations and retrofits

Models - Technical Specifications

Product #	Power (Watts)	Voltage (volts)	Weight		Minimum flow* cfm/kW	Qty
			kg	lb		
5 in. Duct (Height: 8 in., depth: 12 11/16 in.)						
ODHR0500502	500	120	6,8	15	50	
ODHR0500500	500/375	240/208	6,8	15	50	
ODHR0500507	500	347	6,8	15	50	
ODHR0501002	1000	120	6,8	15	50	
ODHR0501000	1000/750	240/208	6,8	15	50	
ODHR0501007	1000	347	6,8	15	50	
ODHR0501502	1500	120	6,8	15	50	
ODHR0501500	1500/1125	240/208	6,8	15	50	
ODHR0501507	1500	347	6,8	15	50	
ODHR0502002	2000	120	6,8	15	50	
ODHR0502000	2000/1500	240/208	6,8	15	50	
ODHR0502007	2000	347	6,8	15	50	
ODHR0502500	2500	240/208	6,8	15	50	
ODHR0502502	2500	120	6,8	15	50	
ODHR0502507	2500	347	6,8	15	50	
ODHR0503000	3000/2250	240/208	6,8	15	50	
ODHR0503007	3000	347	6,8	15	50	
6 in. Duct (Height: 8 in., depth: 12 11/16 in.)						
ODHR0600502	500	120	7,3	16	50	
ODHR0600500	500/375	240/208	7,3	16	50	
ODHR0600507	500	347	7,3	16	50	
ODHR0601002	1000	120	7,3	16	50	
ODHR0601000	1000/750	240/208	7,3	16	50	
ODHR0601007	1000	347	7,3	16	50	
ODHR0601502	1500	120	7,3	16	50	
ODHR0601500	1500/1125	240/208	7,3	16	50	
ODHR0601507	1500	347	7,3	16	50	
ODHR0602002	2000	120	7,3	16	50	
ODHR0602000	2000/1500	240/208	7,3	16	50	
ODHR0602007	2000	347	7,3	16	50	
ODHR0602500	2500	240/208	7,3	16	50	
ODHR0602502	2500	120	7,3	16	50	
ODHR0602507	2500	347	7,3	16	50	

* Used with CIR-048 only
Add -DIS for disconnect switch models

Product #	Power (Watts)	Voltage (volts)	Weight		Minimum flow* cfm/kW	Qty
			kg	lb		
6 in. Duct (Height: 8 in., depth: 12 11/16 in.) (Continued)						
ODHR0603000	3000/2250	240/208	7,3	16	50	
ODHR0603007	3000	347	7,3	16	50	
ODHR0604000	4000/3000	240/208	7,3	16	50	
ODHR0604007	4000	347	7,3	16	50	
ODHR0605000	5000/3750	240/208	7,3	16	50	
ODHR0605007	5000	347	7,3	16	50	
8 in. Duct (Height: 9 1/4 in., depth: 15 in.)						
ODHR0800500	500/375	240/208	7,5	17	50	
ODHR0800507	500	347	7,5	17	50	
ODHR0801000	1000/750	240/208	7,5	17	50	
ODHR0801007	1000	347	7,5	17	50	
ODHR0801500	1500/1125	240/208	7,5	17	50	
ODHR0801507	1500	347	7,5	17	50	
ODHR0802000	2000/1500	240/208	7,5	17	50	
ODHR0802007	2000	347	7,5	17	50	
ODHR0803000	3000/2250	240/208	7,5	17	50	
ODHR0803007	3000	347	7,5	17	50	
ODHR0804000	4000/3000	240/208	7,5	17	50	
ODHR0804007	4000	347	7,5	17	50	
ODHR0805000	5000/3750	240/208	7,5	17	50	
ODHR0805007	5000	347	7,5	17	50	
ODHR0806000	6000/4500	240/208	7,5	17	50	
ODHR0806007	6000	347	7,5	17	50	

* Used with CIR-048 only
Add -DIS for disconnect switch models

Models - Technical Specifications

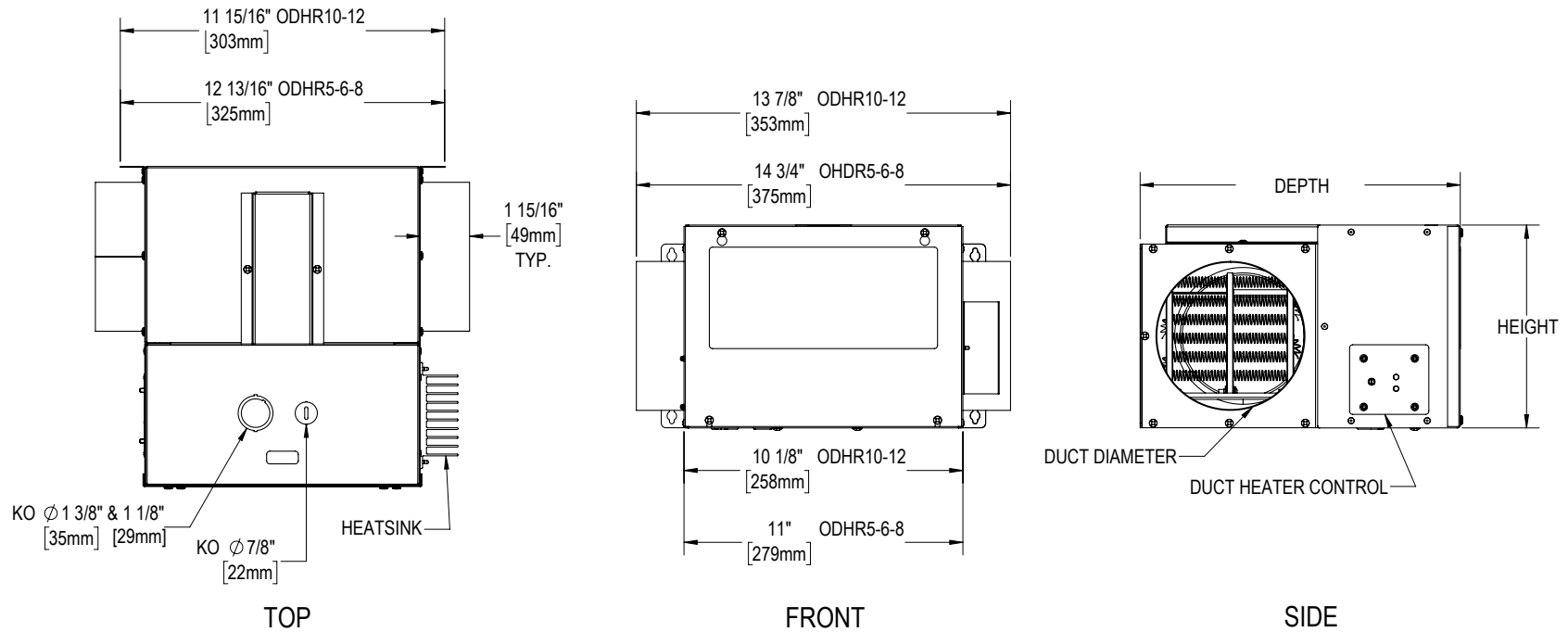
Product #	Power (Watts)	Voltage (volts)	Weight		Minimum flow* cfm/kW	Qty
			kg	lb		
10 in. Duct (Height: 11 1/4 in., depth: 17 1/4 in.)						
ODHR1000500	500/375	240/208	9,1	20	50	
ODHR1000507	500	347	9,1	20	50	
ODHR1001000	1000/750	240/208	9,1	20	50	
ODHR1001007	1000	347	9,1	20	50	
ODHR1001500	1500/1125	240/208	9,1	20	50	
ODHR1001507	1500	347	9,1	20	50	
ODHR1002000	2000/1500	240/208	9,1	20	50	
ODHR1002007	2000	347	9,1	20	50	
ODHR1003000	3000/2250	240/208	9,1	20	50	
ODHR1003007	3000	347	9,1	20	50	
ODHR1004000	4000/3000	240/208	9,1	20	50	
ODHR1004007	4000	347	9,1	20	50	
ODHR1005000	5000/3750	240/208	9,1	20	50	
ODHR1005007	5000	347	9,1	20	50	
ODHR1006000	6000/4500	240/208	9,1	20	50	
ODHR1006007	6000	347	9,1	20	50	
ODHR1008000	8000/6000	240/208	9,1	20	50	
ODHR1008007	8000	347	9,1	20	50	
ODHR1010000	10 000/7500	240/208	9,1	20	50	
ODHR1010007	10 000	347	9,1	20	50	

* Used with CIR-048 only
Add -DIS for disconnect switch models

Product #	Power (Watts)	Voltage (volts)	Weight		Minimum flow* cfm/kW	Qty
			kg	lb		
12 in. Duct (Height: 13 1/4 in., depth: 19 1/4 in.)						
ODHR1200500	500/375	240/208	10,4	23	50	
ODHR1200507	500	347	10,4	23	50	
ODHR1201000	1000/750	240/208	10,4	23	50	
ODHR1201007	1000	347	10,4	23	50	
ODHR1201500	1500/1125	240/208	10,4	23	50	
ODHR1201507	1500	347	10,4	23	50	
ODHR1202000	2000/1500	240/208	10,4	23	50	
ODHR1202007	2000	347	10,4	23	50	
ODHR1202500	2500	240/208	10,4	23	50	
ODHR1202507	2500	347	10,4	23	50	
ODHR1203000	3000/2250	240/208	10,4	23	50	
ODHR1203007	3000	347	10,4	23	50	
ODHR1204000	4000/3000	240/208	10,4	23	50	
ODHR1204007	4000	347	10,4	23	50	
ODHR1205000	5000/3750	240/208	10,4	23	50	
ODHR1205007	5000	347	10,4	23	50	
ODHR1206000	6000/4500	240/208	10,4	23	50	
ODHR1206007	6000	347	10,4	23	50	
ODHR1208000	8000/6000	240/208	10,4	23	50	
ODHR1208007	8000	347	10,4	23	50	
ODHR1210000	10 000/7500	240/208	10,4	23	50	
ODHR1210007	10 000	347	10,4	23	50	

* Used with CIR-048 only
Add -DIS for disconnect switch models

Technical drawings



Thermostats and sensors for electric duct heaters

Product # Kit	Description	Qté
D010	24V thermostat	
D070	Remote duct thermostat (use with CIR-048 only)	
ET120	0-10V electronic thermostat (Celsius only)	
ET180	24V electronic thermostat (Celsius only)	
KIT-SEN-005	Electronic air-flow sensor	

Other

Type	Quantity	Model and description Additional information	Volts	Phase	Watts	Length mm/in	Colour/installation information

Specifications are subject to change without notice

Contact details

Project:		Approval / Information
Consulting Engineer:		
Electrical contractor:		
Supplier:		
Date:		
Ouellet reference:		
Comments:		