

INSTALLATION KIT — RECESSED RADIANT PANEL

USER GUIDE



INS-ORP-RB_SRP-RB_0422

THANK YOU FOR YOUR PURCHASE!
NEED ASSISTANCE? CONTACT CUSTOMER SERVICE



THIS UNIT COMPLIES
WITH CSA STANDARDS

INSTALLATION INSTRUCTIONS

1. Make sure that you have a rectangular hole in the ceiling (Table 1, Fig. 1) and wood framing of the same dimensions (Fig. 2).

MODELS	RECOMMENDED CUT-OUT DIMENSIONS		OVERALL DIMENSIONS	
	A	B	C	D
1448	15.25 in (387 mm)	49.08 in (1247 mm)	16.02 in (406.8 mm)	49.92 in (1268 mm)
1460	15.25 in (387 mm)	61.08 in (1551 mm)	16.02 in (406.8 mm)	61.98 in (1574.3 mm)
2424	25.12 in (638 mm)	25.12 in (638 mm)	26 in (661 mm)	26 in (661 mm)
2448	25.12 in (638 mm)	49.08 in (1247 mm)	26 in (661 mm)	49.92 in (1268 mm)

Table 1

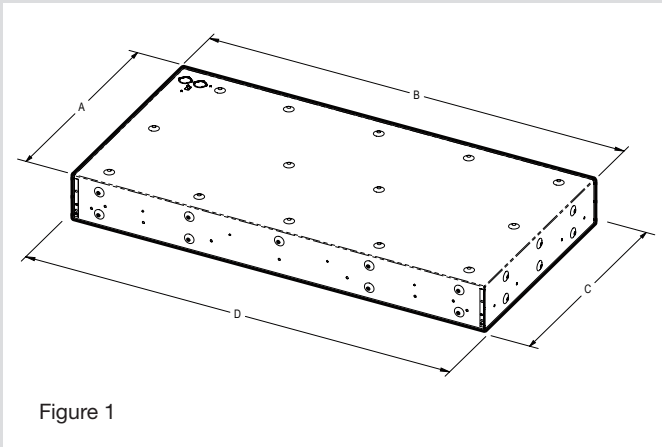


Figure 1

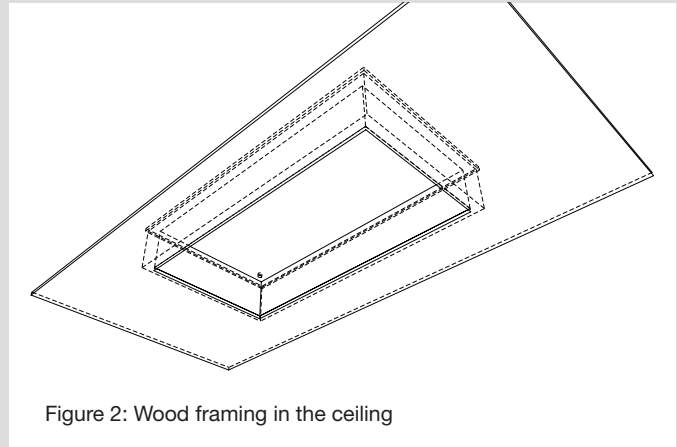


Figure 2: Wood framing in the ceiling

2. Feed the wiring through the junction box of the recessed housing. (Fig. 3).

3. Insert the box into the hole and secure it using No. 8 screws (not included) into the mounting bosses. (Fig. 4).

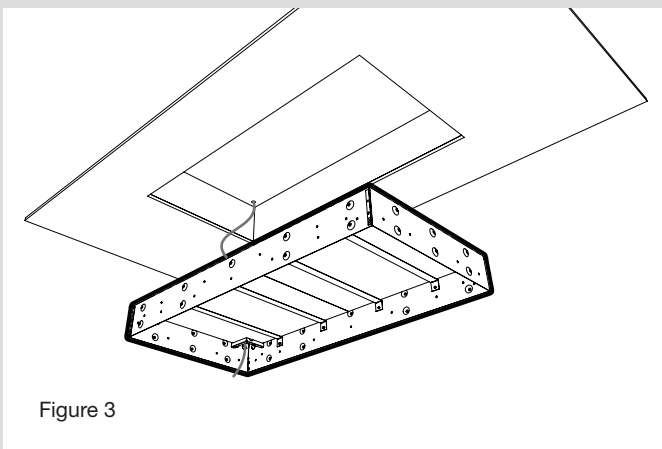


Figure 3

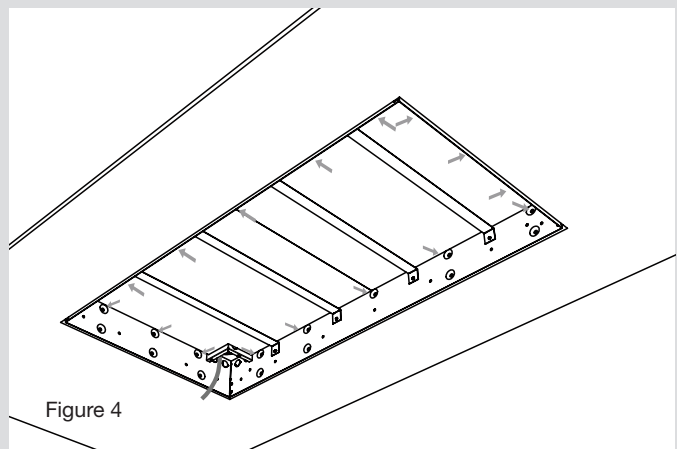


Figure 4

INSTALLATION INSTRUCTIONS

4. Identify the side rails and end caps (Fig. 5).

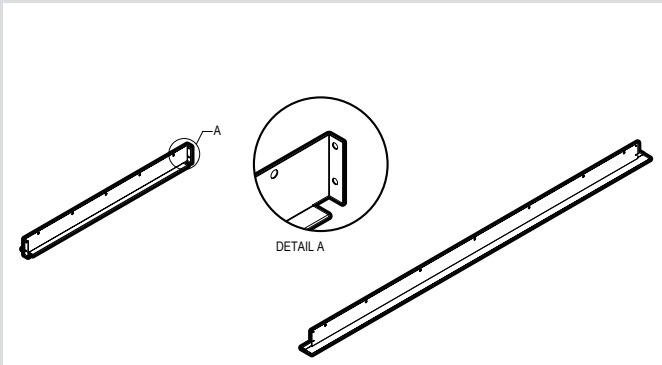


Figure 5

5. Screw the side rails into the housing using No. 8 screws (not included). Ensure that the lip fits snugly against the outside of the hole (Fig. 6).

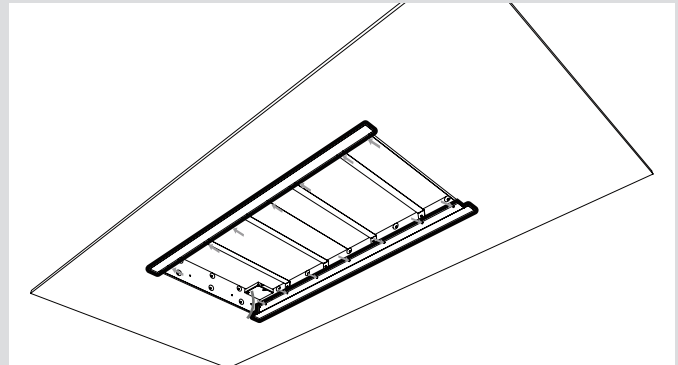


Figure 6

6. Connect the electrical wiring (Fig. 8) and screw the junction box cover back on (Fig. 7).

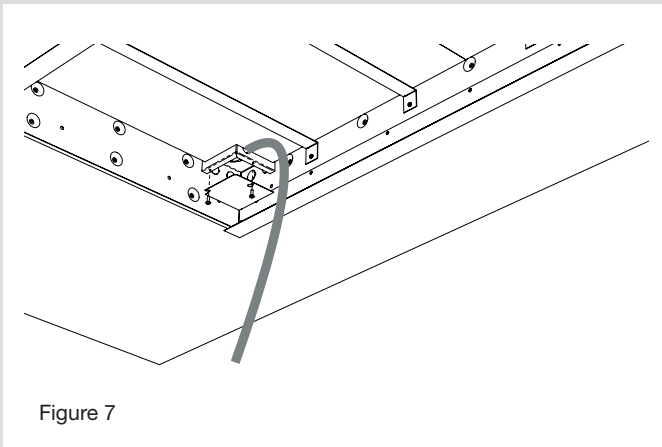


Figure 7

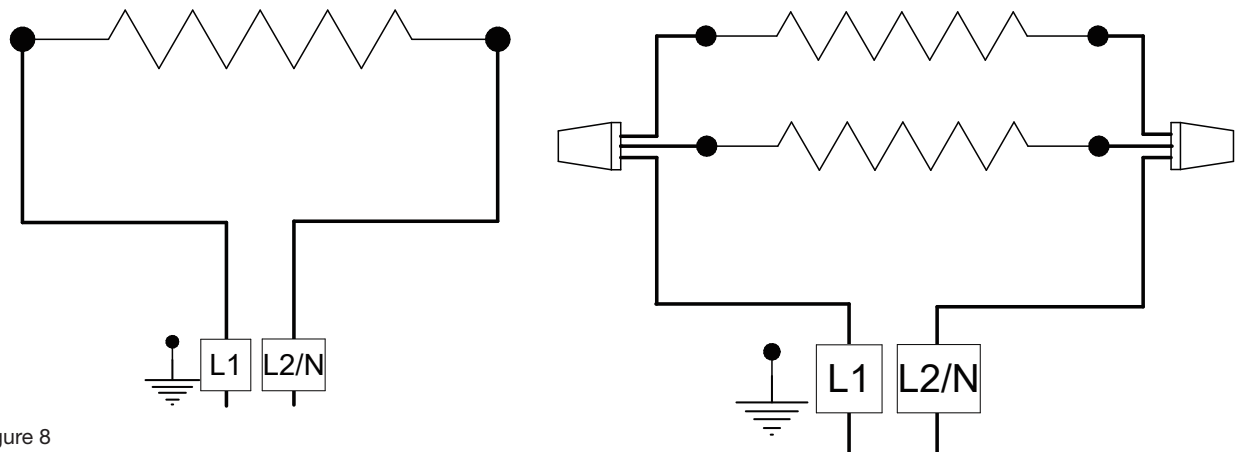
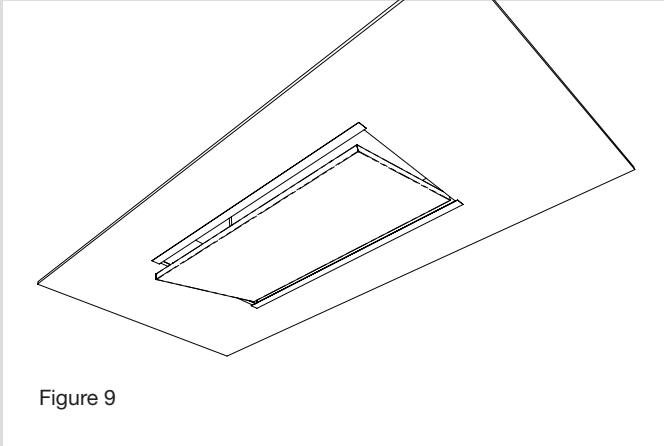


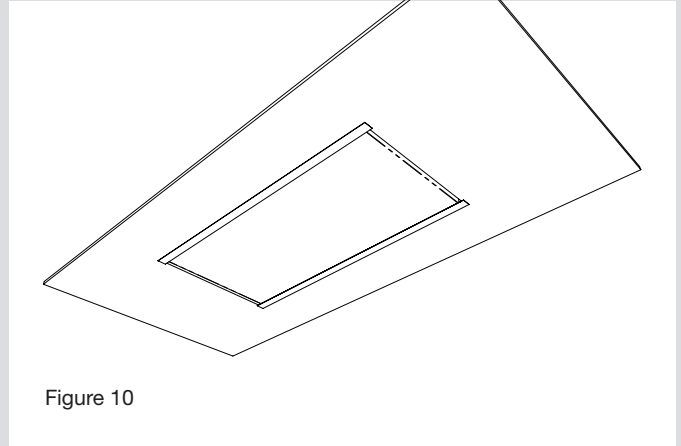
Figure 8

INSTALLATION INSTRUCTIONS

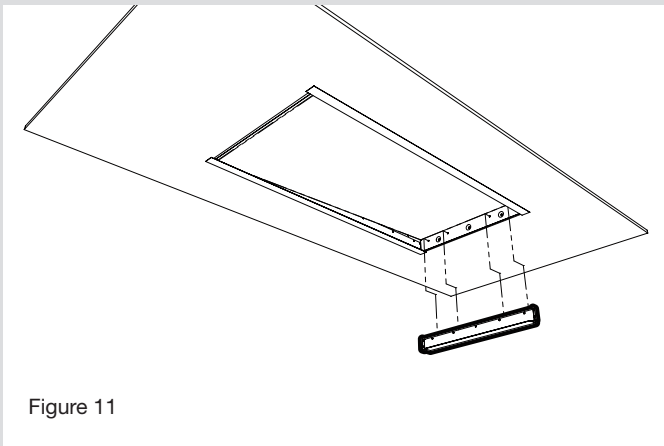
7. Insert the tile into the housing, starting from one of the sides (Fig. 9).



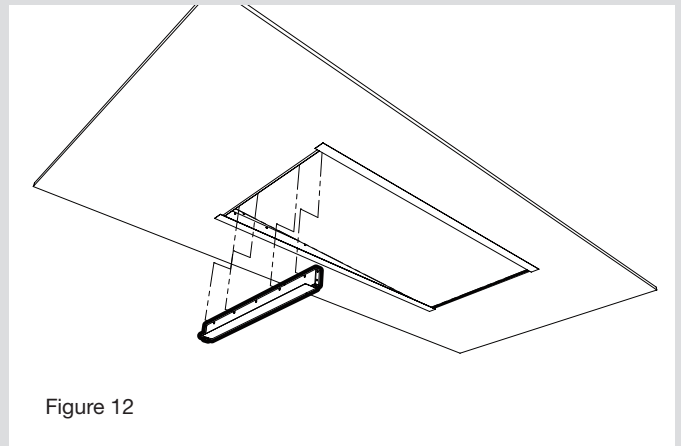
8. Place the tile on the two rails already installed. (Fig. 10)



9. Lift the front of the tile, position and secure an end cap using No. 8 screws (not included). Ensure that the lip fits snugly against the outside of the hole (Fig. 11).



10. Do the same with the back of the tile (Fig. 12).



* Wear gloves when handling the tile to avoid fingerprints and smudges.

WARRANTY

Canada

For any product manufactured by Ouellet (ORP), please refer to the following website:
<http://www.ouellet.com>

For any product manufactured by Stelpro (SRP), please refer to the following website:
<https://www.stelpro.com/warranty-policy/>

United States

For any product manufactured by Ouellet (ORP), please refer to the following website:
<http://www.ouellet.com>

For any product manufactured by Stelpro (SRP), please refer to the following website:
<https://www.stelpro.com/en/warranty-policy/>