

FLUSH-MOUNTED INSTALLATION OF A RADIANT PANEL

USER GUIDE



INS-ORP-RF-SRP-TBR_0422

THANK YOU FOR YOUR PURCHASE!
NEED ASSISTANCE? CONTACT CUSTOMER SERVICE



THIS UNIT COMPLIES
WITH CSA STANDARDS

INSTALLATION INSTRUCTIONS

1. Make sure that you have a rectangular hole in the ceiling (Table 1, Fig. 1) and wood framing of the same dimensions (Fig. 2).

MODELS	RECOMMENDED CUT-OUT DIMENSIONS		DIMENSIONS	
	A	B	C	D
1448	14.125 in (358.78 mm)	48.125 in (1222.38 mm)	15.80 in (401.37 mm)	49.74 in (1263.45 mm)
1460	14.125 in (358.78 mm)	60.125 in (1527.18 mm)	15.80 in (401.37 mm)	61.74 in (1568.25 mm)
2424	24.125 in (612.78 mm)	24.125 in (612.78 mm)	25.80 in (655.37 mm)	25.80 in (655.37 mm)
2448	14.125 in (612.78 mm)	48.125 in (1222.38 mm)	25.80 in (655.37 mm)	49.74 in (1263.45 mm)

Table 1

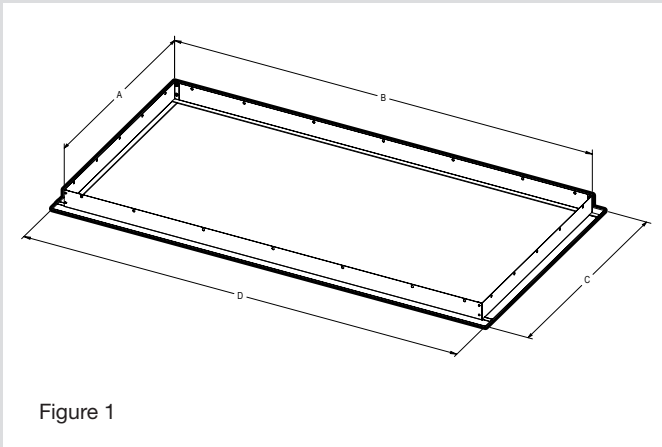


Figure 1

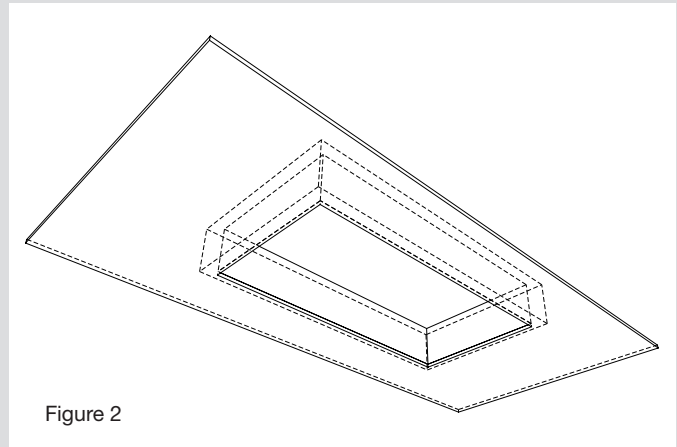


Figure 2

2. Identify the side rails and end caps (Fig. 3).

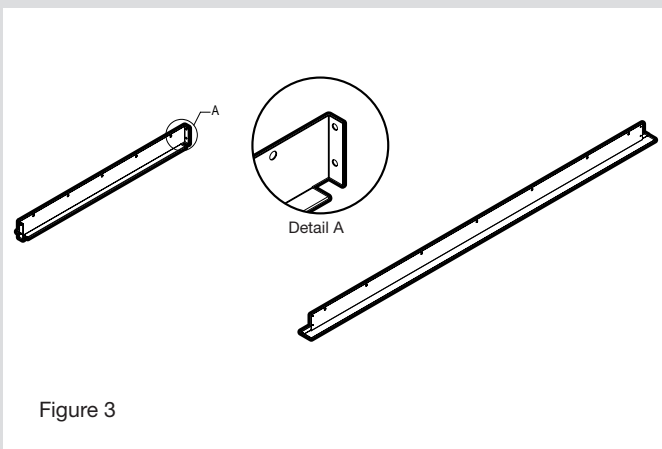


Figure 3

3. Screw the side rails into the hole using No. 8 screws (not included). Ensure that the lip fits snugly against the outside of the hole (Fig. 4).

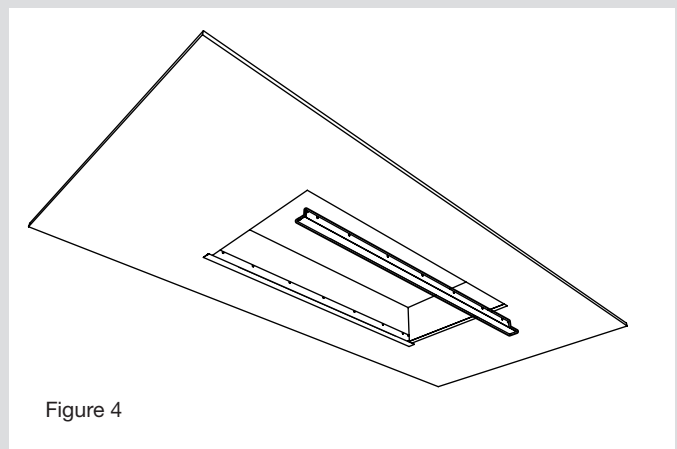
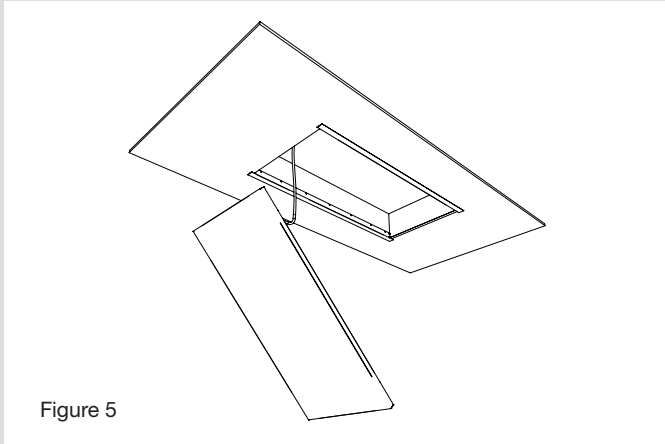


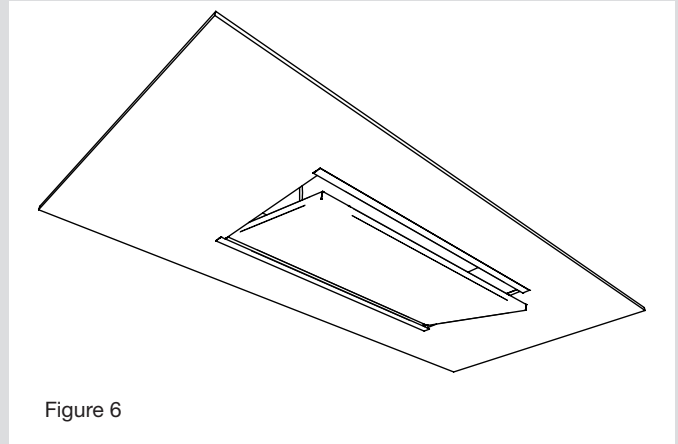
Figure 4

INSTALLATION INSTRUCTIONS

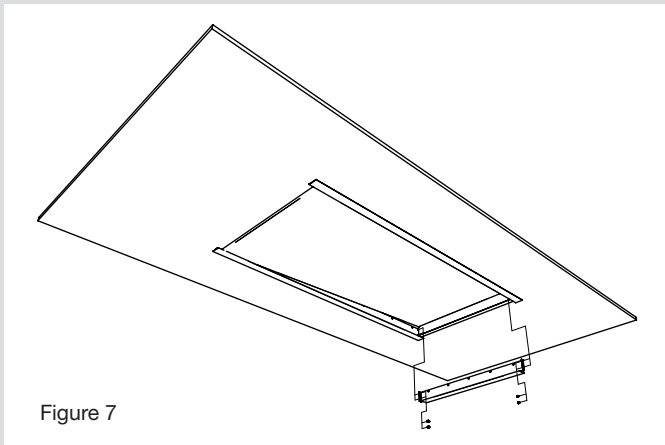
4. Connect the wiring (Fig. 5).



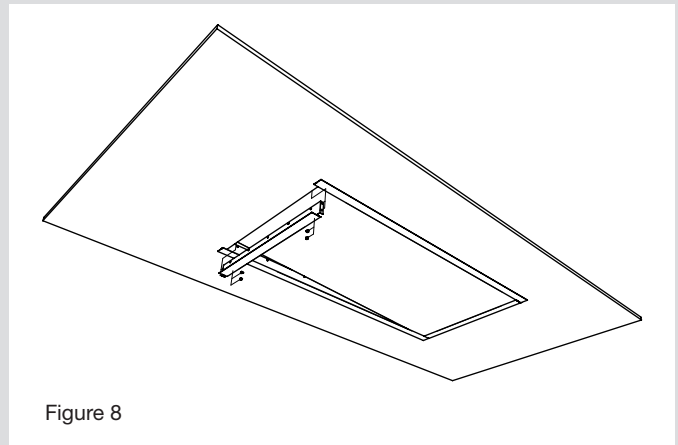
5. Insert the tile and the junction box into the hole, starting from one side (Fig. 6).*
6. Place the tile on the two side rails already installed.



7. Lift the front of the tile, position and secure an end cap using No. 8 screws (not included). Ensure that the lip fits snugly against the outside of the hole (Fig. 7).



8. Do the same with the rear of the tile (Fig. 8).



* Wear gloves when handling the tile to avoid fingerprints and smudges.

WARRANTY

For any product manufactured by Ouellet (ORP),
please refer to the following website:
<http://www.ouellet.com>

For any product manufactured by Stelpro (SRP),
please refer to the following website:
<https://www.stelpro.com/warranty-policy/>