

SURFACE-MOUNTED RADIANT PANEL INSTALLATION

USER GUIDE



INS-ORP-SF-SRP-TB_0422

THANK YOU FOR YOUR PURCHASE!
NEED ASSISTANCE? CONTACT CUSTOMER SERVICE



THIS UNIT COMPLIES
WITH CSA STANDARDS

INSTALLATION INSTRUCTIONS

Surface-Mounted Installation of a Radiant Panel (Fig. 1)

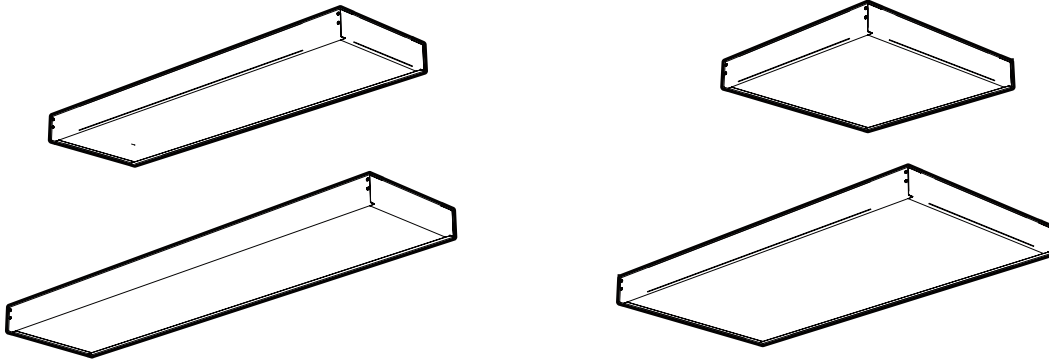


Figure 1

1. Identify the end caps and side rails (Fig. 2, end caps detail A).

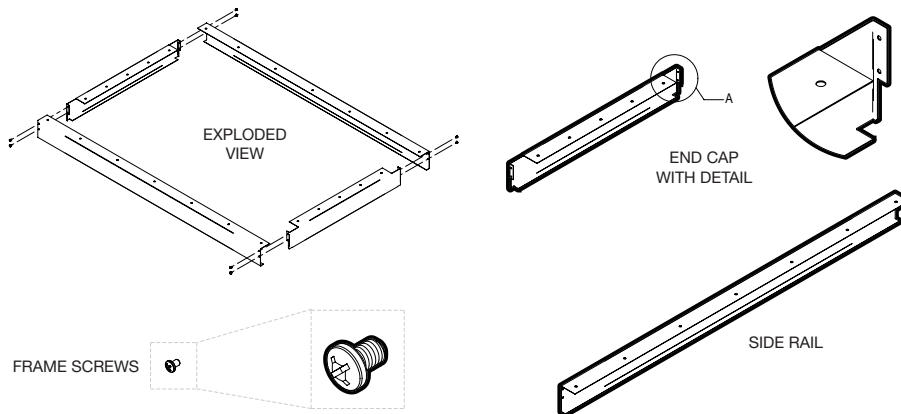


Figure 2

2. Assemble two end caps onto one of the side rails using the white screws (Fig. 3).
3. Attach the second side rail to the two end caps using the white screws (Fig. 4).

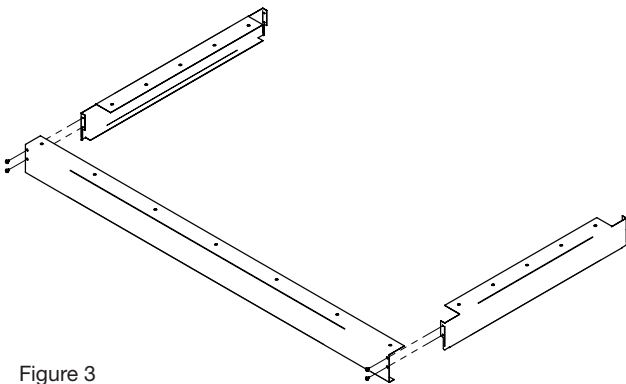


Figure 3

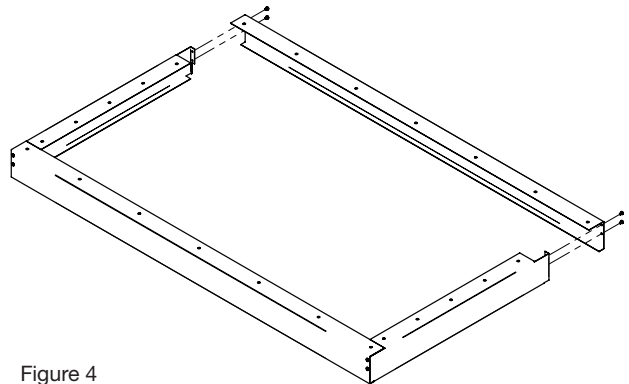


Figure 4

INSTALLATION INSTRUCTIONS

4. Determine the position of the tile.
5. Determine which side has more clearance. The clearance must be sufficient to insert the tile into the frame.
 - Installation via the end cap (Fig. 5A)
 - Installation via the side rail (Fig. 5B)
6. Secure the frame section on the side opposite the clearance to the ceiling (Fig. 5A) using No. 8 screws (not included). Use all the holes provided for this purpose.

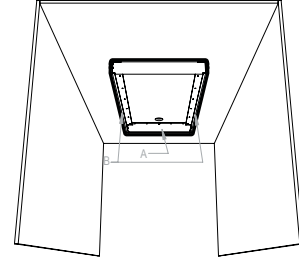


Figure 5A

7. Secure the two adjacent sections to the ceiling (Fig. 5B) using No. 8 screws (not included), ensuring the sections are perpendicular. Use all the holes provided for this purpose. A square or laser level (not included) may be required.

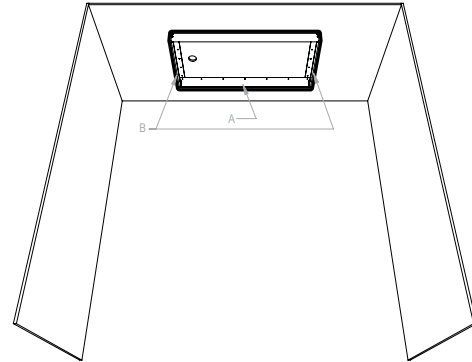


Figure 5B

8. Remove the unsecured section (Fig. 6).
 - Installation via the end cap
 - Installation via the side rail

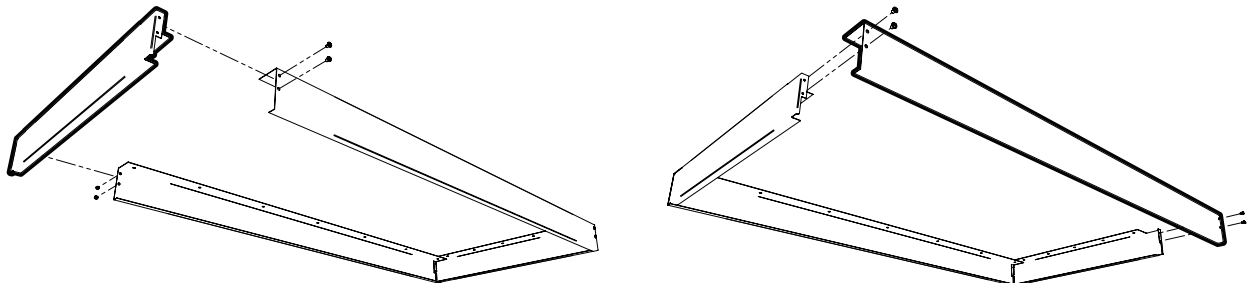


Figure 6

INSTALLATION INSTRUCTIONS

9. Make the electrical connections (Fig. 7).

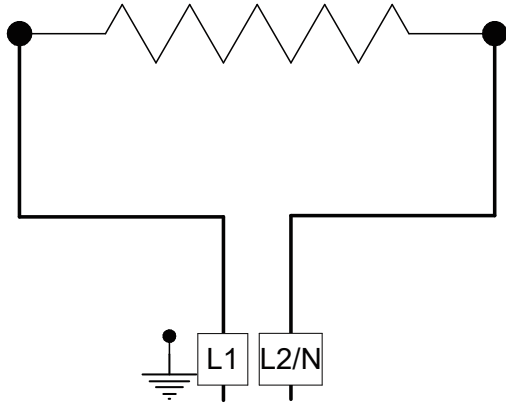
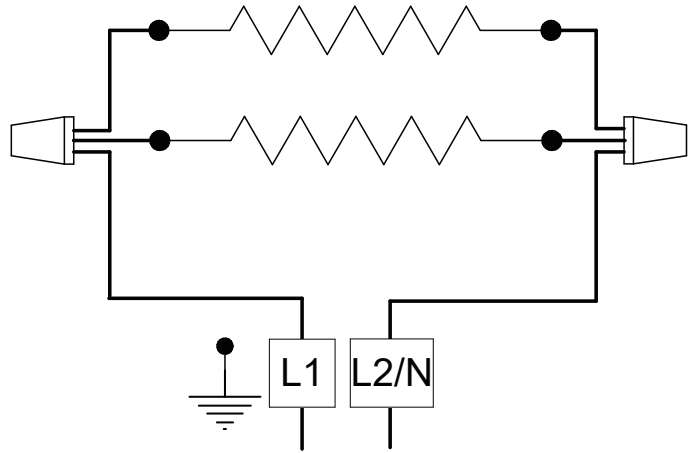


Figure 7



10. Insert the tile and the electrical box into the frame through the opening created by the removed section (Fig. 8). Take care not to scratch the tile.

- Installation via the end cap
- Installation via the side rail

11. Replace the section and secure it with the supplied screws (Fig. 9).

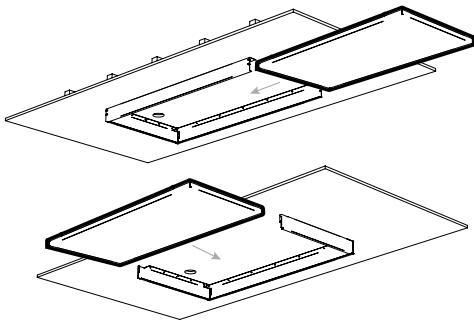


Figure 8

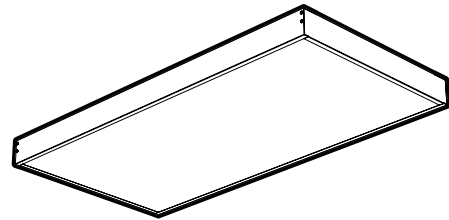


Figure 9

WARRANTY

Canada

For any product manufactured by Ouellet (ORP), please refer to the following website:
<http://www.ouellet.com>

For any product manufactured by Stelpro (SRP), please refer to the following website:
<https://www.stelpro.com/warranty-policy/>

United States

For any product manufactured by Ouellet (ORP), please refer to the following website:
<http://www.ouellet.com>

For any product manufactured by Stelpro (SRP), please refer to the following website:
<https://www.stelpro.com/en/warranty-policy/>