

ARCHITECTURAL RADIANT PANEL

OWNER'S MANUAL



INS-ORP/SRP_0422

THANK YOU FOR YOUR PURCHASE!
NEED ASSISTANCE? CONTACT CUSTOMER SERVICE



THIS UNIT COMPLIES
WITH CSA STANDARDS

IMPORTANT INSTRUCTIONS

1. Read all instructions carefully before installing or using this appliance.
2. Use the appliance as described in these instructions. Any other use is not recommended by the manufacturer as it may pose a risk of fire, electric shock or personal injury.
3. Do not use outdoors.
4. Never obstruct the front of the appliance; the space in front of the appliance must remain clear at all times. Positioning: The heater is designed for ceiling installation only.
5. Do not install the heater directly above a shower stall, or in places where it will be exposed to high humidity for a prolonged period.
6. **WARNING:** High temperature, risk of fire: keep electrical cords, curtains, furniture and other combustible materials at least 36 in (915 mm) away from the front of the unit. To reduce the risk of fire, do not store or use gas or other flammable vapours and liquids near the unit.
7. The surface temperature of the appliance may be high when in operation. To prevent burns, do not install the heater in an accessible location. Minimum clearance of 7 ft (2.13 m) from the floor.
8. An incorrectly installed heater may be permanently damaged and pose a risk of fire or electric shock. The heater must be securely fixed to the ceiling structure.
9. The ceiling and fixing devices must be strong enough to support the weight of the unit, which is 30 lb (13.6 kg).
10. Do not drill holes or drive nails, screws, etc., into or through the panels. Doing so could cause a fire, electric shock or permanently damage the heater.
11. Always take extreme care when a heater is used near children or people with disabilities, or when left running unattended.
12. Do not paint the front panel of the appliance
13. Avoid inserting combustible materials inside the heater, as this could cause a fire, a short circuit or damage to the heater.
14. Certain components may produce electric arcs or sparks. Do not use in a location where gas, paint or other flammable vapours and liquids are used or stored.

To avoid any risk of fire caused by overheating of the wiring, all power wires connected to the heating panels must be designed to withstand a temperature of at least 90°C when the junction box is mounted on the heating panel or is enclosed between the heater and the ceiling above.

15. Do not use this heater after a malfunction. Switch off the power supply at the main electrical panel and have the unit inspected by a qualified technician before reuse.
16. To switch off the unit, cut the power supply at the main power panel and then turn off the heat demand at the wall control.
17. The wall-mounted thermostat must not be regarded as a fail-safe device in situations where maintaining a specific temperature is critical. Examples: Storage of hazardous materials. In such cases, it is essential to install a monitoring system to prevent the consequences of a thermostat failure.
18. **WARNING:** Powering the heater at a voltage higher than that indicated on the rating plate will damage the unit, void the warranty and may cause a fire.
19. **Controls:** The heaters can be controlled by a line-voltage wall-mounted thermostat, a timer or any other suitable device. (Controls are not supplied with the heaters.)

INSTRUCTIONS FOR USE

1. The appliance must be installed correctly before use.
2. Switch on the power at the circuit breaker in the electrical panel.
3. Operation of the heater may vary depending on the type of control used. Please refer to the control system's operating manual.

MAINTENANCE INSTRUCTIONS

1. The unit must be cleaned after switching off the power supply at the main power panel. Wait until the unit's housing and components have cooled down before carrying out maintenance.
2. To clean the painted surface, use a cloth dampened with a mixture of equal parts water and vinegar.
3. A detergent may be used to remove environmental residues (warehouse, industrial premises, etc.), but it is strongly recommended that you test it on a small, inconspicuous area first.
4. Do not use abrasives or corrosive chemicals, as this could damage the paintwork and the appearance of the product.
5. The front of the panel cannot be repainted.
6. The back of the panel can be repainted with a latex-based paint.
7. A qualified technician can carry out any other work.

WARRANTY

Please refer to the product sheet at www.ouellet.com.

KEEP THESE INSTRUCTIONS

INSTALLATION INSTRUCTIONS

WARNING: This appliance must be installed by a qualified person where required by law.

CAUTION

1. High temperature, risk of fire: keep electrical cables, curtains, furniture and other combustible materials at least 36 in (915 mm) away from the front of the appliance. To reduce the risk of fire, do not store or use gas or other flammable vapours and liquids near the appliance.
2. Minimum clearance of 2 in (50.8 mm) above the rear of the panel. (Fig. 2)
3. When the appliance is installed in an enclosed, unventilated space, you must use an optional recessed housing; see the installation instructions for the recessed housing. Required to ensure adequate air circulation and safe use. (Fig. 4)

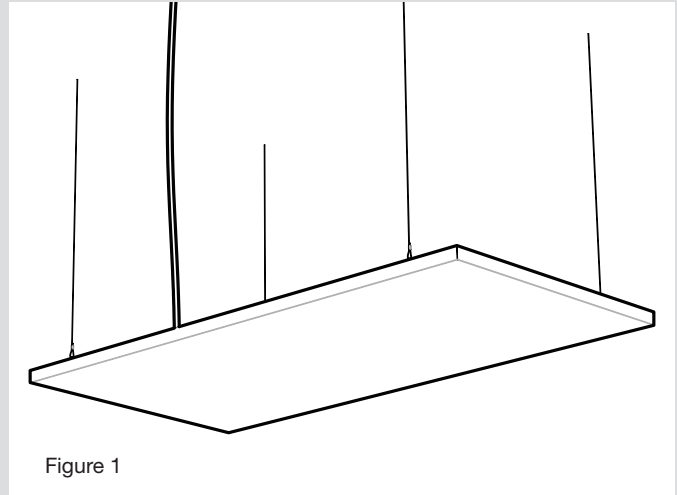


Figure 1

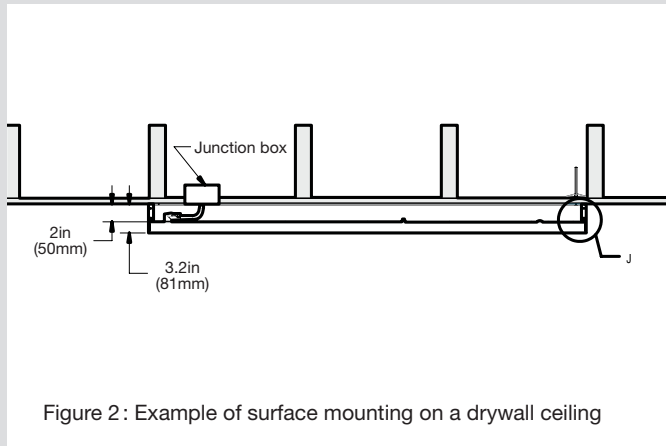


Figure 2: Example of surface mounting on a drywall ceiling

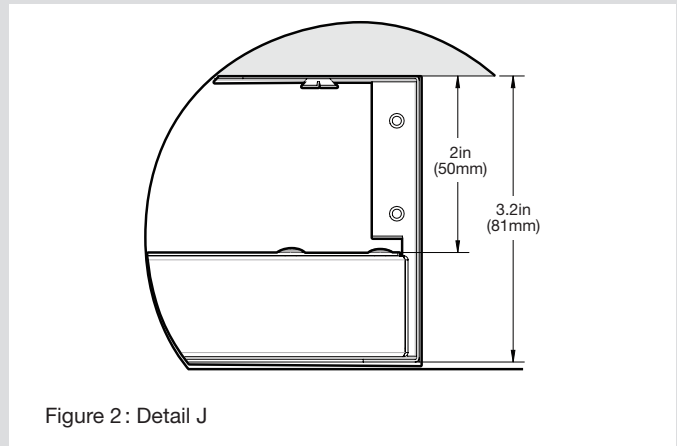


Figure 2: Detail J

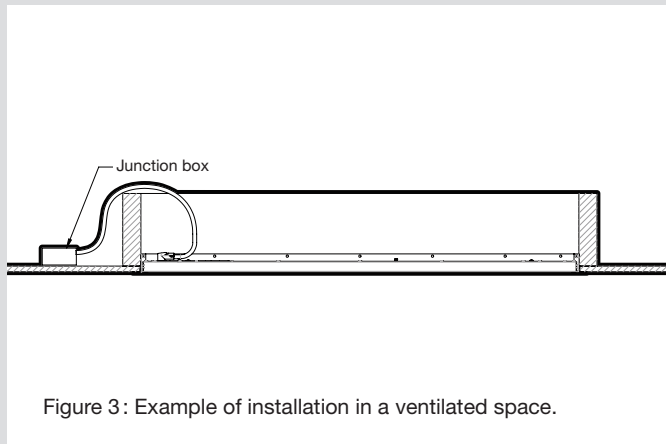


Figure 3: Example of installation in a ventilated space.

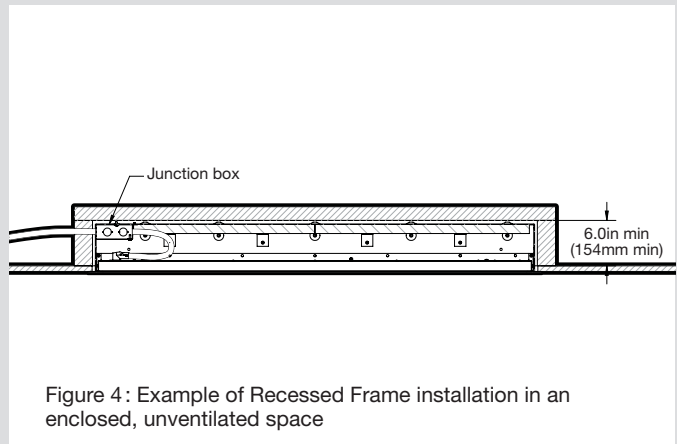


Figure 4: Example of Recessed Frame installation in an enclosed, unventilated space

INSTALLATION INSTRUCTIONS

1. Minimum clearance of 7 ft (2.13 m) from the floor. See Fig. 5 (Distance marked Z)
2. A clearance of 6 in (152 mm) is recommended between the panel and adjacent walls. (Fig. 5 (Distance marked X))
3. Minimum clearance of 36 in (915 mm) between the unit and any heat-sensitive device rated at 40°C (104°F) or higher. (Fig. 5 (Distance marked as Y))

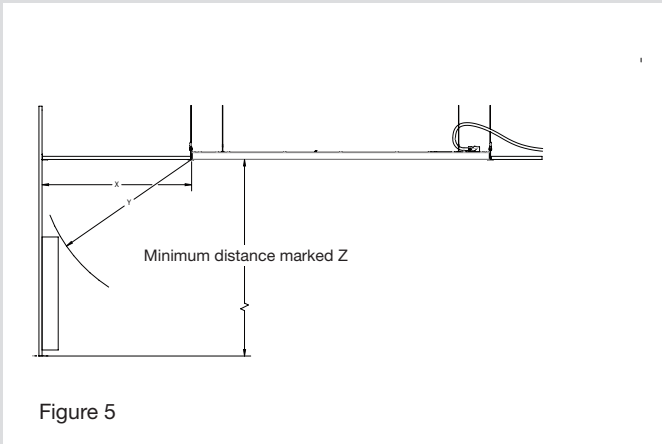


Figure 5

4. Use power wire approved for an ambient temperature of 90°C
5. Ground the heater to prevent the risk of electric shock.
6. To achieve the expected performance, ensure that the panel is connected to the supply voltage indicated on the panel label. DO NOT connect the panel to a voltage higher than that indicated. Connection to a voltage lower than that indicated is permitted but will not provide the expected heating output.
7. Ensure the power supply is switched off before connecting in a junction box using approved connection caps.

INSTALLATION

1. To avoid a fire hazard caused by overheating of the wires, all wires connected to the heating panels must be rated for a minimum temperature of 90°C.
2. Minimum clearance of 2 in (50.8 mm) above the panel.
3. It is recommended to use 3/64 in (1.8 mm) diameter steel suspension cable.
4. Ensure that the ceiling can support the weight of the heating panels.
 - A suspension cable (not included) must be attached to the 4 suspension brackets and secured to the ceiling structure.
 - The panels will be installed suspended from the ceiling. (Fig. 7)

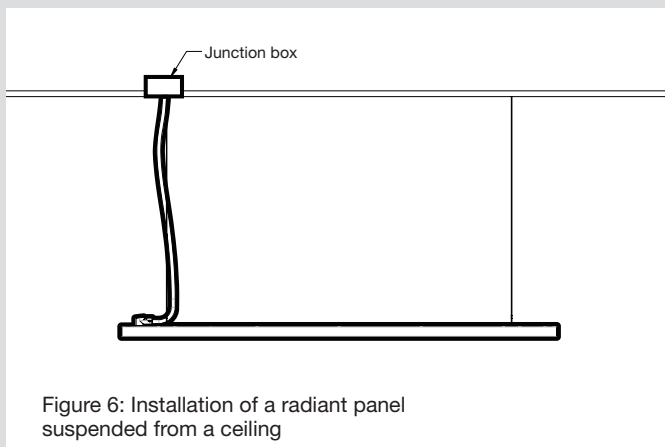


Figure 6: Installation of a radiant panel suspended from a ceiling

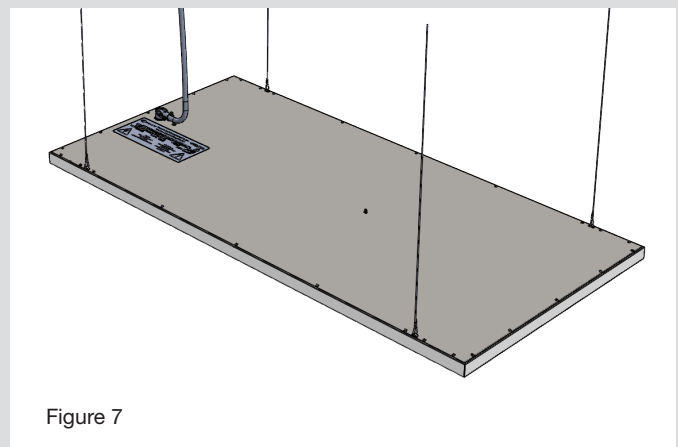


Figure 7

5. Carry out the electrical wiring as shown in (Fig. 8).

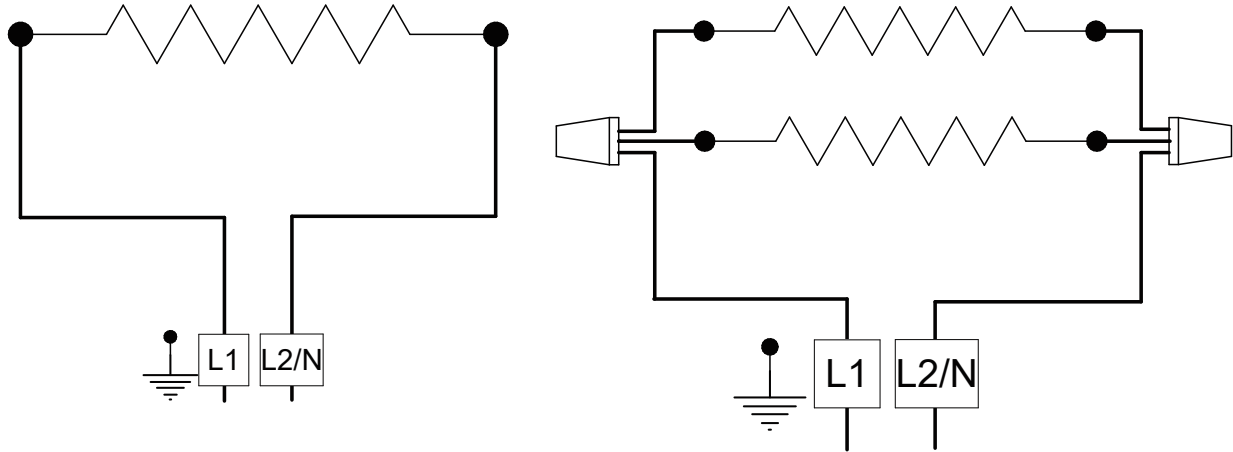


Figure 8: Left, wiring diagram for models 2424, 1448 and 1460. Right, wiring diagram for model 2448.

INSTALLATION ON A SUSPENDED CEILING

INSTALLATION of the radiant panel inserted into a 'T-GRID' type suspended ceiling. Note that the tile is designed to fit perfectly into a standard 7/8" suspended ceiling. (Fig. 9)

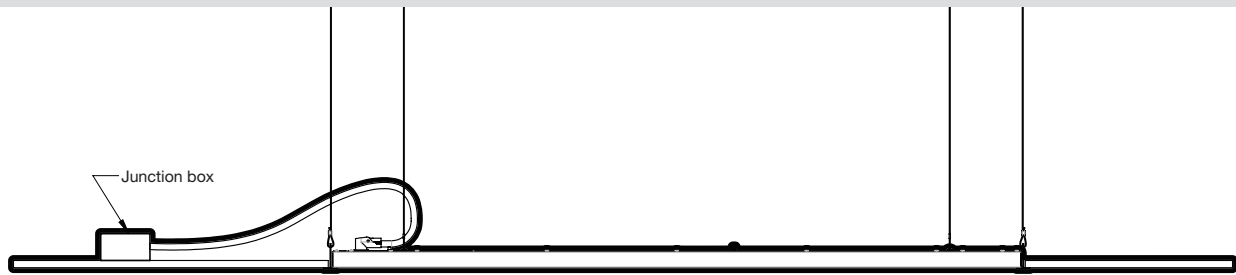


Figure 9

1. Ensure that the ceiling can support the weight of the heating panels.
2. Remove the acoustic tiles in the areas designated for the installation of the radiant tile.
3. It may be necessary to remove a T-bar if they are too close together.
4. Ensure that the suspension cables for the T-bars are securely fastened and do not interfere with the installation of the panels.
5. Place the panel on the T-bars and suspend the panel from the ceiling using suspension cables. See Figure 10. A suspension cable (not included) must be attached to each of the 4 suspension brackets and secured to the ceiling structure.

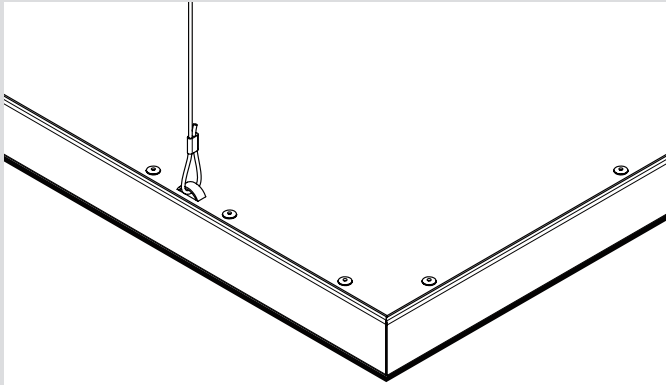


Figure 10

1. Carry out the electrical wiring as shown in Figure 8.
2. Position the panel inside its recess.

INSTALLATION OF THE RADIANT PANEL ON THE SURFACE OR RECESSED INTO A DRYWALL CEILING*

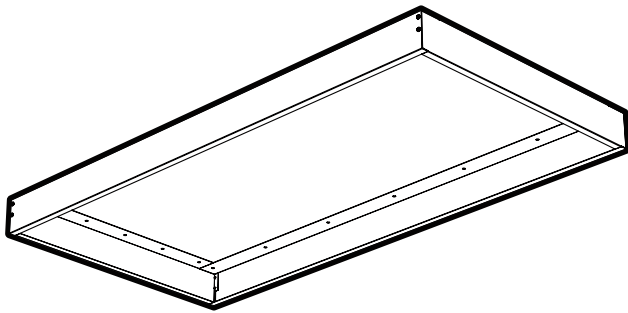


Figure 11: Surface-mounted installation frame on a drywall ceiling

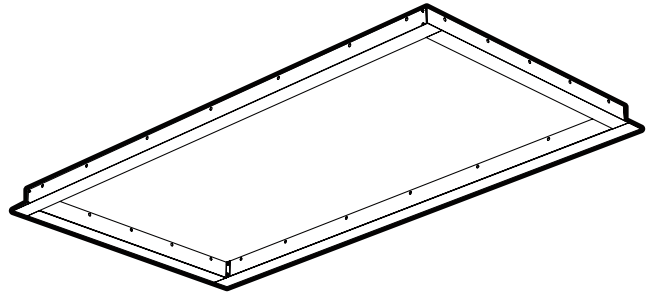


Figure 12: RECESSED installation frame in a drywall ceiling

1. Select the required frame models.
2. Refer to the frame installation instructions.
3. Carry out the electrical wiring as shown in Figure 8.

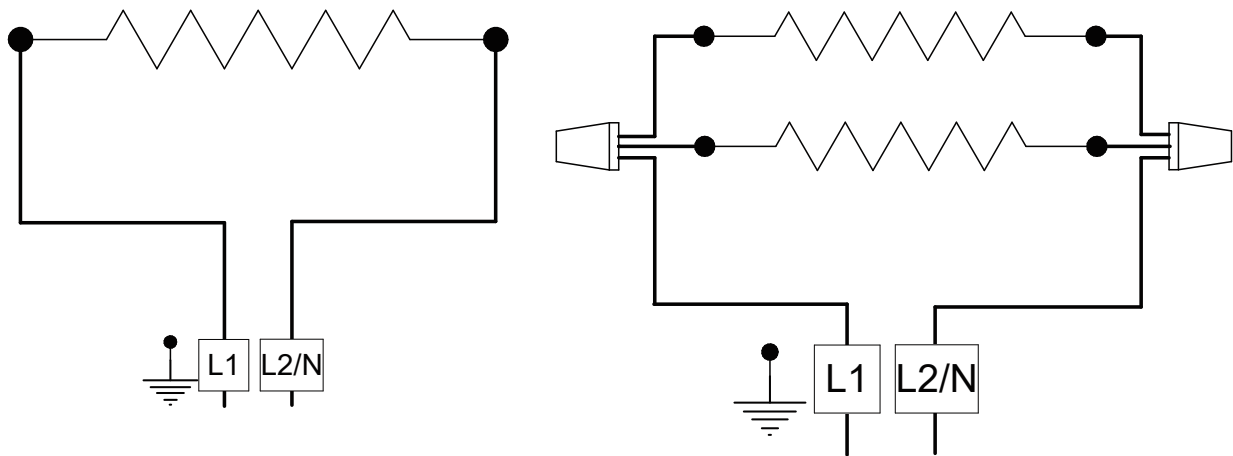


Figure 8: Left, wiring diagram for models 2424, 1448 and 1460. Right, wiring diagram for model 2448.

* Option sold separately from the unit. Available from distributors.

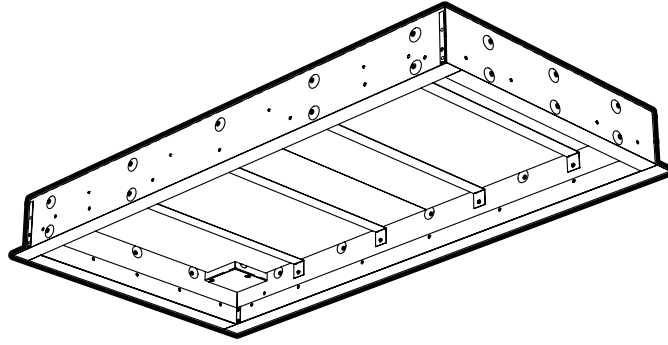


Figure 13: Box and installation frame assembly RECESSED into a drywall ceiling

1. Select the required framing models.
2. Refer to the SF frame installation instructions.
3. Carry out the electrical wiring as shown in Figure 8.

* Option sold separately from the unit. Available from distributors.

WARRANTY

Canada

For any product manufactured by Ouellet (ORP), please refer to the following website:
<http://www.ouellet.com>

For any product manufactured by Stelpro (SRP), please refer to the following website:
<https://www.stelpro.com/warranty-policy/>

United States

For any product manufactured by Ouellet (ORP), please refer to the following website:
<http://www.ouellet.com>

For any product manufactured by Stelpro (SRP), please refer to the following website:
<https://www.stelpro.com/en/warranty-policy/>

