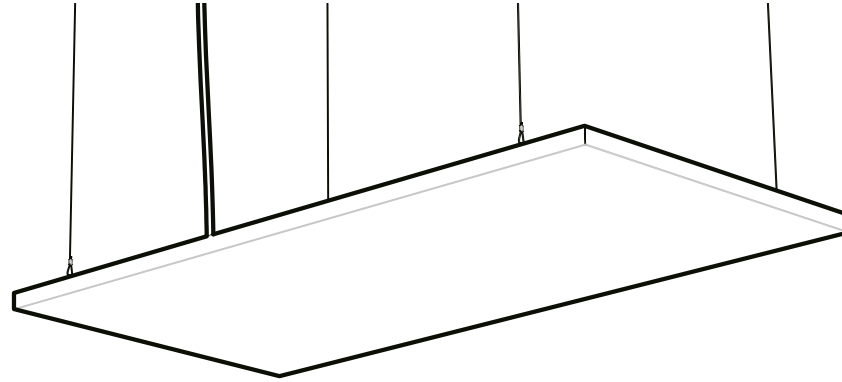


**ORP**

## Architectural Radiant Panel

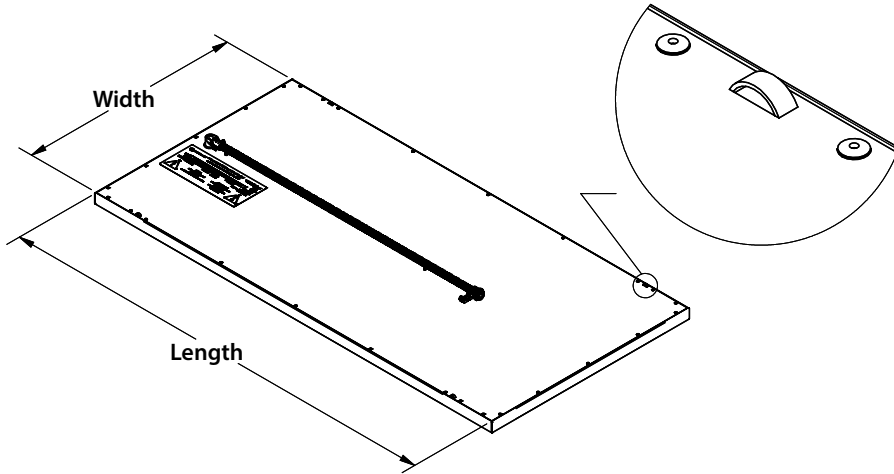
Series



### Features

<b>Colors</b>	Standard: white, black
<b>Finish</b>	High-temperature polyester powder coating
<b>Voltage</b>	120V, 208V, 240V, 277V, 347V
<b>Construction</b>	Reflective foil bonded to the panel's heating elements.
	High-temperature mineral wool insulation, density 2.5 PSF, 1 in (25.4 mm) thick
	The front of the panel is made of 22-gauge painted steel. The panel cover is made of 22-gauge satin-finished steel
	Suspension brackets at the four corners of the panel (suspension cable not included)
<b>Element</b>	Fil chauffant mono-conducteur avec isolation en fluoropolymère réparti uniformément sur le panneau
<b>Density</b>	62.5 to 93.75W/ft <sup>2</sup> at rated voltage
<b>Control</b>	Line-voltage control circuit for thermostat, timer or switch (not included; must be compatible with the appliance's voltage and power rating)
	<i>Ouellet strongly recommends the use of a wall-mounted electronic thermostat for greater comfort</i>
<b>Certification</b>	CSA STD C22.2 No. 46 / UL 2021

<b>Installation</b>	Suspended from the ceiling or fitted into a T-bar suspended ceiling
	A variety of optional accessories is available for surface mounting with an SF frame on a drywall ceiling or for recessed mounting with an RF frame. An RB option is also available for recessed mounting in a non-ventilated ceiling
	Minimum clearance of 2 in (50.8 mm) above the panel
	Minimum installation height of 7 ft (2.13 m) from the floor
	Relocation possible
<b>Warranty</b>	1 year on paintwork, 10 years on components
<b>Applications</b>	Commercial and office buildings, hospitals, schools, daycares, private residences



## Panel dimensions

	ORPXXX-2424		ORPXXX-2448		ORPXXX-1448		ORPXXX-1460	
	mm	in	mm	in	mm	in	mm	in
<b>Width</b>	603.25	23 ¾	603.25	23 ¾	349.25	13 ¾	349.25	13 ¾
<b>Length</b>	603.25	23 ¾	1212.85	47 ¾	1212.85	47 ¾	1517.65	59 ¾

## Models – standard

### 23 ¾" × 23 ¾" panel

Watts	Product # 120V	Qty	Product # 208V	Qty	Product # 240V	Qty	Product # 277V	Qty	Product # 347V	Qty	Weight	
											lb	kg
250	ORP0252-2424		ORP0258-2424		ORP0250-2424		ORP0277-2424		ORP0257-2424		15.5	7.03
310	ORP0312-2424		ORP0318-2424		ORP0310-2424		-		-		15.5	7.03
375	ORP0372-2424		ORP0378-2424		ORP0370-2424		ORP0377-2424		ORP0387-2424		15.5	7.03

### 23 ¾" × 47 ¾" panel

Watts	Product # 120V	Qty	Product # 208V	Qty	Product # 240V	Qty	Product # 277V	Qty	Product # 347V	Qty	Weight	
											lb	kg
500	ORP0502-2448		ORP0508-2448		ORP0500-2448		ORP0577-2448		ORP0507-2448		25	11.34
620	ORP0622-2448		ORP0628-2448		ORP0620-2448						25	11.34
750	ORP0752-2448		ORP0758-2448		ORP0750-2448		ORP0777-2448		ORP0757-2448		25	11.34

13 3/4" x 47 3/4" panel												
Watts	Product # 120V	Qty	Product # 208V	Qty	Product # 240V	Qty	Product # 277V	Qty	Product # 347V	Qty	Weight	
											lb	kg
362	ORP0362-1448								ORP0367-1448		16.4	7.44
438			ORP0438-1448								16.4	7.44

13 3/4" x 59 3/4" panel												
Watts	Product # 120V	Qty	Product # 208V	Qty	Product # 240V	Qty	Product # 277V	Qty	Product # 347V	Qty	Weight	
											lb	kg
452	-		ORP0458-1460		-		-		-		20.5	9.3

## Modèles - pour environnement humide

23 3/4" x 23 3/4" panel												
Watts	Product # 120V	Qty	Product # 208V	Qty	Product # 240V	Qty	Product # 277V	Qty	Product # 347V	Qty	Weight	
											lb	kg
250	ORP0252-H-2424		ORP0258-H-2424		ORP0250-H-2424		ORP0277-H-2424		ORP0257-H-2424		15.5	7.03
310	ORP0312-H-2424		ORP0318-H-2424		ORP0310-H-2424		-		-		15.5	7.03
375	ORP0372-H-2424		ORP0378-H-2424		ORP0370-H-2424		ORP0377-H-2424		ORP0387-H-2424		15.5	7.03

23 3/4" x 47 3/4" panel												
Watts	Product # 120V	Qty	Product # 208V	Qty	Product # 240V	Qty	Product # 277V	Qty	Product # 347V	Qty	Weight	
											lb	kg
500	ORP0502-H-2448		ORP0508-H-2448		ORP0500-H-2448		ORP0577-H-2448		ORP0507-H-2448		25	11.34
620	ORP0622-H-2448		ORP0628-H-2448		ORP0620-H-2448		-		-		25	11.34
750	ORP0752-H-2448		ORP0758-H-2448		ORP0750-H-2448		ORP0777-H-2448		ORP0757-H-2448		25	11.34

13 3/4" x 47 3/4" panel												
Watts	Product # 120V	Qty	Product # 208V	Qty	Product # 240V	Qty	Product # 277V	Qty	Product # 347V	Qty	Weight	
											lb	kg
362	ORP0362-H-1448		-		-		-		ORP0367-H-1448		16.4	7.44
438	-		ORP0438-H-1448		-		-		-		16.4	7.44

13 3/4" x 59 3/4" panel												
Watts	Product # 120V	Qty	Product # 208V	Qty	Product # 240V	Qty	Product # 277V	Qty	Product # 347V	Qty	Weight	
											lb	kg
452	-		ORP0458-H-1460		-		-		-		20.5	9.3

<sup>1</sup> Allow a maximum production time of approximately 4 weeks.  
Standard colors: white or black

## Options

Product # Kits	Description	Qty
ORP-RF1448	Frame for recessed installation in a drywall ceiling, 14 x 48	
ORP-RF1460	Frame for recessed installation in a drywall ceiling, 14 x 60	
ORP-RF2424	Frame for recessed installation in a drywall ceiling, 24 x 24	
ORP-RF2448	Frame for recessed installation in a drywall ceiling, 24 x 48	
ORP-SF1448	Frame for surface mounting on a drywall ceiling, 14 x 48	
ORP-SF1460	Frame for surface mounting on a drywall ceiling, 14 x 60	
ORP-SF2424	Frame for surface mounting on drywall ceilings, 24 x 24	
ORP-SF2448	Frame for surface mounting on drywall ceilings, 24 x 48	
ORP-RB1448	Recessed box for non-ventilated ceilings, 14 x 48	
ORP-RB1460	Recessed box for non-ventilated ceilings, 14 x 60	
ORP-RB2424	Recessed box for non-ventilated ceilings, 24 x 24	
ORP-RB2448	Recessed box for non-ventilated ceilings, 24 x 48	

Add 'BL' to end of code for white, 'NM' for matte black.

Control – See the Relays section of the Ouellet catalog.

**Autres**

Type	Quantity	Model and description Additional information	Volts	Phase	Watts	Length mm/in	Colour/installation information

**Specifications are subject to change without notice**

**Contact details**

<b>Project:</b>		<b>Approval / Information</b>
<b>Consulting Engineer:</b>		
<b>Electrical contractor:</b>		
<b>Supplier:</b>		
<b>Date:</b>		
<b>Ouellet reference:</b>		
<b>Comments:</b>		