

# SMARTdri™

## High-Efficiency Intelligent Hand Dryer

Secamanos inteligente altamente eficiente ● Sèche-mains intelligent à haute efficacité  
Intelligenter Hochleistungs-Händetrockner ● Asciugamani elettrico ad alta efficienza



### All K48 Series

Todos los modelos de la Serie K48  
Ensemble de la série K48  
Alle Geräte der Serie K48  
Tutte le Serie K48



**Please read and save these instructions. Read carefully before attempting to assemble, install, operate or service the product described. Protect yourself and others by observing all safety information. Failure to comply with instructions could result in personal injury and/or property damage. Retain instructions for future reference.**

Por favor lea y guarde estas instrucciones. Léelas cuidadosamente antes de tratar de montar, instalar, operar o dar mantenimiento al producto aquí descrito. Protéjase usted mismo y a los demás observando toda la información de seguridad. No seguir las instrucciones puede ocasionar daños, tanto personales como materiales. Guarde estas instrucciones para referencia en el futuro.

Lire et conserver ces instructions. Les lire attentivement avant de commencer à assembler, installer, faire fonctionner, réparer ou entretenir l'appareil décrit. Pour se protéger et protéger autrui, observer toutes les consignes de sécurité. Le fait de négliger d'appliquer ces instructions peut entraîner des blessures et/ou des dommages matériels. Conserver ces instructions pour consultation ultérieure.

Bitte lesen Sie diese Anweisungen und bewahren Sie sie auf. Lesen Sie diese Anweisungen sorgfältig durch, bevor Sie das beschriebene Produkt zusammenbauen, montieren, betreiben bzw. warten. Beachten Sie für Ihren persönlichen Schutz und zum Schutz anderer sämtliche Sicherheitsinformationen. Eine Nichtbeachtung dieser Anweisungen kann zu Verletzungen und/oder Sachschäden führen. Bewahren Sie die Anweisungen für spätere Bezugnahme auf.

Si prega di leggere e conservare queste istruzioni. Leggere con attenzione prima di montare, installare, azionare o riparare il prodotto descritto. Proteggere se stessi e terzi attenendosi alle istruzioni sulla sicurezza. La mancata conformità con le istruzioni potrebbe risultare in lesioni a persone e/o danni a cose. Conservare le istruzioni da leggere in futuro.



**World Dryer Corporation**

5700 McDermott Drive  
Berkeley, IL 60163 U.S.A.  
800-323-0701  
[www.worlddryer.com](http://www.worlddryer.com)

## Description

World warm air hand dryer, powered by a universal brush motor, delivers up to 800 watts of drying power and incorporates an integrated element for heated air. The dryer controls provide for (3) distinct levels of motor operation (Hi, Med and Low) and the option of operation with, or without, the heating element. An infrared sensor is used to automatically activate the dryer. These models are intended for use in commercial, industrial, office and public facility environments.


## Electrical Specifications

**Table 1**


Models	Type	Electrical Input	Rated Amperage	Rated Watts	Certifications
K48-XXX	Automatic	220 - 240VAC, 50/60Hz	5.0A	1200	CE, TUV-GS

## General Safety Information


This appliance is not intended for use by young children or persons with physical, sensory or mental disabilities unless adequately supervised by a responsible person to ensure they can use the appliance safely. Young children should be supervised to ensure they do not play with the appliance.

 **DANGER** Failure to disconnect the power source before installation or servicing can result in serious injury or death from electric shock.


- Always disconnect the power source before servicing or installing the hand dryer.

 **DANGER** Failure to properly ground this unit could result in severe electrical shock and/or death.

- This hand dryer must be properly grounded (Earthed) for safe operation. An identified ground connection point is supplied on the hand dryer's wall base.
- We recommend GFCI protection in wet or damp locations or as required by local code.

 **WARNING** Risk of fire, personal injury or property damage are possible if local codes, or safety recommendations are not followed.

- Use only the electrical power (voltage and frequency) specified for the model hand dryer being installed. See Table 1 – Electrical Specifications.
- Connect the hand dryer to the nearest suitable distribution panel. The fixed wiring must include a disconnection means complying with local wiring codes.
- To limit a voltage drop, and insure efficient operation, use No. 12 AWG (4 mm<sup>2</sup>) wire or larger as required by local electrical codes.
- Always connect to a branch circuit with circuit breaker or fuse protection with an electrical rating greater than the model hand dryer's rated amperage shown in Table 1 - Electrical Specifications.
- To avoid a hazard due to inadvertent resetting of the thermal cutout, the hand dryer must not be supplied through an external switching device, such as a timer, or connected to a circuit that is regularly switched on and off by the utility.
- Each automatic model hand dryer must have a dedicated circuit.
- Route all field wiring away from moving parts within the hand dryer.

 **CAUTION** Improper mounting could result in personal injury or property damage.

- Follow the mounting height recommendations in Table 2.
- On a stud wall, one side of the hand dryer should be mounted to an existing stud.

## Unpacking

1. Remove all packing material. Recycling is recommended.
2. Carefully remove the hand dryer from the shipping carton, using care not to drop the appliance.
3. Inspect carefully for any damage that may have occurred during transit. Check for any loose, missing or damaged parts. If the hand dryer is damaged, promptly inform the dealer where you purchased it.

# Parts List

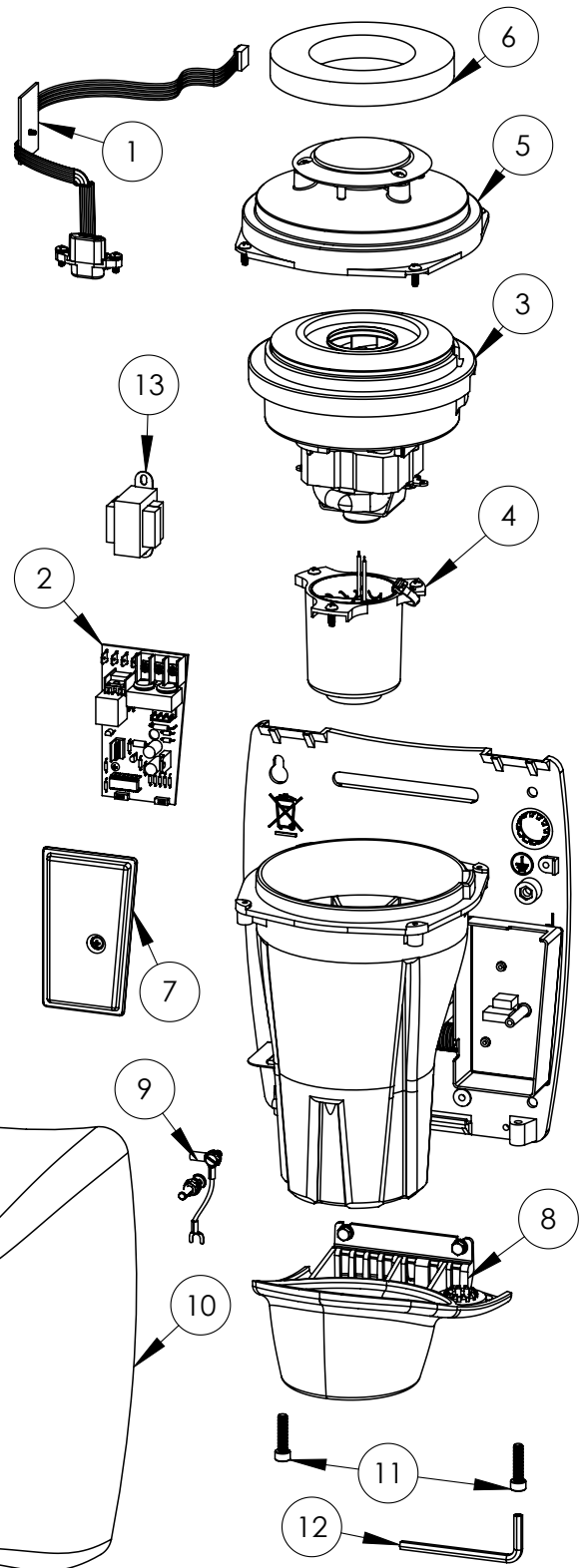
## Repair Parts List For SMARTdri™ Hand Dryer

#	Description	Part Number
1	Kit, Sensor	49-10108K
2	Kit, Dryer Controls	16-KCEK
3	Kit, Motor - 240V	32-K240K
4	Kit, Heating Element - 240V	21-1240K
5	Kit, Plenum Cap Assy.	47-0818092AK
6	Air Filter	93-120309
7	Kit, Controls Cover	20-0815093K
8	Kit, Nozzle	30-K10109K
9	Kit, Grounding – Model K	23-120609
10	Cover Assy – Alum – White	20-K974
	Cover Assy – Alum – Black	20-K162
	Cover Assy – Alum – Polished/ Bright Chrome	20-K970
	Cover Assy – Alum – Brushed/ Satin Chrome	20-K971
	Cover Assy – Stainless Steel – Polished/ Bright	20-K972
	Cover Assy – Stainless Steel – Brushed/ Satin	20-K973
	Cover Assy – Steel – White	20-K975
	Cover Assy – Cast Iron – Por- celain Enamel	20-K976
11	Kit, Security Screws	46-040222K
12	Wrench, Security	56-40189
13	Transformer - 240V	50-K240K

**All kits include fasteners needed for installation. Part Number for Cover Assy. (Reference Number 10) varies with model number for hand dryer.**

For Repair Parts, visit [www.WorldDryer.com](http://www.WorldDryer.com)  
Please provide following information:

- Model number
- Serial number
- Part description and number shown in parts list



# Installation

1. Disconnect the power source.
2. Using Table 2 to determine the recommended mounting height, select a mounting location for the hand dryer where no reflective surfaces or objects (such as a hand basin) are directly under the infra-red sensor eye. The infra-red sensor eye is visible from the bottom of the dryer and is located just inside the dryer's nozzle area. The minimum mounting distance from bottom of the dryer to a reflective surface is 18 in (46 cm). When two or more dryers are installed, they should be spaced apart 24 in (61 cm)
3. Use the security hex key supplied to turn the cover mounting screws **clockwise** to remove the cover from the dryer.
4. Place the hand dryer base on the wall at selected location and using the base as a template, mark locations for the 4 mounting bolt holes on the wall.
5. Fasten the base to the wall, using the type of bolts recommended in Table 3
6. Each dryer must have its own dedicated circuit.
7. Connect the dryer to the nearest suitable distribution panel.
8. Replace cover, turn screws **counter-clockwise** making certain not to over-tighten.

**IMPORTANT: Consult local and general regulations before performing dryer installation. Ensure that the electrical network is not overloaded. Do not connect to a branch circuit rated less than the model hand dryer's rated amperage shown in Table 1 – Electrical Specifications.**

**Table 2**

Recommended Mounting Heights from Floor to Dryer Bottom Edge	in. (cm.)
Men's washrooms	46 (117)
Women's washrooms	44 (112)
Children's washrooms, ages 4-7	32 (81)
Children's washrooms, ages 7-10	36 (91)
Children's washrooms, ages 10-13	40 (102)
Children's washrooms, ages 13-17	44 (112)
Handicap Mounting Height	37 (94)

**Table 3**

Type of Wall	Type of Bolt	Minimum Bolt Length
Hollow Tile, Lath, Wall Board or Metal	1/4" (M6) screw Type or Wing Type toggle Bolts	Dependent on wall thickness
Cement, Brick, or Tile Covered Cement or Brick	1/4" (M6) Stud Type Expansion Bolts	3" (76mm)
Stud Wall with wood Backing	No 16 (M8) Wood Screws	23/4" (70mm)

# Adjusting Dryer Controls

**Table 4**

Motor Setting	Power Usage (Watts)	
	Heater "OFF"	Heater "ON"*
Hi	800	1200
Med	575	975
Low	400	800

The hand dryer has adjustable controls for (3) levels of operation – Hi, Med and Low. The dryer can be operated with the heating element "ON" or "OFF". The dryer's power usage for the range of operation is shown in Table 4.

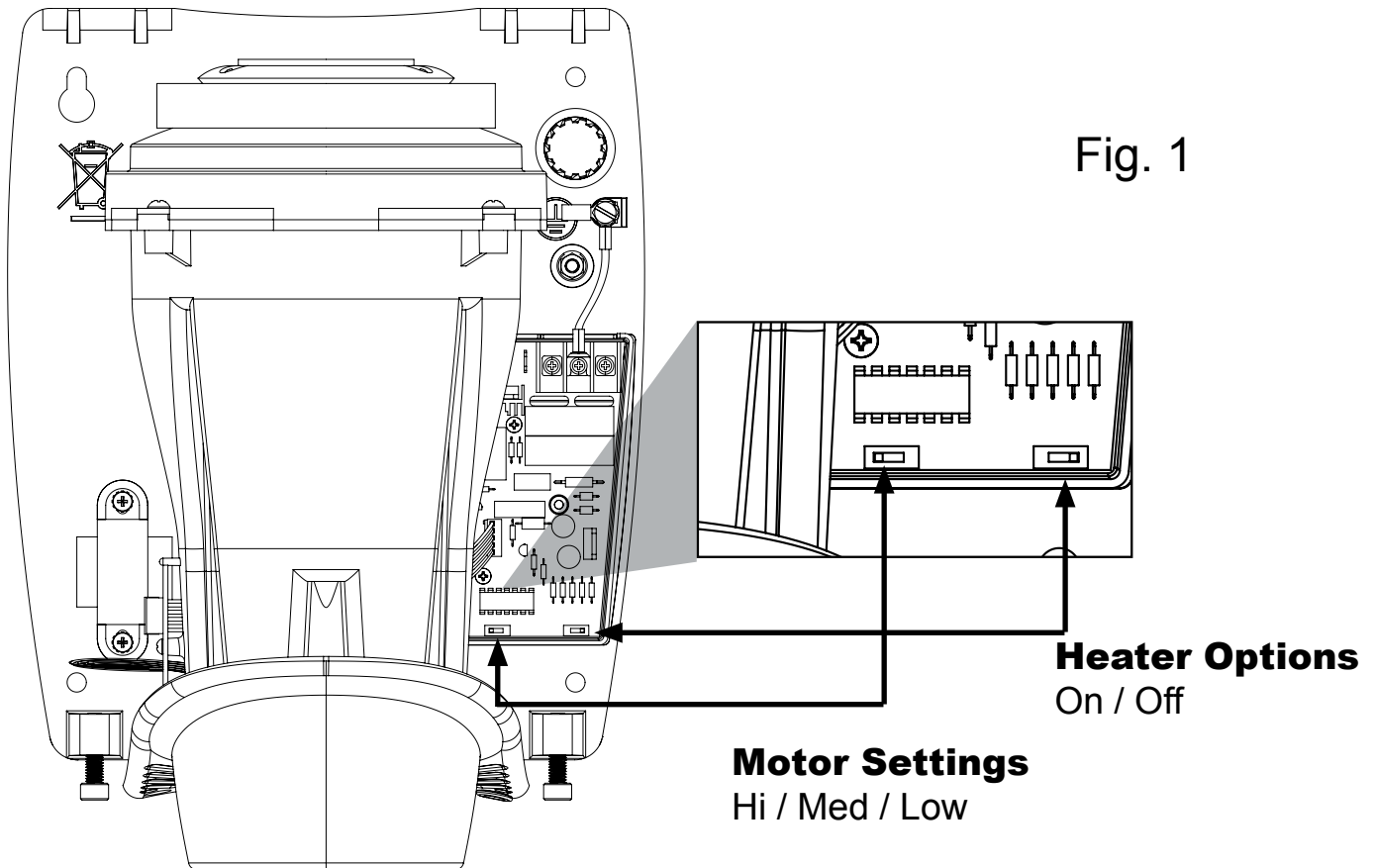
**Note: The factory setting for the dryer controls is motor "Hi" and heater "ON".**

\* Heating element wattage is 400W maximum.

The adjustable dryer controls are located on the printed circuit board inside the dryer's wiring compartment.

To adjust dryer controls:

1. Disconnect the power source.
2. Use the security hex key supplied to turn the cover mounting screws **clockwise** to remove the cover from the dryer.
3. Remove the wiring compartment cover to access the adjustable controls (see Fig. 1).
4. Adjust motor setting and heater as desired, and replace wiring compartment cover.
5. Reassemble the dryer cover using the security hex key supplied to turn the cover mounting screws **counter-clockwise** and tighten until snug. Do not over tighten.



## Maintenance and Cleaning Instructions

**IMPORTANT:** *Excessive lint and dust build up inside the dryer can damage the motor and heating element. Excessive build up can also increase the dryer's air temperature and risk injury to users. With light to moderate wash room traffic, cleaning the hand dryer once a year will keep it in good operating condition. If the washroom traffic is high, the dryer should be cleaned every 6 months. Read complete instruction before proceeding.*

1. Disconnect the power source.
2. Use the security hex key supplied to turn the cover mounting screws **clockwise** to remove the cover from the dryer.
3. Remove any lint or dust from the dryer base using a vacuum. Use caution to not damage wires or circuit boards.
4. For hand dryer models with an open cell filter covering the air intake, remove filter by gently lifting the filter up and around the motor inlet cover. Clean the filter with a vacuum, and replace onto the motor inlet cover.
5. Loosen and remove (4) screws from motor inlet cover, and remove motor inlet cover to access the motor and the motor housing for cleaning.
6. Use soft-medium bristle ½" paint brush to clean lint, dust and dirt from motor. Eliminate any build up of lint and dust from the interior of the motor housing using a brush and/or vacuum.
7. After completing the cleaning process, completely reassemble the motor and motor inlet cover.
8. Reassemble the dryer cover using the security hex key supplied to turn the cover mounting screws **counter-clockwise** and tighten until snug. Do not over tighten.

# Troubleshooting Chart

Dryer fails to start.	A) No power to unit.	Check power to unit and connections.
	B) Defective motor.	Replace motor.
	C) Defective IR sensor.	Replace IR sensor assembly.
	D) Defective dryer controls.	Replace dryer controls.
Dryer will not shut off or runs 30 seconds, then will not re-start.	A) Sensor is dirty, defective or there is a reflection.	1. Check infra-red eye for dirt or damage. Use plastic lens cleaning solution and a soft cloth. Dry lens with a soft cloth.
		2. Make sure that sensor is not getting a reflection from another object.
		3. After electricity has been applied to the dryer, it should turn on within few seconds. Test by placing hands 2 - 5 inches (51 - 127 mm) below the nozzle.
	B) Defective dryer controls.	Replace dryer controls.
Dryer air output is slow.	A) Motor setting is incorrect.	Adjust motor setting. See pg.3 of instructions.
Dryer air is not warm.	A) Heater is in the "OFF" position.	Adjust heater to "ON" position. See page 3 of instructions.
	B) Defective heating element.	Replace heating element assembly.
	C) Defective dryer controls.	Replace dryer controls.

## Limited Warranty

**World LIMITED FIVE – YEAR WARRANTY.** World Warm Air Hair Dryer, Model covered in this manual, is warranted by World Dryer Corporation to the original user against defects in workmanship or materials under normal use for 5 years after date of purchase. Any part which is determined to be defective in material or workmanship and returned to an authorized service location, as World designates, shipping costs prepaid, will be, as the exclusive remedy, repaired or replaced at World's option. For limited warranty claim procedures, see PROMPT DISPOSITION below. This limited warranty gives purchasers specific rights from jurisdiction to jurisdiction.

**LIMITATION OF LIABILITY.** To the extent allowable under applicable law, World's liability for consequential and incidental damages is expressly disclaimed. World's liability in all events is limited to and shall not exceed the purchase price paid.

**WARRANTY DISCLAIMER.** World has made a diligent effort to provide product information and illustrate the products in this literature accurately; however, such information and illustrations are for the sole purpose of identification, and do not express or imply a warranty that the products are MERCHANTABLE, or FIT FOR A PARTICULAR PURPOSE, or that the products will necessarily conform to the illustrations or descriptions. Except as provided below, no warranty or affirmation on fact, expressed or implied, other than as stated in the "LIMITED WARRANTY" above is made or authorized by World.

**PRODUCT SUITABILITY.** Many jurisdictions have codes and regulations governing sales, construction, installation, and/or use of products for certain purposes, which may vary from those in neighboring areas. While World attempts to assure that the products comply with such codes, it cannot guarantee compliance, and cannot be responsible for how the product is installed or used. Before purchase and use of a product, review the product application, and all applicable national and local codes and regulations, and be sure that the product, installation, and use will comply with them.

Certain aspects of disclaimers are not applicable to consumer products; e.g., (a) some jurisdictions do not allow the exclusion or limitation of incidental or consequential damages, so the above limitation or exclusion may not apply to you; (b) also, some jurisdictions do not allow a limitation on how long an implied warranty lasts, consequentially the above limitation may not apply to you; and (c) by law, during the period of this Limited Warranty, and implied warranties of implied merchantability or fitness for particular purpose applicable to consumer products purchased by consumers, may not be excluded or otherwise disclaimed.

Manufactured by World Dryer Corporation, Berkeley, Illinois 60163 U.S.A.

**PROMPT DISPOSITION.** World will make a good faith effort for prompt correction or other adjustment with respect to any product which proves to be defective within limited warranty. For any product believed to be defective within limited warranty, first write or call dealer from whom the product was purchased. Dealer will give additional directions. If unable to resolve satisfactorily, write to World at address below, giving dealer's name, address, date, and number of dealer's invoice, and describing the nature of defect. Title and risk of loss pass to buyer on delivery to common carrier. If product was damaged in transit to you, file claim with carrier.



5700 McDermott Drive  
Berkeley, IL 60163 U.S.A.  
800-323-0701  
www.worlddryer.com