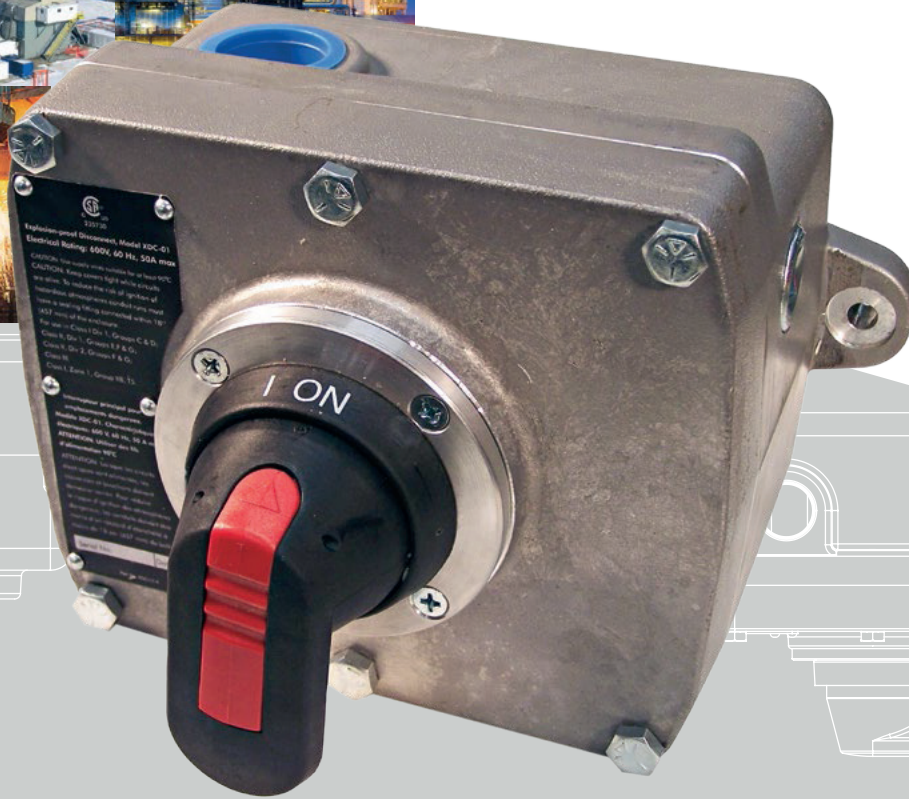




**Version anglaise seulement**



# OUE-XDC-01

## Explosion-proof wall mount disconnect switch

Class I, Divisions 1 & 2, Groups C & D  
Class II, Divisions 1, Groups E, F & G  
Class II, Divisions 2, Groups F & G  
Class III

Class I, Zones 1 & 2, Groups IIA & IIB, T5

Electrical Rating: 600V, 50A max

[www.ouellet.com](http://www.ouellet.com)

For hazardous-location load isolation or motor control switch applications XDC-01 explosion-proof disconnect switch for the most dependable, trouble-free service available.

**Features & Benefits Include:**

- 600 Volt A.C., 50 Amp max, three pole, non-fused switch for maximum versatility.
- Robust pistol handle has steel shaft within a steel bushing that can be locked in OFF position.
- Bolted, removable cover provides instant access for installation and servicing.
- Large enclosure with DIN rail mounting simplifies field wiring.
- NEMA Type 7 & 9 enclosure and cover are made of a copper-free aluminum alloy.
- Two 1" NPT & one 3/4" NPT openings for flexible field wiring (package includes one 3/4" & one 1" ex-proof close-up plugs).
- Two internal grounding lugs simplifies field wiring.
- Compact design, weighs only 13 lb (5.9 kg).

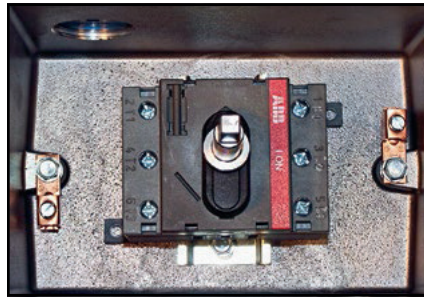
**Compliances:**

CSA<sub>C/US</sub> - Certified to Canadian and U.S. standards.

**Maximum Horsepower ratings:**

208 V, 3 phase	15 HP
240 V, 3 phase	15 HP
480 V, 3 phase	30 HP
600 V, 3 phase	30 HP
120 V, 1 phase	2 HP
240 V, 1 phase	7.5 HP

The XDC-01 disconnect switch is also available as a built-in option on all sizes of the XEU1 explosion-proof heater.

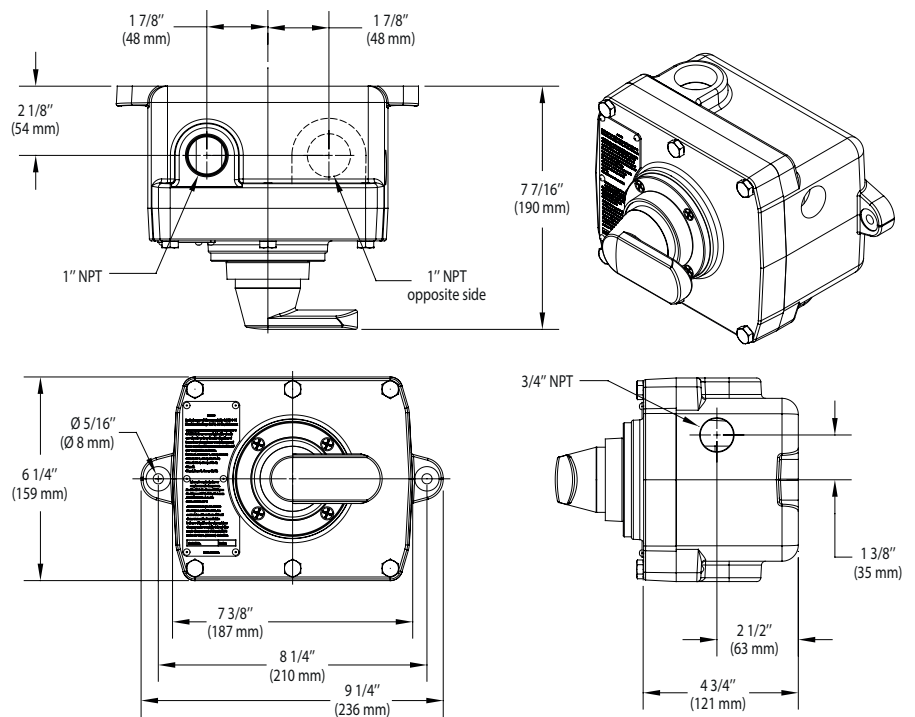


Internal view showing DIN rail mounted ABB OT63F3 non-fusible, heavy duty, disconnect switch with dual grounding lugs and actuation shaft.



External view showing pistol handle lock-out feature.

**Physical Dimensions:**



**Limited 36-Month Warranty**

Ouellet Canada warrants all XDC-01 series of explosion-proof disconnect switches against defects in materials and workmanship under normal conditions of use for a period of thirty-six (36) months from date of purchase based on the following terms:

1. The disconnect switch must not be modified in any way.
2. The disconnect switch must be stored, installed and used only in accordance with the owner's manual and attached data plate information.
3. Replacement parts will be provided free of charge as necessary to restore any unit to normal operating condition, provided that the defective parts be returned to us freight prepaid and that the replacement parts be accepted freight collect.
4. The complete disconnect switch may be returned to our manufacturing plant for repair or replacement (at our discretion), freight charges prepaid.
5. Contamination by dirt, dust, etc. or corrosion will not be considered as defects.
6. This warranty shall be limited to the actual equipment involved and, under no circumstances, shall include or extend to installation or removal costs, or to consequential damages or losses.

Ouellet Canada Inc. reserves the right to make any changes to this sheet or its products at any time without notice.



180, 3<sup>e</sup> Avenue  
L'Islet (Québec)  
G0R 2C0 CANADA

Phone: 1 800 463-7043  
Fax: 1 800 662-7801  
www.ouellet.com

