

# WHFC CEILING HEATER

## INSTALLATION INSTRUCTIONS

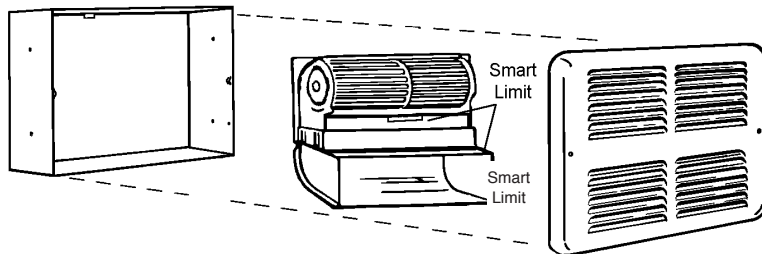
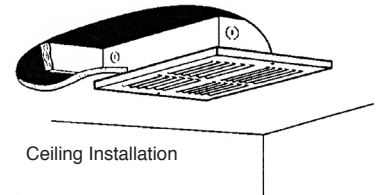
**WARNING:** It is extremely important that you verify that the electrical power supply is the same voltage as the heater you are installing. Powering a 240 Volt unit with 120 Volt supply wires will reduce the heater output by approximately 75%. Powering a 120 Volt unit with 240 Volt supply wires will destroy the heater and void all warranties.

**CAUTION:** Turn off power source supplying the heater before attempting installation, maintenance, or repairs. Lock or tag circuit breaker or fuse panel door. Failure to do so could result in serious electrical shock, burns or possible death.

### **CEILING INSTALLATION:**

Heaters should be placed a minimum of 1.8 m (6'), maximum 3 m (10') from the floor and a minimum of 40 cm (16") from any adjacent vertical wall surface. Heater may be installed 30 cm (12") above doors. Do not install where any combustible materials will be within 60 cm (24") immediately below the heater.

*Note: It's recommended that this ceiling heater be installed adjacent to outside walls to direct warm air flow toward outside walls. The heater should be operated with a quality wall thermostat, for optimum performance locate thermostat on an inside wall.*

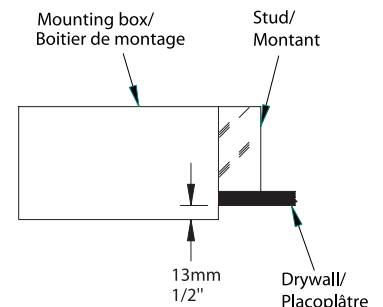


1. After removing the heater from the carton, check to make sure the heater has not been damaged in shipment.
2. Remove the grill by loosening and removing the two screws on the front panel.
3. Remove the fan heater assembly by loosening the left mounting screw and removing the right mounting screw. The assembly will now slide to the right and drop out.
4. Remove one 22 mm (7/8") knockout and thread the supply wire into the ceiling recess box, use an approved strain relief bushing to prevent chaffing of the supply wires through the opening in the recess box.
5. Secure the ceiling recess box to 5 cm x 10 cm (2" x 4") frames or adequate support in the ceiling using the 4 holes provided on each side of the recess box.

**IMPORTANT:** Be sure to allow space for sheet rock or wall board. The face of the ceiling recess box must exceed of 1.3 cm (1/2") from the finished ceiling face.

6. Replace the fan heater assembly by sliding it under the tab at the back top edge of the ceiling recess box. Slide the assembly to the left so that the slot engages the left screw head. Replace the right screw and tighten both assembly mounting screws.
7. Attach the field grounding wire to the green ground screw or green ground wire in recess box.
8. Connect the supply wires to the leads from the heater.
9. Replace the front grill and secure with the two screws provided.

**The installation is now complete, the heater may be energized for use.**



**PROTECTION NOTICE:** This heater includes a manual de-energize high limit thermal protection (Smart Limit Protection®). If the heater shuts off with the thermostat in the on position and the room temperature is below the highest thermostat setting, immediately disconnect the power to the heater at the circuit breaker and inspect for any objects on or adjacent to the heater that may cause high temperatures. After inspecting the heater keep the power off to the heater for 10 minutes to reset the thermal protector. If the heater thermal protector shuts the heater off again, immediately turn the heater off at the circuit breaker and inspect the heater for possible fan motor failure or dirt and lint on the heating element. Repeat starting procedure.

**MAINTENANCE:** The unit is to be cleaned once a year or as required. In order to do so, simply remove the front grill and clean the element and fan with an air spray can. Never use cloth, brush or compressor air.

# WHFC CEILING HEATER

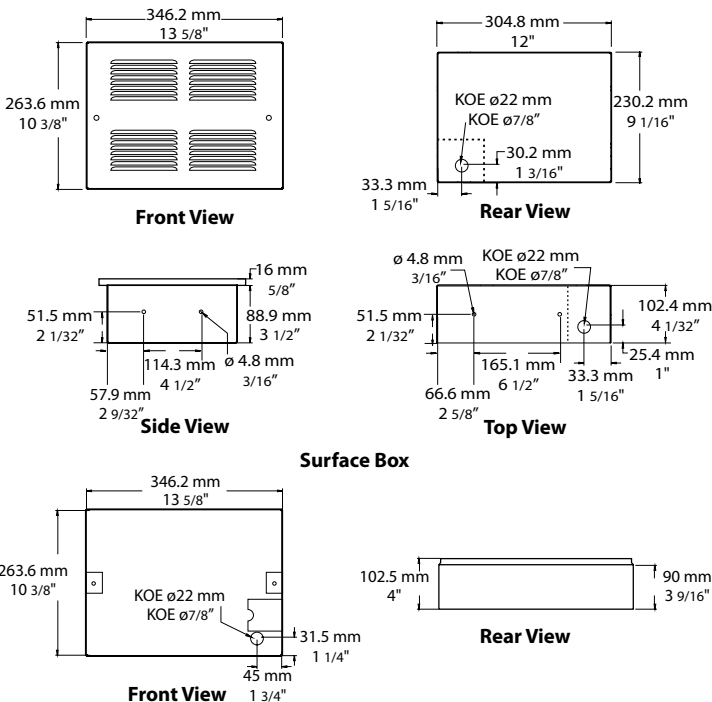
## FEATURES

- 500 to 1500 Watts (1706 - 5120 Btu).
- 120 - 208 - 240 Voltages Available.
- 95 CFM tangential (squirrel cage) blower, 55 dBA at 3 pi (0.9 m).
- Large 75 cubic inch wiring compartment for easy installation.
- 20 gauge grill in white powder coat finish.
- Grill has large intake and outlet openings.
- 20 gauge ceiling recess box.
- Elements are helical coil nickel-chromium alloy wire protected by mica insulation.
- Motor is vibration isolated by a shock absorbing rubber end cap.
- Unique motor cooling system extends motor life.
- Listed under UL2021 - standard for electric air heating.

## MODELS

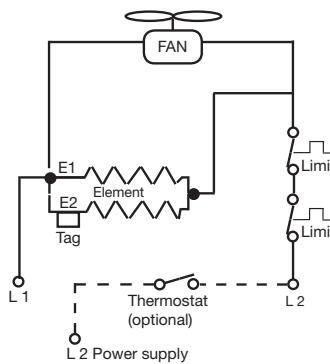
Products #	Volts	Watts	Btu	Weight
WHFC1205	120	500	1706	8.0
WHFC1207	120	750	2559	8.0
WHFC1210	120	1000	3413	8.0
WHFC1215	120	1500	5120	8.0
WHFC2005	208	500	1706	8.0
WHFC2007	208	750	2559	8.0
WHFC2010	208	1000	3413	8.0
WHFC2015	208	1500	5120	8.0
WHFC2405	240	500	1706	8.0
WHFC2407	240	750	2559	8.0
WHFC2410	240	1000	3413	8.0
WHFC2415	240	1500	5120	8.0

## DIMENSIONAL DRAWING

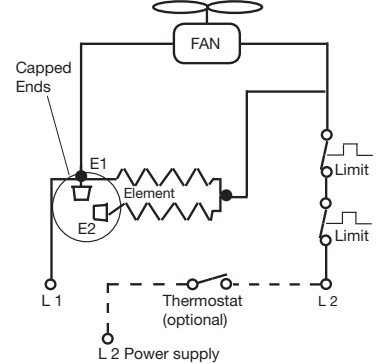


## WIRING DIAGRAM

Two Element - Factory Wiring



Single Element - Factory Wiring



## OPTIONS

Products #	Description	Weight
WHSC-C	Surface mounting box <sup>1</sup>	4.0
WHFG	Replacement grill	2.1

<sup>1</sup> The fan heater assembly must be removed from the recess box and installed into the surface mounting box.

## DISTRIBUTED BY:



180, 3<sup>e</sup> Avenue, L'Islet (Québec) G0R 2C0 CANADA  
 Phone: 1 800 463-7043 • 418 247-3947  
 Fax: 1 800 662-7801 • 418 247-7801  
 info@ouellet.com • www.ouellet.com

