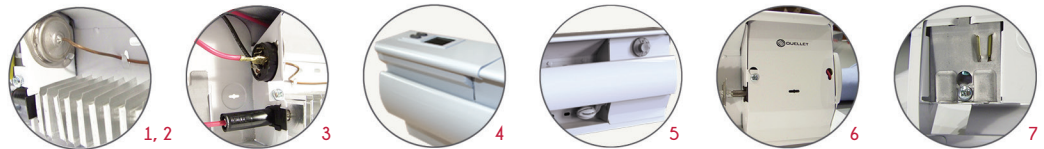


OFM Standard Baseboard Heater



Features

Color

- Standard: white, almond.
- Optional (upcharge applicable): metallic silver, bronze, metallic charcoal, aluminum, semi-gloss black, sand.
- Custom colors available upon request.

Finish

- Standard: epoxy/polyester powder paint.
- May be repainted with any interior paint.

Voltage

- 120V, 208V, 240/208V, 277V, 347V, 480V, 600V, 1-phase.

Construction

- 20-gauge steel connection box.
- 22-gauge steel body.
- 20-gauge steel front panel.
- Rounded upper corners.
- Linear high-limit temperature control with automatic reset. **1**

Heating element

- Stainless steel tubular heating element with aluminum fins. **2**
- Floating heating element on high-temperature nylon bushings reducing expansion noises. **3**

Watt density

- Average standard watt density of 275W/ft.
- Average low watt density of 200W/ft.

Control

- Built-in mechanical thermostat kit can be installed at either end.
- Baseboard section with built-in electronic thermostat can be installed at left end only (240V only). **4**
- Built-in electronic thermostat installed in the right-hand junction box only. Only compatible with devices manufactured after 14-10-2019. **5**
- Built-in relay kit fits in the right end box only.
- A compartment for low voltage connections (located directly under the junction box) facilitates the installation of low voltage relay in electric baseboard.

Ouellet highly recommends the use of an electronic wall thermostat for greater comfort.

Installation

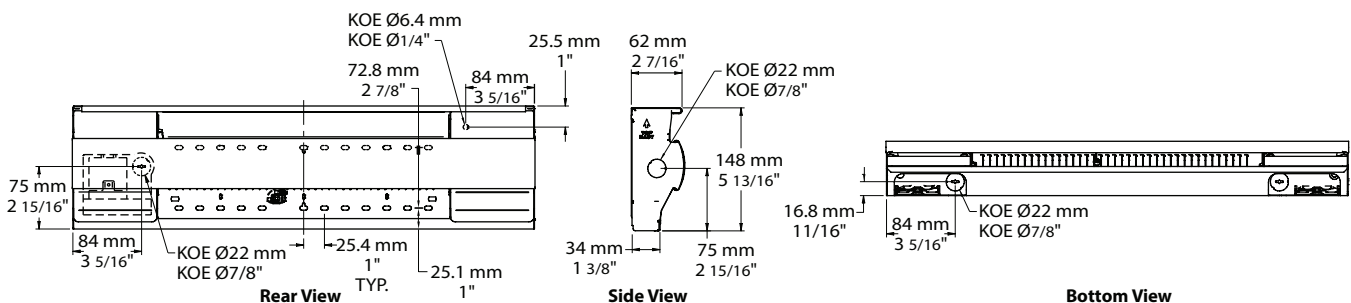
- Installation directly on the floor.
- Connection box at both ends of the heater. **6**
- Single-screw built-in wire holder. **7**
- Raceway for ease of installation.
- Two rows of mounting holes spaced on 1 in. (25.4 mm) intervals for ease of installation.
- Variety of accessories available for wall-to-wall installation.

Warranty

- 5-year warranty against defects.
- Heating element has a lifetime warranty for the initial end user.

Application

- Kitchen, living room, family room, bedroom, bay window, basement.



Average Standard Watt Density Models 275W/ft.

Watts	Watts		Product #							Length		Weight	
	240/208V	120V	Price	208V	240/208V	Price	347V	600V	Price	in.	mm	lb	kg
300	300/225	OFM0302	99.50	OFM0308	OFM0300	79.75	-	-	-	22 5/16	566	4.5	2.0
500	500/375	OFM0502	105.00	OFM0508	OFM0500	83.25	OFM0507	-	98.25	27 3/16	691	5.5	2.5
750	750/563	OFM0752	122.00	OFM0758	OFM0750	96.00	OFM0757	OFM0756	116.00	37 3/16	945	7.3	3.3
1000	1000/750	OFM1002	141.50	OFM1008	OFM1000	112.00	OFM1007	OFM1006	135.75	47 1/2	1206	9.0	4.0
1250	1250/938	OFM1252	172.75	OFM1258	OFM1250	133.00	OFM1257	OFM1256	165.00	57	1447	10.5	4.8
1500	1500/1125	OFM1502	181.50	OFM1508	OFM1500	144.00	OFM1507	OFM1506	177.00	65 11/16	1668	12.0	5.5
1750	1750/1313	-	-	OFM1758	OFM1750	171.50	OFM1757	OFM1756	213.25	75	1905	13.5	6.2
2000	2000/1500	-	-	OFM2008	OFM2000	188.25	OFM2007	OFM2006	226.75	83 13/16	2128	15.0	6.8
2250 ¹	2250/1688 ¹	-	-	OFM2258	OFM2250	207.50	OFM2257	OFM2256	251.50	92 5/8	2353	16.5	7.5
2500 ¹	2500/1875 ¹	-	-	OFM2508	OFM2500	223.50	OFM2507	OFM2506	269.00	101 13/16	2585	18.0	8.2

Average Low Watt Density Models 200W/ft.

Watts	Watts		Product #							Length		Weight	
	240/208V	120V	Price	208V	240/208V	Price	347V	600V	Price	in.	mm	lb	kg
300	300/225	OFM0302-691	105.00	OFM0308-691	OFM0300-691	83.25	-	-	-	27 3/16	691	5.5	2.5
500	500/375	OFM0502-945	122.00	OFM0508-945	OFM0500-945	96.00	OFM0507-945	-	116.00	37 3/16	945	7.3	3.3
750	750/563	OFM0752-1206	141.50	OFM0758-1206	OFM0750-1206	112.00	OFM0757-1206	OFM0756-1206	135.75	47 1/2	1206	9.0	4.0
1000	1000/750	OFM1002-1447	172.75	OFM1008-1447	OFM1000-1447	133.00	OFM1007-1447	OFM1006-1447	165.00	57	1447	10.5	4.8
1250	1250/938	OFM1252-1668	181.50	OFM1258-1668	OFM1250-1668	144.00	OFM1257-1668	OFM1256-1668	177.00	65 11/16	1668	12.0	5.5
1500	1500/1125	OFM1502-2128	217.25	OFM1508-2128	OFM1500-2128	188.25	OFM1507-2128	OFM1506-2128	226.75	83 13/16	2128	15.0	6.8
1750 ¹	1750/1313 ¹	-	-	OFM1758-2353	OFM1750-2353	207.50	OFM1757-2353	OFM1756-2353	251.50	92 5/8	2353	16.5	7.5
2000 ¹	2000/1500 ¹	-	-	OFM2008-2585	OFM2000-2585	223.50	OFM2007-2585	OFM2006-2585	269.00	101 13/16	2585	18.0	8.2
2250 ¹	2250/1688 ¹	-	-	OFM2258-2585	OFM2250-2585	223.50	OFM2257-2585	OFM2256-2585	269.00	101 13/16	2585	18.0	8.2

Options

Product # Kit	Product # Factory installed*	Price	Description
KIT-OFM-CI	-	110.00	Corners (inside and outside)
KIT-OFM-DIS20	DIS20	170.50	Disconnect switch, double-pole, 20A at 250V max.
KIT-OFM-JT	-	51.25	Splice plate 3 9/16 in. (90 mm)
KIT-OFM-RO1	-	86.75	Baseboard section 6 in. (152 mm) - Surface-mount 5-15R receptacle - 15A at 120V
KIT-OFM-RO2	-	294.25	Baseboard section 6 in. (152 mm) - 240V splitter box toward a surface-mount, 6-20R receptacle (20A switch, double-pole, double-throw)
KIT-OFM-RO2B	-	238.25	Baseboard section 6 in. (152 mm) - Surface-mount 6-20R receptacle - 240V
KIT-OFM-R-347	R	91.50	Single-pole relay, coil 24V, without transformer, 22A at 120V, 208V, 240V - 18A at 347V
KIT-OFM-R-600	R	124.25	Single-pole relay, coil 24V, without transformer, 10A at 600V
KIT-OFM-RT-120	RT	154.50	Single-pole relay, coil 24V, with transformer 120V/24V, 22A at 120V
KIT-OFM-RT-208	RT	129.00	Single-pole relay, coil 24V, with transformer 208V/24V, 22A at 208V
KIT-OFM-RT-240	RT	129.00	Single-pole relay, coil 24V, with transformer 240V/24V, 22A at 240V
KIT-OFM-RT-277	RT	129.00	Single-pole relay, coil 24V, with transformer 277V/24V, 19A at 277V
KIT-OFM-RT-347	RT	129.00	Single-pole relay, coil 24V, with transformer 347V/24V, 18A at 347V
KIT-OFM-RT-600 ³	RT ³	185.75	Single-pole relay, coil 24V, with transformer 600V/24V, 10A at 600V (2-wire only)
KIT-OFM-240SPLITTER	-	128.00	Baseboard section 6 in. (152 mm) - 240V splitter box to permanently connect a secondary product (20A switch, double-pole, double-throw)
KIT-OFM-THA ⁵	THACD ⁵	76.50	Built-in electronic thermostat with rotary knob installed in the right junction box only: 12.5A at 120V, 208V, 240V
-	THCG ⁴	188.75	Baseboard section 6 in. (152 mm) with built-in electronic thermostat (240V only), installed at left end
KIT-OFM-SR	-	92.25	Baseboard section 6 in. (152 mm) for the installation of a 24V relay (relay not included)
KIT-OFM-TB6	TB6	49.25	Single-pole bi-metal thermostat: 25A at 120V, 208V, 240V, 277V - 10A at 347V, 480V, 600V
KIT-OFM-TB26 ²	TB26 ²	59.25	Double-pole bi-metal thermostat: 25A at 120V, 208V, 240V, 277V - 10A at 347V, 480V, 600V
KIT-OFM-TB6-AV	TB6AV	88.00	Single-pole bi-metal tamperproof thermostat: 25A at 120V, 208V, 240V, 277V - 10A at 347V, 480V, 600V
KIT-OFM-TB26-AV ²	TB26AV ²	90.75	Double-pole bi-metal tamperproof thermostat: 25A at 120V, 208V, 240V, 277V - 10A at 347V, 480V, 600V
KIT-OFM-TRIAC-347	TRIAC	90.25	Single-pole electronic relay, coil 24V, without transformer, 15A at 347V max.
KIT-OFM-TRIAC-347T	TRIACT	127.25	Single-pole electronic relay, coil 24V, with transformer, 15A at 208V, 240V, 277V, 347V
KIT-OFM-TRIAC-600	TRIAC	165.75	Single-pole electronic relay, coil 24V, without transformer, 10A at 600V max.

* For factory installed options, add the option number to the product number. See the **Product Code** section inside the front cover.

¹ These models must be ordered in pairs to reduce shipping damages.

² "Off" position.

³ These 2-wire relays with transformer can't supply of 3-wire low voltage thermostats.

⁴ The white and almond baseboard sections come with an integrated white thermostat. The integrated thermostat is black for all other colors.

⁵ Compatible with the devices manufactured after 14-10-2019 only.

Add "BL" for white, "AM" for almond. Upcharge available for optional colors shown in the color chart section.

Other voltages available upon request.