

OCF Patio Infrared Heater



Grounded 3-pronged outlet (120V model)



NEMA 5-15R

Features

Finish

- Black anodized aluminum.

Voltage

- 120V, 240/208V, 60 Hz, 1-phase.

Construction

- Weatherproof IP65 certified for outdoor use.
- 2 mm wall thickness aluminum extrusion casing.
- High quality aluminum optical reflector.
- High quality power cord:
 - 120V model: 7.5 ft. (2.25 m) with NEMA 5-15P plug.
 - 240/208V models: 6 ft. (1.8 m) hard wire.

Heating element

- Woven carbon filament infrared lamp inside a 15 mm Quartz tube.
- Element service life \pm 5000h.

Wavelength

- Mid-wave (2 μ m).

Control

- 1500W and 3000W models: On/Off integrated regulator and a remote control with 6 settings.
- 4000W and 6000W models: Two heating level, 50% and 100%. Heater can be wired to bypass the remote if requires.

Certification

- Comply with the standard UL2021:2015 Ed.4 and C22.2 No.46: 2013 Ed.9.

Installation

- Horizontal installation only.
- Pivoting wall mounting brackets included (120V and 240/208V models).
- Mounting brackets for ceiling suspension included (240/208V models).
- Installation minimum clearances:
 - 1500W model: 6.7 ft. (2.0 m) from floor.
 - 300W, 4000W and 6000W models: 8 ft. (2.4 m) from floor.
 - All models: 12 in. (30 cm) from ceiling, 18 in. (45 cm) between the end of the unit to the wall and 24 in. (61 cm) between the longer side of the unit to the wall.
- 120V model: Wall mounted only.
 - Must be plugged into a grounded 3-pronged outlet, 15A, 120VAC.
- 240/208V models: Wall or ceiling mounted.
 - Hard-wired into an electrical junction box (not included).

Warranty

- 1-year warranty against defects.
- 90-day warranty on the element (for industrial applications only).

Application

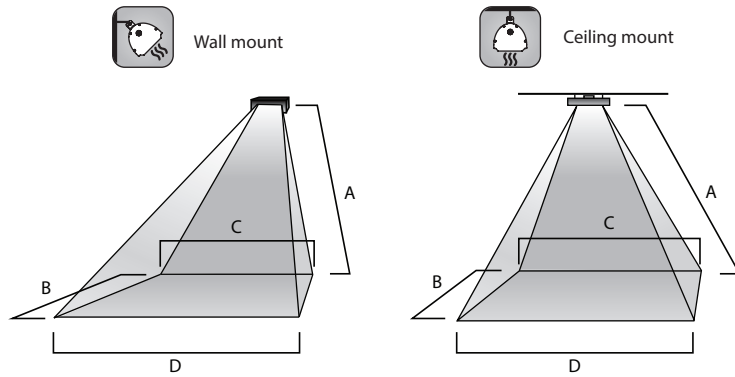
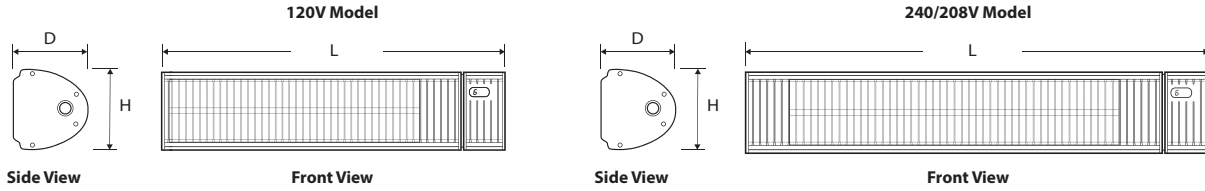
- Temporary back-up heating, workshop, garage, solarium, pool and spa, balcony, patio, bar, restaurant, hotel, church.

Models

Watts	Volts	Product # ¹	Price	Grounded 3-pronged outlet	L		Length H		D		Weight	
					in.	mm	in.	mm	in.	mm	lb	kg
1500	120	CF15120B	495.00	15A, 120VAC	27	685.8	6 1/2	165	6 5/16	161	10.0	4.5
3000/2250	240/208	CF30240B ²	636.00	-	38	965.2	6 1/2	165	6 5/16	161	14.3	6.4
4000/3000	240/208	CF40240B ²	914.00	-	42	1066.8	9	228.6	9	228.6	40.0	18.2
6000/4500	240/208	CF60240B ²	1001.00	-	42	1066.8	9	228.6	9	228.6	40.0	18.2

¹ Mounting brackets included. Finish: "B" for black anodized aluminum.

² Indoor residential installation forbidden.



Heat coverage

Watts	A		B		C		D		Heat coverage		
	ft.	in.	m	ft.	m	ft.	m	ft.	m	sq. ft.	sq. m
Wall mounted											
1500W	8'		2.44	8	2.44	8	2.44	9	2.74	72	6.7
3000W	8'		2.44	11	3.35	10	3.05	12	3.66	120	11.2
4000W	8'	2"	2.49	11	3.35	10	3.05	12	3.66	140	13.0
6000W	10'		3.05	12	3.66	10	3.05	12	3.66	150	13.9
Ceiling mounted											
3000W	8'		2.44	11	3.35	11	3.35	11	3.35	120	11.2
4000W	8'		2.44	11	3.35	12	3.66	12	3.66	140	13.0
6000W	8'		2.44	12	3.66	12	3.66	12	3.66	150	13.9