



180, 3^e Avenue, L'Islet, Québec, G0R 2C0, CANADA
Tél.: (418) 247-3947, 1-800-463-7043 Fax: (418) 247-7801
www.ouellet.com

INSTRUCTIONS OHV-CC Series

This instruction contains the necessary information for the installation, use and effective operation of this product. Not following guidelines of this instruction and the rules of basic safety when using electrical appliances can cause fire, electric shock, serious injury, death or property damage. You should always keep this instruction in order, to ensure safe operation. The manufacturer can not be held responsible for anything and warranty will be invalid if the installer and the user does not meet the guidelines of this instruction.

This product must be used in accordance with electrical codes and building codes in your area.

IMPORTANT INSTRUCTIONS

When using electrical appliances, basic precautions should always be followed to reduce the risk of fire, electric shock, hyperthermia, and injury to persons, including the following:

- 1- Read carefully these instructions before using this heater.
- 2- Do not operate the heater without fixing it to its support.
- 3- This heater is hot when in use. To avoid burns, do not let bare skin touch hot surfaces. Use the handle when moving this heater. Keep combustible materials, like furniture, pillows, bedding, papers, clothes, and curtains at least 5 ft. (153 cm) from the front of the heater and keep them away from the sides and rear when in use.
- 4- Respect distances and positions mentioned in the "USER GUIDE" section. See **Figures 2 and 3** for minimum clearances. Make sure the heater is placed in a location where it will not fall.
- 5- Extreme caution is necessary when any heater is used by or near children or invalids.

To avoid excessive room temperatures which can cause hyperthermia: DO NOT leave product running unattended in a confined space around infants, or individuals with reduced physical, sensory, or mental capabilities. Hyperthermia can result in death. Symptoms of hyperthermia include high body temperature, headache, nausea, vomiting, tiredness, dizziness, fainting, and rapid pulse. If you begin to experience symptoms related to hyperthermia, turn off the heater and seek medical attention.

AMERICAN VERSION ONLY: An amber light is lit to indicate that the power is on.

This heater should never be used as permanent unit and be left unattended. It is designed to provide temporary source of heat.

- 6- Always unplug and store the heater in a dry place when not in use.
- 7- Do not operate any heater with a damaged cord or plug or after the heater malfunctions, has been dropped or if the product is damaged; dent(s) missing part(s), element(s) fin(s) damaged or missing, immediately stop using the device and replace it. Return to authorized service facility for examination and/or repair.
- 8- A heater has hot and arcing or sparking parts inside.
This heater is not intended and not approved for:
 - Use in abnormally humid area, wet, dusty or contain flammable liquids, combustible materials or corrosive, abrasive, chemical, explosive, such as but not limited to, paint, gasoline, chlorine, sawdust and cleaning products.
 - Use in bathrooms, laundry areas and similar indoor locations. Never locate heater where it may fall into a bathtub or other water container.
 - Use in corrosive atmospheres such as marine, green house or chemical storage areas.
 - Drying clothes.
 - An outdoor use.
 - Ceiling mounting.
 - Permanent heating. Portable heater should only be used temporarily.

If you need to heat a location with the characteristics listed above, purchase a heater designed for those applications. We recommend that you check what kind of product is suitable for your application with your insurance company, CSA or other certification and/or consult electrical codes and building codes in your area.

Make sure the heater is appropriate for the intended use (if needed, refer you to a specialist in heating).

ALWAYS PLACE THE HEATER TO AN ADEQUATE LOCATION.

The manufacturer does not warrant these products when used in inappropriate places and will not be liable in any way related to poor selection of the heating product.

- 9- Make sure the heater is placed in a location where it will not fall.
- 10- Do not run cord under carpeting. Do not cover cord with throw rugs, runners, or similar coverings. Do not route cord under furniture or appliances. Arrange cord away from traffic area and where it will not be tripped over. To prevent it from getting damaged, place the cord where there is low traffic and unplug it when the heater is not in use.
- 11- To disconnect the heater, turn off the thermostat and remove the plug from the wall electrical outlet.
- 12- Connect to properly grounded wall electrical outlet only.

13- Do not insert or allow foreign objects to enter any ventilation or exhaust opening as this may cause an electric shock or fire, or damage the heater.

14- To prevent a possible fire, do not block air intakes or exhaust in any manner. Do not use on soft surfaces, like a bed, where openings may become blocked.

15- Use this heater only as described in this manual. Any other use not recommended by the manufacturer may cause fire, electric shock, or injury to persons.

16- Always plug heater directly into a wall electrical outlet. In USA, the law prohibits the use of an extension cord with a heater of this type.

17- Respect all clearances mentioned in the "USER GUIDE" section.

18- Protect the heater with the appropriate circuit breaker or fuse, in accordance with the nameplate.

19- Make sure the supply voltage (Volts) corresponds to the one indicated on the nameplate.

20- If the installer or the user modifies the product in any way, it will be liable for any damage resulting from this modification and CSA certification could be void.

21- The thermostat should not be considered an infallible device in cases where maintaining a temperature is considered critical. Examples: Hazardous material storage, computer server room, etc. In these particular cases, it is imperative to add a monitoring system to avoid the consequences of a thermostat failure.

22- This heater is equipped with a factory installed manual reset limit: Located on the back of the heater, the manual reset limit will automatically turn the heater off if an overheat condition exists. To reset – Allow the heater to cool – Then, push in the button until it snaps. The heater should then operate normally.

SAVE THESE INSTRUCTIONS.

INS149-200803-05

USER GUIDE

- 1- Make sure the heater's power cord is not damaged. It is important to regularly inspect the cord and wall electrical outlet.
- 2- Make sure the voltage and amperage listed on the nameplate of the heater are compatible with the power supply.
- 3- When starting after a long storage period, perform cleaning to prevent odors burned and whitish smoke. Refer to the "MAINTENANCE" section to clean the heater.
- 4- Place the heater using the following two configurations.
In both cases, respect all minimum clearances see **Figure 2 and 4**.
 - 4.1- On the floor.
 - 4.2- On a wall using the keyholes.

NOTE - The wall must be able to support 4 times the weight of the heater, or 90 lbs (40 kg).

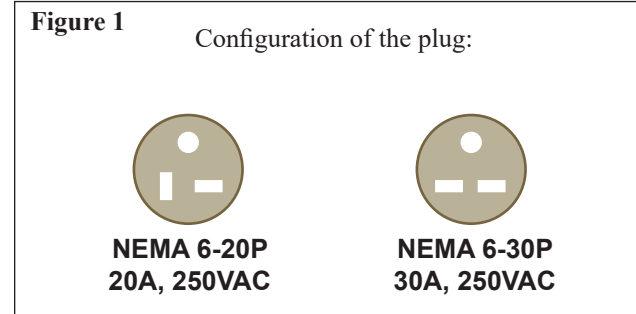
Fix (2) screws ¼ in. diameter x 1 ½ in. length (not supplied) to the wall at a distance of 16 in. (40.6 cm) from each other. If it is impossible to screw into the wall structural members, use drywall self-drilling toggle bolts (6 x 1/8") which can resist a minimum load of 90 lbs (40 kg) vertical.

Slide the bracket of the heater over the 2 screws into the keyholes, see **Figure 4**.
- 5- Plug the heater into a proper wall electrical outlet. Place the heater and direct the airflow by rotating the heater on its support and tighten the two (2) handles. An amber light is lit to indicate that the power is on.
- 6- Make sure the connector on the power cord of the heater is inserted into the wall electrical outlet before use.
- 7- Rotate thermostat knob full clockwise. The fan will start and the element will heat.
- 8- When the desired temperature is reached, turn the thermostat counter-clockwise slowly until you hear a click. To set the room temperature, turn slowly the thermostat clockwise or counter-clockwise.
- 9- To disconnect the heater, turn off the thermostat and remove the plug from the wall electrical outlet. Let the heater cool a few minutes after turning it off because it will stay warm for a while.
- 10-Roll up the power cord around the stand of the heater when it is unplugged and has cooled and store the heater in a dry place.
- 11- Please note that the heater is powered on even if the thermostat is in the off position. So you can get an electric shock as the power cord is connected.

POWER CORD

- 1- This heater operates at a voltage 208 and 240 volts. The heater plug is a type corresponding to **Figure 1**. There is no adapter for this configuration of blades and no adapter should be used. This plug fits a wall electrical outlet 208/240 volt grounded. When the plug is installed properly, it gives the cord a grounding in the heater that protects users against electric shock.

CAUTION: In the United States, the law prohibits the use of an extension cord with a heater of this type.



MAINTENANCE

The motor of this heater is permanently lubricated. It is the responsibility of the user to evaluate whether to clean the heater according to the amount of dirt accumulated on the air inlets and outlets as well as inside of the heater. Accumulated dirt can lead to a component malfunction. There is a fire hazard if the product is not installed and maintained in accordance with these guidelines.

To clean the heater :

- 1- Turn off the thermostat and remove the plug from the wall electrical outlet. Let the heater cool a few minutes after turning it off because it will stay warm for a while.
- 2- Clean the air inlet grille with a vacuum cleaner with a brush, with a damp cloth and mild soap. Do not use chemical or flammable cleaning. If necessary, the heater may be dusted with a compressed air jet.

WARRANTY

Please refer to the product sheet at www.ouellet.com.

Figure 2
Minimum clearance:

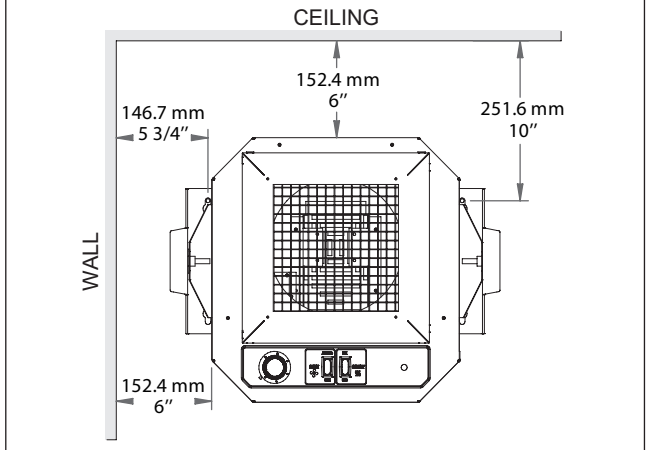


Figure 3
Minimum Clearance:

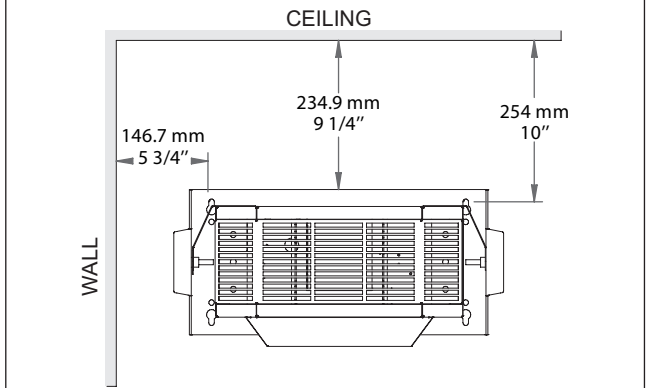


Figure 4
Wall Mounting

