

# RBH Electric Baseboard Heater



## Features

### Color

- Standard: Semi-gloss powdered paint finish in white, almond optional.
- Optional Special Stock Finishes: See special color chart for available finishes.

### Finish

- Standard: 4H pencil hardness epoxy/polyester powder coat paint.
- May be repainted with any interior paint.

### Voltage

- 120V, 208V, 240/208V, 277V, 347V, 480V, 600V, 1-phase.

### Construction

- Robust 22-gauge tight fit body.
- Sturdy 20-gauge front panel with design embossed lines.
- Welded 20-gauge junction box to back wrap, easy rear access wiring panel.
- Rounded upper corners and junction box sides.
- Linear high-limit temperature control with automatic reset.
- High altitude version available (-HA) up to 8200 ft.

### Heating element

- Stainless steel tubular heating element with aluminum fins.
- Floating stainless steel heating element on high-temperature nylon bushings reducing expansion noises.
- Aluminum diamond shape element fins position for maximized heat transfer.
- Element locked in place by screw on a stainless steel support.

### Dimension

- See Table.
- Small height and slim depth for economy of space.
- Standard watt density and low watt density models.

### Control

- A wide selection of built-in controls available.
- Built-in thermostat kit can be installed at either end.
- Built-in relay kit fits in the right end box only.
- A compartment for low voltage connections (located directly under the junction box) facilitates the installation of low voltage relay in electric baseboard.

*Ouellet highly recommends using an electronic wall thermostat for greater comfort and efficiency.*

### Installation

- No disassembly installation with single-screw built-in rear entry wire holder.
- Installation directly on the floor with connection box at both ends of the heater.
- Two rows of oblong mounting holes with center mark for ease of installation.
- Raceway and side knock-outs for baseboard interconnections.

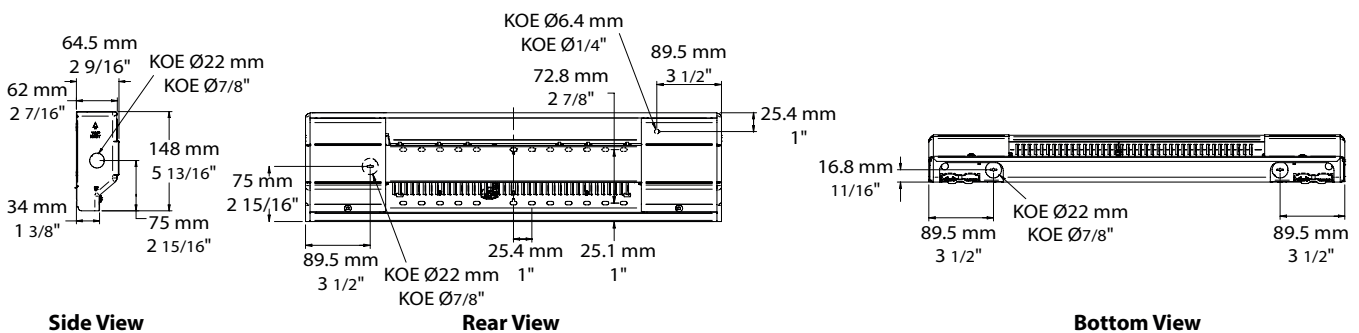
### Warranty

- 5-year warranty against defects.
- Heating element has a lifetime warranty for the initial end user.

*Note: Stainless steel tubular heating element on all sizes greatly reduces the potential for 60Hz hum. Locked-in-place element, mounting slot holes and overall construction maximizes performance, quality and more.*

### Application

- Residential and light commercial applications. Living areas, bedrooms, etc.



# RBH

## Standard Watt Density Models

Single Voltage Products #			Dual Voltage Products #			Length <sup>1</sup>		Weight	
Watts	120V	208V	Watts	240/208V	277/240V	in.	mm	lb	kg
300	RBH0302	RBH0308	300/225	RBH0300	-	22 3/4	577	4.5	2.0
350	RBH0352	RBH0358	350/263	RBH0350	-	24	610	4.7	2.2
500	RBH0502	RBH0508	500/375	RBH0500	RBH0577	27 3/4	702	5.4	2.4
700	RBH0702	RBH0708	700/525	RBH0700	RBHA777 <sup>2</sup>	36	915	6.7	3.0
750	RBH0752	RBH0758	750/563	RBH0750	RBH0777 <sup>2</sup>	37 3/4	956	7.0	3.2
1000	RBH1002	RBH1008	1000/750	RBH1000	RBH1077	48	1217	8.7	3.9
1250	RBH1252	RBH1258	1250/938	RBH1250	RBH1277	60	1524	10.7	4.9
1500	RBH1502	RBH1508	1500/1125	RBH1500	RBH1577	72	1829	12.7	5.7
1750	-	RBH1758	1750/1313	RBH1750	RBH1777	75 1/2	1916	13.2	6.0
1850	-	RBH1858	1850/1390	RBH1850	RBH1877	84	2134	14.6	6.6
2000	-	RBH2008	2000/1500	RBH2000	RBH2077	96	2439	16.6	7.5
2250 <sup>3</sup>	-	RBH2258	2250/1688 <sup>3</sup>	RBH2250	RBH2277	93	2364	16.2	7.3
2500 <sup>3</sup>	-	RBH2508	2500/1875 <sup>3</sup>	RBH2500	RBH2577	102 1/4	2596	17.8	8.0

## Low Watt Density Models

75% of rated wattage for dual voltage products. For 208V low watt density, operate 240V model at 208V.  
For 240V low watt density, operate 277V model at 240V. Low watt density models not available for 120V or 277V.

## Options

Product # Kit	Product # Factory installed*	Description
KIT-OFM-CI	-	Corners (inside and outside)
KIT-RBH-DIS20 <sup>4</sup>	DIS20 <sup>4</sup>	Disconnect switch, double-pole, 20A at 250V max.
-	HA	Linear high-limit temperature control for high altitude (3000 ft. to 8200 ft.)
KIT-OFM-RO1	-	Baseboard section 6 in. (152 mm) - Surface-mount 5-15R receptacle - 15A at 120V
KIT-OFM-RO2	-	Baseboard section 6 in. (152 mm) - 240V splitter box toward a surface-mount, 6-20R receptacle (20A switch, double-pole, double-throw)
KIT-OFM-RO2B	-	Baseboard section 6 in. (152 mm) - Surface-mount 6-20R receptacle - 240V
KIT-RBH-R-347	R	Single-pole relay, coil 24V, without transformer, 22A at 120V, 208V, 240V - 18A at 347V
KIT-RBH-R-600	R	Single-pole relay, coil 24V, without transformer, 10A at 600V
KIT-RBH-RT-120	RT	Single-pole relay, coil 24V, with transformer, 22A at 120V
KIT-RBH-RT-208	RT	Single-pole relay, coil 24V, with transformer, 22A at 208V
KIT-RBH-RT-240	RT	Single-pole relay, coil 24V, with transformer, 22A at 240V
KIT-RBH-RT-277	RT	Single-pole relay, coil 24V, with transformer, 19A at 277V
KIT-RBH-RT-347	RT	Single-pole relay, coil 24V, with transformer, 18A at 347V
KIT-RBH-RT-600 <sup>5</sup>	RT <sup>5</sup>	Single-pole relay, coil 24V, with transformer, 10A at 600V (2-wire only)
KIT-OFM-240SPLITTER	-	Baseboard section 6 in. (152 mm) - 240V splitter box to permanently connect a secondary product (20A switch, double-pole, double-throw)
KIT-OFM-SR	-	Baseboard section 6 in. (152 mm) for the installation of a 24V relay (relay not included)
KIT-RBH-TB6	TB6	Single-pole bi-metal thermostat: 25A at 120V, 208V, 240V, 277V - 10A at 347V, 480V, 600V
KIT-RBH-TB26 <sup>6</sup>	TB26 <sup>6</sup>	Double-pole bi-metal thermostat: 25A at 120V, 208V, 240V, 277V - 10A at 347V, 480V, 600V
KIT-RBH-TB6-AV	TB6AV	Single-pole bi-metal tamperproof thermostat: 25A at 120V, 208V, 240V, 277V - 10A at 347V, 480V, 600V
KIT-RBH-TB26-AV <sup>6</sup>	TB26AV <sup>6</sup>	Double-pole bi-metal tamperproof thermostat: 25A at 120V, 208V, 240V, 277V - 10A at 347V, 480V, 600V
KIT-RBH-TRIAC-347	TRIAC	Single-pole electronic relay, coil 24V, without transformer, 15A at 347V max.
KIT-RBH-TRIAC-347T	TRIACT	Single-pole electronic relay, coil 24V, with transformer, 15A at 208V, 240V, 347V
KIT-RBH-TRIAC-600	TRIAC	Single-pole electronic relay, coil 24V, without transformer, 6A at 600V max.

\* For factory installed options, add the option number to the product number. See the **Product Code** section inside the front cover.

<sup>1</sup> Nominal length  $\pm 1/8"$  (3 mm).

<sup>2</sup> Product number RBHA777 for 700W at 277V in 36".

Product number RBH0777 for 750W at 277V in 37 3/4".

<sup>3</sup> These models must be ordered in pairs to reduce shipping damage.

<sup>4</sup> For the U.S. only: The nominal current of the unit must not exceed 80% of the capacity of the disconnect.

<sup>5</sup> These 2-wire relay with transformer can't supply 3-wire low voltage thermostats.

<sup>6</sup> "Off" position.

Add "BL" for white, "AM" for almond.

Optional colors shown in the color chart section are available upon request.

Other voltages available upon request.