



180, 3^e Avenue, L'Islet, Québec, G0R 2C0, CANADA
 Tél.: (418) 247-3947, 1-800-463-7043 Fax: (418) 247-7801
www.ouellet.com

INSTRUCTIONS “OTS” Series



WARNING



THIS IS NOT A BASEBOARD HEATER
 This heater must be installed inside a trench only.



WARNING



This heater must be installed with ONLY compatible top trench grilles
 and cover the entire length of the heater as indicated in this instruction.



WARNING



When using electrical appliances, basic precautions should always be taken
 to reduce the risk of fire, electrical shock and injury, including the following.

Read carefully these instructions before installation, operation of the heater. Failure to adhere to the instructions could result in fire, electric shock, serious personal injury, and death or property damage. Review frequently for continuing safe operation and instruction of future users, if necessary.

IMPORTANT INSTRUCTIONS

- 1- Read all instructions before installing or using this heater.
- 2- Heater cover and top trench grille temperature is hot when in use. To avoid burns, do not let bare skin touch hot surfaces. Keep combustible materials, like furniture, pillows, bedding, papers, clothes and curtains at least 36 inches (915 mm) from the trench top grille.
- 3- Extreme caution is necessary when any heater is used by or near children or invalids and whenever the heater is left operating and unattended.
- 4- Do not operate any heater after it malfunctions. Disconnect power at service panel and have heater inspected by a reputable electrician before reusing.
- 5- Do not use outdoors.
- 6- To disconnect heater, turn off power to heater circuit at main disconnect panel.
- 7- Do not insert or allow foreign objects to enter the inlet or outlet opening as this may cause an electric shock, fire or damage to the heater.
- 8- To prevent a possible fire, do not block air intakes or exhaust in any way whatsoever.
- 9- This heater has hot and arcing or sparking parts inside. Do not use it in areas where gasoline, paint, or flammable vapors or liquids are used or stored.
- 10- Use this heater only as described in this manual. Any other use not recommended by the manufacturer may cause fire, electric shock, or injury to persons.
- 11- The thermostat should not be considered an infallible device in cases where maintaining a temperature is considered critical. Examples: Computer server room, etc. In these particular cases, it is imperative to add a monitoring system to avoid the consequences of a thermostat failure.

SAVE THESE INSTRUCTIONS

OPERATING INSTRUCTIONS

- 1- The heater must be properly installed before it is used.
- 2- Turn the power on at the circuit breaker panel.
- 3- According to the thermostat used:
 Be sure to set it on the HEAT mode.

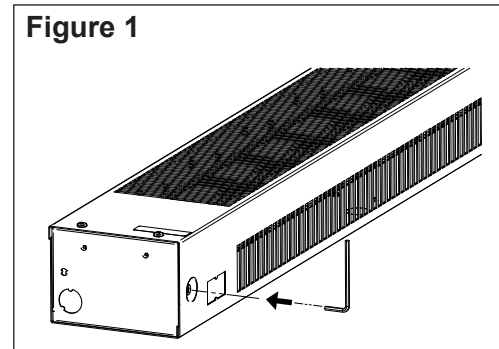
MANUAL HI-LIMIT

This heater includes a manual hi-limit that shuts down the heater if the internal temperature limit is exceeded. When this situation occurs, immediately turn the heater off and inspect for any objects on or adjacent to the heater that may have blocked the airflow or otherwise caused high temperatures to have occurred. If no obstruction is visible, the heater must be checked by a qualified person.

How to reset the manual hi-limit:

- Disconnect the power supply of the heater.
- Remove the top trench grille.
- Use a vacuum cleaner to remove the dust accumulation inside the heater.
- Insert a pointed object in the reset hole. **Figure 1.**
- Push until you hear a click.
- Install the top trench grille.
- Turn the power back on.

Figure 1



MAINTENANCE INSTRUCTIONS

- 1- Once a year or as required, use a vacuum cleaner to remove the dust accumulation inside the heater.
- 2- Cleaning should be done while the heater is disconnected from the main service panel.
- 3- Wait until the top trench grille, housing and heating element cool before performing maintenance.
- 4- Any other servicing should be performed by a qualified technician.

WARRANTY

Please refer to the product sheet at www.ouellet.com.

INS592-202011-05

INSTALLATION INSTRUCTIONS

CAUTION

- Install the heater according to the minimum clearances in **Figure 3, Item C** and in **Figure 4**.
- This heater must not be installed in an area where the top trench grille may be obstructed by various objects such as a door, curtains, rugs, towels or furniture.
- This heater must not be installed in a location where it can be exposed directly to an accumulation of liquids and/or foreign objects (E.g.: dirt, snow, water, ice melt products).
- Disconnect all power supplies before working on any circuit.
- Replace the heater cover and the top trench grille before testing.

INSTALLATION

- 1- Make sure that the dimensions of the previously fabricated trench meet the minimum dimensions and that the model of the top trench grille is compatible with the power per linear foot indicated in **Table 1** and **Figure 3**.
- 2- This heater must be installed inside a trench only. **Figure 3**.
- 3- Unscrew and remove the heater cover.
- 4- Place the heater on the bottom surface of the trench and position it respecting the minimum clearance distances from the internal surfaces. **Figure 3, Item C** and **Figure 4**.
- 5- Remove the appropriate knockout from the recess box for the electrical supply.
- 6- Secure the bottom of the heater using appropriate screws (not supplied). **Figure 2, Item A**. If the trench is made with concrete, pre-drill holes before installing the heater.
- 7- Pull through about 8 in. (204 mm) of supply wire.
- 8- Connect the heater leads to the supply leads according to local and national codes. Refer to the **Wiring Diagram**.
- 9- Install and screw the heater cover.
- 10- Install the top trench grille (not supplied) according to the applicable manufacturer's installation instructions. Make sure that no parts such as grille or grille frame (not supplied) is in contact with the heater when installed. **The compatible top trench grille must cover the entire length of the heater.**
- 11- Make sure that the heater is free of any foreign objects.
- 12- To test the heater, temporarily set the thermostat at maximum temperature.

Table 1 - Models of compatible top trench grilles		Trench dimensions - Figure 3					
Manufacturer	Grille Model	Power per linear foot			Power per linear foot		
		167W/ft.	200W/ft.	250W/ft.	167W/ft.	200W/ft.	250W/ft.
Nailor Industries www.nailor.com	49-240	√	-	-	√	√	-
	49-241	√	-	-	√	√	-
	49-243	√	-	-	√	√	-
	49-280	√	√	-	√	√	√
	49-281	√	√	-	√	√	√
Price Industries www.priceindustries.com	LBP/LBPH 15B	√	√	-	√	√	√
	LBP/LBPH 16B	√	√	-	√	√	√
	LBP/LBPH 25C	-	-	-	√	-	-
		Trench dimensions - Figure 3					
		Power per linear foot			Power per linear foot		
Manufacturer	Grille Model	167W/ft.	200W/ft.	250W/ft.	167W/ft.	200W/ft.	250W/ft.
Jaga www.jaga.com	BNC/BNA	√	√	√			

NOTE: Vanes or deflectors options with grille are prohibited.

Figure 2

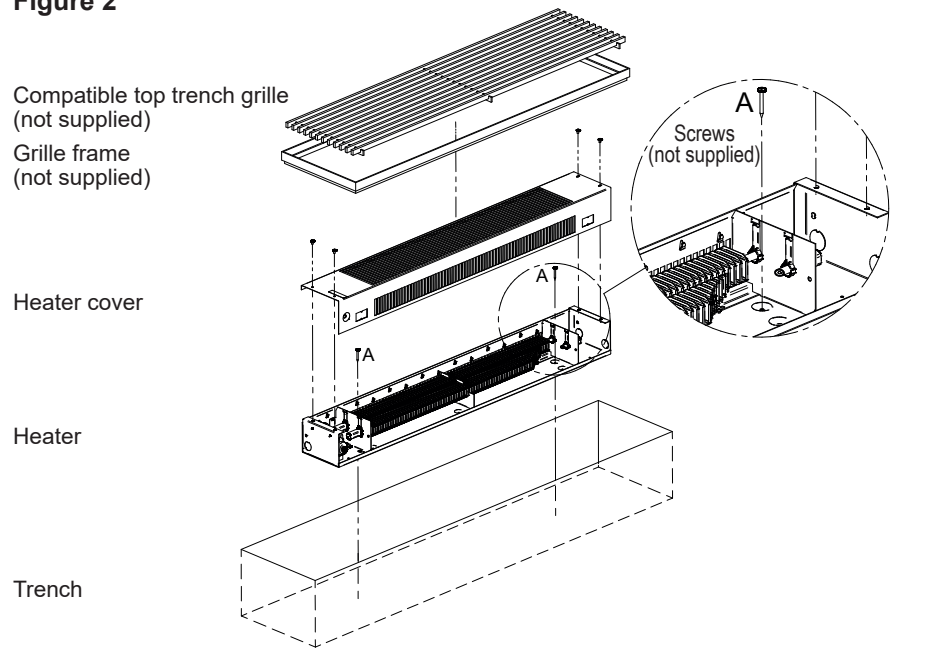


Figure 3
Trench dimensions

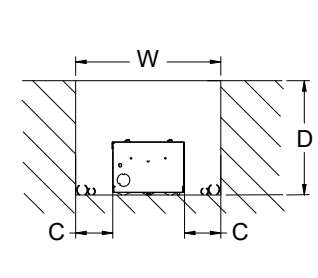
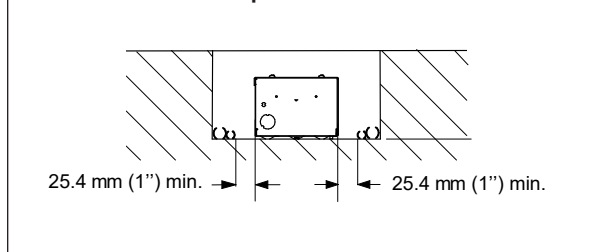


Figure 4
Minimum clearance distances from the internal components



Wiring Diagram

