

# OCB Heavy-Duty Aluminum Draft Barrier



With bottom fresh air inlet and pedestals



## Features

### Color

- Standard: white, almond.
- Optional (upcharge applicable): metallic silver, bronze, metallic charcoal, aluminum, semi-gloss black, sand.
- Custom colors available upon request.

### Finish

- Standard: epoxy/polyester powder paint.
- Optional: anodized aluminum.

### Voltage

- 120V, 208V, 240/208V, 277V, 347V, 600V, 50/60 Hz, 1-phase.

### Construction

- 14-gauge (0.0787 in. [2 mm]) aluminum front cover.
- 18-gauge satin coat steel cabinet.
- Full length built-in wireway.
- Separate low voltage wireway (-WW) available.
- Pencil-proof openings less than 1/4 in. (6.4 mm).
- Front fresh air inlet; top warm air outlet.
- Bottom fresh air inlet available (-BAI).
- Clean back available (-BD).
- Linear high-limit temperature control with automatic reset.
- End caps included.

### Heating element

- Stainless steel tubular heating element with aluminum fins.
- Floating heating elements on high-temperature nylon bushings reducing expansion noises.

### Watt density

- Average standard watt density of 275W/ft.
- Average low watt density of 100W/ft., 150W/ft., 200W/ft.

### Control

- Built-in thermostat available with a control knob or tamperproof (installed on the right end only).
- Mechanical, electronic or pneumatic relays available (installed on the right end only).

*Ouellet highly recommends to use an electronic wall thermostat for greater comfort.*

### Installation

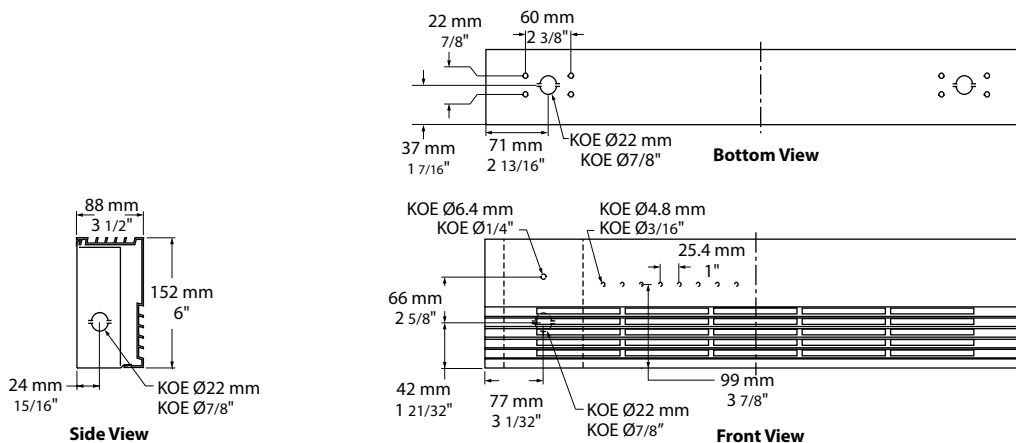
- Heater must be installed at least 3 in. (76 mm) from finished floor (for -BAI option).
- Mounting holes spaced on 1 in. (25.4 mm) intervals for ease of installation.
- Wall or floor mounted installation.
- Variety of accessories available for wall-to-wall installation.
- Pedestal kit available.

### Warranty

- 3-year warranty against defects.

### Application

- Commercial building, office building, hospital, daycare center, private residence.



**Average Standard Watt Density Models 275W/ft.**

Watts	Product #				Watts 240/208V <sup>2</sup>	Product # 240/208V	Price	Length		Weight	
	120V	208V	347V	600V				in.	mm	lb	kg
500	OCB0502	OCB0508	OCB0507	-	500/375	OCB0500	597.00	28	711	8.0	3.6
750	OCB0752	OCB0758	OCB0757	OCB0756	750/563	OCB0750	641.00	38	965	10.8	4.9
1000	OCB1002	OCB1008	OCB1007	OCB1006	1000/750	OCB1000	683.00	48 3/16	1224	13.7	6.2
1250	OCB1252	OCB1258	OCB1257	OCB1256	1250/938	OCB1250	735.00	57 11/16	1465	16.4	7.5
1500	OCB1502	OCB1508	OCB1507	OCB1506	1500/1125	OCB1500	790.00	66 7/16	1687	18.8	8.6
1750	-	OCB1758	OCB1757	OCB1756	1750/1313	OCB1750	851.00	75 13/16	1925	21.5	9.8
2000	-	OCB2008	OCB2007	OCB2006	2000/1500	OCB2000	914.00	84 9/16	2148	24.0	10.9
2250	-	OCB2258	OCB2257	OCB2256	2250/1688	OCB2250	988.00	93 1/2	2375	26.5	12.1
2500	-	OCB2508	OCB2507	OCB2506	2500/1875	OCB2500	1046.00	102 5/8	2606	29.1	13.2

**Average Low Watt Density Models**

Product # <sup>1</sup>	Price	Length	Weight	Average Density W/ft.	Watts	Watts 240/208V <sup>2</sup>	120V	208V	240/208V	347V	600V
OCB020X-711	597.00	28" (711mm)	8.0 lb (3.6 kg)	100	200	200/150				-	-
OCB030X-711				150	300	300/225			-	-	
OCB040X-711				200	400	400/300			-	-	
OCB030X-965	641.00	38" (965 mm)	10.8 lb (4.9 kg)	100	300	300/225				-	-
OCB045X-965				150	450	450/338			-	-	
OCB060X-965				200	600	600/450			-	-	
OCB040X-1224	683.00	48 3/16" (1224 mm)	13.7 lb (6.2 kg)	100	400	400/300				-	-
OCB060X-1224				150	600	600/450			-	-	
OCB080X-1224				200	800	800/600			-	-	
OCB050X-1465	735.00	57 11/16" (1465 mm)	16.4 lb (7.5 kg)	100	500	500/375				-	-
OCB075X-1465				150	750	750/563			-	-	
OCB100X-1465				200	1000	1000/750			-	-	
OCB060X-1687	790.00	66 7/16" (1687 mm)	18.8 lb (8.6 kg)	100	600	600/450				-	-
OCB090X-1687				150	900	900/675			-	-	
OCB120X-1687				200	1200	1200/900			-	-	
OCB070X-1925	851.00	75 13/16" (1925 mm)	21.5 lb (9.8 kg)	100	700	700/525				-	-
OCB105X-1925				150	1050	1050/788			-	-	
OCB140X-1925				200	1400	1400/1050			-	-	
OCB080X-2148	914.00	84 9/16" (2148 mm)	24.0 lb (10.9 kg)	100	800	800/600				-	-
OCB120X-2148				150	1200	1200/900			-	-	
OCB160X-2148				200	1600	1600/1200			-	-	
OCB090X-2375	988.00	93 1/2" (2375 mm)	26.5 lb (12.1 kg)	100	900	900/675				-	-
OCB135X-2375				150	1350	1350/1013			-	-	
OCB180X-2375				200	1800	1800/1350			-	-	
OCB100X-2606	1046.00	102 5/8" (2606 mm)	29.1 lb (13.2 kg)	100	1000	1000/750				-	-
OCB150X-2606				150	1500	1500/1125			-	-	
OCB200X-2606				200	2000	2000/1500			-	-	

<sup>1</sup> X = 2 (120V), 8 (208V), 0 (240/208V), 7 (347V), 6 (600V).

<sup>2</sup> 208V = 75% of wattage at 240V.

= Available.

Add "BL" for white, "AM" for almond. Upcharge available for optional colors shown in the color chart section.

Other colors, accessories and finishes are available upon request. Please contact your customer service representative.

Other voltages available upon request.

Product # Kit	Product # Factory installed*	Price	Description
<b>Finish</b>			
-	BAI	No Charge	Bottom fresh air inlet
-	BD <sup>1</sup>	+10%	Clean back
KIT-OCB-CE	-	377.00	Outside corner, 6 in. (152 mm)
KIT-OCB-CI	-	377.00	Inside corner, 6 in. (152 mm)
KIT-OCB-JT	-	87.00	Splice plate, 1 3/16 in. (30 mm)
KIT-OCB-JT-PE	-	95.00	Contour splice plate for BD option and/or heater with pedestals, 1 3/16 po (30 mm)
KIT-OCB-PE	-	128.00	Round pedestal kit (2), 3 in. (76 mm)
KIT-OCB-PEC	-	128.00	Square-shaped pedestal kit (2), 3 in. (76 mm)
OCB-SV-XX	-	Upon Request	Empty cabinet with length of XX mm (minimum: 154 mm, maximum: 2606 mm)
<b>Controls</b>			
KIT-OCB-DIS20 <sup>3</sup>	DIS20 <sup>3</sup>	172.00	Disconnect switch, 20A at 277V max.
-	PM	410.00	Pneumatic relay, 20A at 600V max.
KIT-OCB-R-347	R	175.00	Single-pole relay, coil 24V, without transformer, 22A at 120V, 208V, 240V - 19A at 277V - 18A at 347V
KIT-OCB-R-600	R	182.00	Single-pole relay, coil 24V, without transformer, 10A at 600V
KIT-OCB-RT-120	RT	195.00	Single-pole relay, coil 24V, with transformer 120V/24V, 22A at 120V
KIT-OCB-RT-208	RT	195.00	Single-pole relay, coil 24V, with transformer 208V/24V, 22A at 208V
KIT-OCB-RT-240	RT	195.00	Single-pole relay, coil 24V, with transformer 240V/24V, 22A at 240V
KIT-OCB-RT-277	RT	195.00	Single-pole relay, coil 24V, with transformer 277V/24V, 19A at 277V
KIT-OCB-RT-347	RT	189.00	Single-pole relay, coil 24V, with transformer 347V/24V, 18A at 347V
KIT-OCB-RT-600 <sup>2</sup>	RT <sup>2</sup>	195.00	Single-pole relay, coil 24V, with transformer 600V/24V, 10A at 600V (2-wire only)
KIT-OCB-T	T	137.00	Single-pole thermostat: 30A at 120V, 208V, 240V - 15A at 277V, 347V, 600V
KIT-OCB-T2 <sup>4</sup>	T2 <sup>4</sup>	228.00	Double-pole thermostat: 30A at 120, 208V, 240V - 15A at 277V, 347V, 600V
KIT-OCB-T-AV	TAV	137.00	Single-pole tamperproof thermostat: 30A at 120V, 208V, 240V - 15A at 277V, 347V, 600V
KIT-OCB-T2-AV <sup>4</sup>	T2AV <sup>4</sup>	228.00	Double-pole tamperproof thermostat: 30A at 120, 208V, 240V - 15A at 277V, 347V, 600V
KIT-OCB-TRIAC-347	TRIAC	77.00	Single-pole electronic relay, coil 24V, without transformer, 15A at 347V max.
KIT-OCB-TRIAC-347T	TRIAC	105.00	Single-pole electronic relay, coil 24V, with transformer, 15A at 208V, 240V, 347V
KIT-OCB-TRIAC-600	TRIAC	135.00	Single-pole electronic relay, coil 24V, without transformer, 6A at 600V max.
-	WW	46.00	24V wireway

\* For factory installed options, add the option number to the product number. See the **Product Code** section inside the front cover.

<sup>1</sup> For anodized aluminum heaters, the clean back option will be fixed with visible rivets.

<sup>2</sup> These 2-wire relays with transformer can't supply of 3-wire low voltage thermostats.

<sup>3</sup> For the U.S. only: The nominal current of the unit must not exceed 80% of the capacity of the disconnect.

<sup>4</sup> "Off" position.