

## General Purpose Switch

Series **TPR**

### Features

- ▶ High accuracy
- ▶ NEMA 4X & IP 65
- ▶ UL, CSA and CE approved
- ▶ Low cost

### Applications

- ▶ Heat trace
- ▶ Water equipment
- ▶ Process equipment
- ▶ Machine tools and industrial equipment
- ▶ Freeze protection



### General Specifications\*

<b>Accuracy:</b>	±4°F
<b>Switch:</b> Type:	Single pole double throw (SPDT), prewired snap action
Rating:	22 amp @ 125/250/480 VAC
<b>Electrical Characteristics:</b>	All models incorporate Underwriters' Laboratories, Inc. and CSA listed single pole double throw snap-action switching elements. Switches may be wired normally open or normally closed.
<b>Wetted Parts:</b>	Tin plated copper sensor & capillary
<b>Electrical Connection:</b>	1-1/8" (28mm) hole for 3/4" NPT conduit hub 12", 14 AWG stranded copper wire
<b>Enclosure Rating:</b>	NEMA 4X
<b>Enclosure/Housing:</b>	Polycarbonate (black)

<b>Bulb and Capillary:</b> Bulb:	3-1/8" (79mm), 1/16" (10mm) dia.
Capillary Length:	30" (762mm) or 120" (3048mm)
System Pressure (max):	300 psi without thermowell
Fill:	Silicone oil-filled
<b>Approvals:</b>	UL listed, file E56247 CSA certified, file LR 58658 EN/RFi: to EN 5011
<b>Temperature Range:</b>	-40° to 160°F (-40° to 71°C) Fixed setpoint factory set at 40°F Contact closes on decreasing temperature
<b>Ambient Temperature:</b>	-30° to 140°F (-34° to 60°C)
<b>Vibration:</b>	10 g's 10-500 Hz, MIL-STD 202F
<b>Shock:</b>	50 g's, 10 mS, MIL-STD 901C
<b>Weight:</b>	1.1 lbs. (0.5 kg)

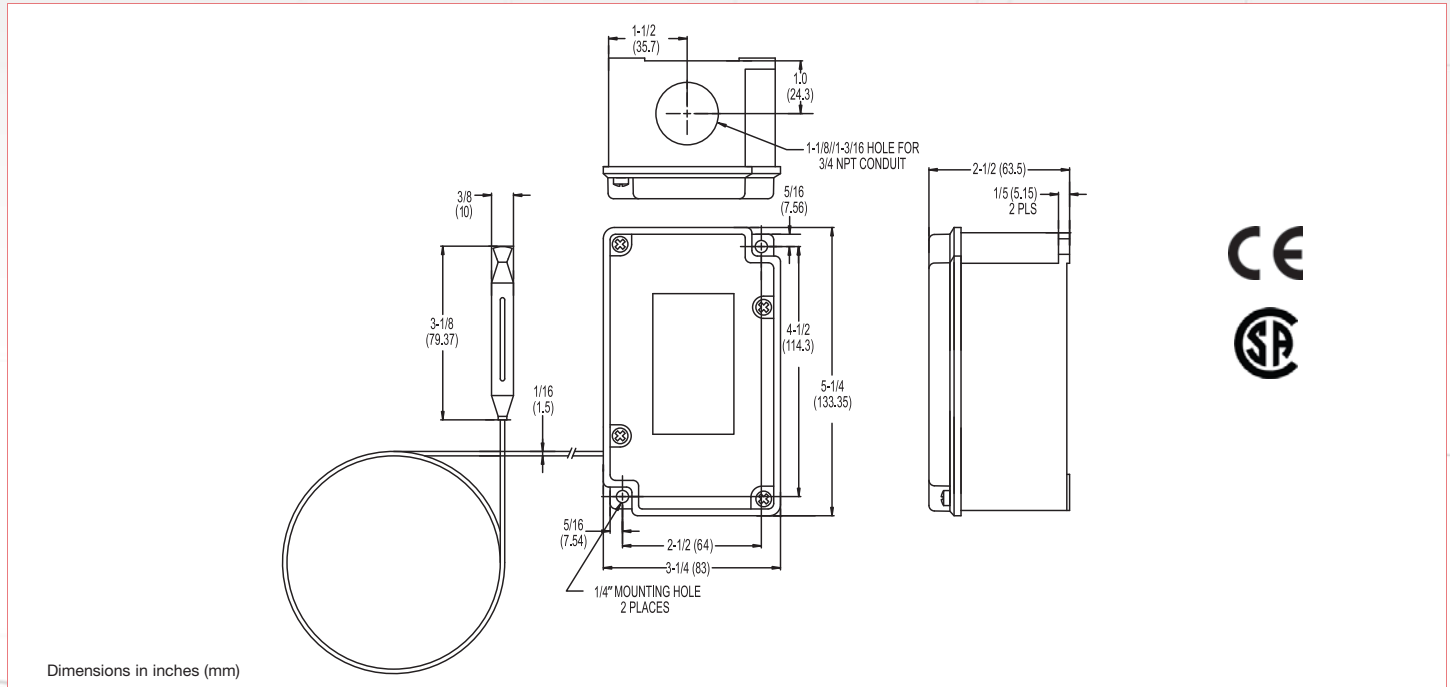
\* See Product Configurator for additional options.

### Wiring Code

Lead	Circuit
Normally Closed	Blue
Common	Purple
Normally Open	Red

Media Temperature Limits	Factory Preset	Differential (approximate)	Catalog Number
-40 to 160°F (-40 to 71°C)	40°F (4.4°C)	10°F (5.6°C)	TPR-L1N-3X-Q10

## Technical Drawing



## Product Configurator

Example T P R -L 1 N -3X -Q10

### Basic Configurator

T Temperature switch

### Basic Configurator

P Polycarbonate plastic NEMA 4X enclosure

### Basic Configurator

R Remote bulb & capillary

### Limit Switch

-L 22 amp @ 125/250/480 VAC; standard

### Temperature Range

Range	Fixed Set-point (Decreasing)		Media Temperature Limit (Proof)				Differential (Approx.) Liquid	
	°F	°C	°F		°C		°F	°C
1	40°	4.4°	Low	High	Low	High	10°	5.6°
			-40°	+160°	-40°	+71°		

-Q10 Heat tracing model

### Bulb & Capillary Length

-3X 3 foot bulb & capillary sensor  
-10X 10 foot bulb & capillary sensor

### Wetted Material

N Tin plated copper sensor