



180, 3rd Avenue, L'Islet, Quebec, G0R 2C0, CANADA
 Tel.: (418) 247-3947, 1-800-463-7043 Fax: (418) 247-7801
www.ouellet.com

INSTRUCTIONS "OCB" Series



WARNING

When using electrical appliances, basic precautions should always be taken to reduce the risk of fire, electrical shock and injury, including the following.

Read carefully these instructions before installation, operation of the heater. Failure to adhere to the instructions could result in fire, electric shock, serious personal injury, and death or property damage. Review frequently for continuing safe operation and instruction of future users, if necessary.

IMPORTANT INSTRUCTIONS

- 1- Read all instructions before installing or using this heater.
- 2- A heater has hot and arcing or sparking parts inside. Do not use in areas where gasoline, paint or flammable liquids are used or stored.
- 3- This heater is hot when in use. To avoid burns, do not let bare skin touch hot surfaces. Keep combustible materials, like furniture, pillows, bedding, papers, clothes, and curtains at least 3 in. (76 mm) from the front of the heater.
- 4- To prevent a possible fire, do not block air intakes and/or exhaust in any way whatsoever. Do not use on soft surfaces, like a bed, where openings may become blocked.
- 5- Do not insert or allow foreign objects to enter any ventilation or exhaust opening as this may cause an electric shock or fire, or damage the heater.
- 6- To avoid possible electrical shock, disconnect all power at the main panel prior to wiring, cleaning, or servicing.
- 7- Do not use outdoors.
- 8- Use this heater only as described in this manual. Any other use not recommended by the manufacturer may cause fire, electric shock, or injury.
- 9- The thermostat should not be considered an infallible device in cases where maintaining a temperature is considered critical. Examples: Hazardous material storage, computer server room, etc. In these particular cases, it is imperative to add a monitoring system to avoid the consequences of a thermostat failure.

SAVE THESE INSTRUCTIONS

INSTALLATION INSTRUCTIONS

With the option "Bottom fresh air inlet": Install bottom of heater not less than 3 in. (76 mm) above finished floor.

- 1- Remove baseboard front panel and remove the appropriate junction box cover.
- 2- Remove required knock-outs.
- 3- Install options if supplied as a kit. Refer to the instruction supplied with the option.
- 4- Make electrical connection according to the wiring diagram in accordance with local and national codes.
- 5- Secure heater to the wall and loose screws by 1/2 turn for metal thermal expansion.
- 6- Replace junction box cover and baseboard front panel before energizing.

IMPORTANT:

- Use only with copper branch circuit conductors.
- Do not install heater against combustible low-density cellulose fiberboard surfaces.
- Do not install this heater below and electrical convenience receptacle.
- For bathroom use, the heater must be installed so that switches and other controls cannot be touched by anyone in the bath or shower.

CAUTION:

High temperature, keep electrical cords, drapes and other furnishings away from the heater. Keep combustible materials, like furniture, pillows, bedding, papers, clothes, and curtains at least 3 in. (76 mm) from the front of the heater. To reduce the risk of fire, do not store or use gasoline or other flammable vapors and liquids in the vicinity of the heater.

OPTIONS:

- TRIAC: Caution, for line voltage, use supply wires suitable for 90 ° C (194 ° F).
- All heating equipment and options must be installed in accordance with local and national codes.
- Refer to the instruction supplied with the option.

INTERCONNECTION

- The connection boxes and the wiring channel are approved for interconnection of baseboard heaters and components which are on the same heating branch circuit.
- For all other options in this series, use "EMT" tubing or "BX" cable to run wiring. (Ex: Corner box, empty cabinets, etc.)
- The heater junction box volume without options is 42.6 in.³ (698 cm³).

OPERATING INSTRUCTIONS

- 1- The heater must be properly installed before it is used.
- 2- Turn the power on at the circuit breaker panel.
- 3- Built-in thermostat (optional): to set thermostat at the desired temperature, follow these steps:
 - Set thermostat at maximum temperature (turn clockwise).
 - When the desired temperature is reached, turn the thermostat counter-clockwise slowly until you hear a click.
 - The thermostat will keep this room temperature.
- 4- Built-in thermostat with control knob, the setting can be done with the supplied knob, located on the front cover.
- 5- Built-in tamperproof thermostat: the setting can be done through the louvers on top cover with a small slotted screwdriver.

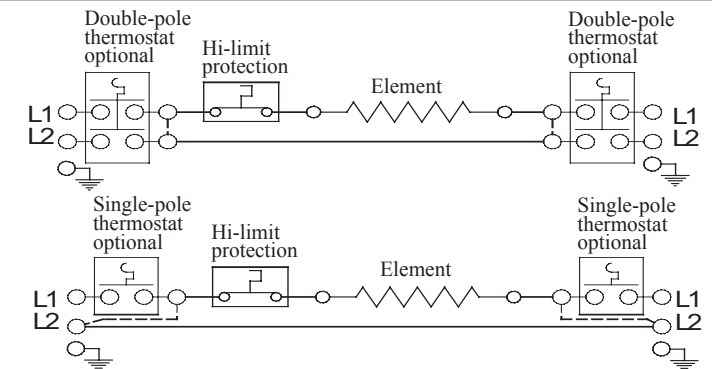
MAINTENANCE INSTRUCTIONS

- Once a year or at the need, remove the front panel and use a vacuum cleaner to remove the dust accumulation inside the heater and through openings of the front panel.
- Before cleaning, make sure the power has been turned off at the circuit breaker panel.
- Wait until the housing and heating element cool before performing maintenance.
- Remove the front panel. CAUTION: Fins on the element are sharp - Do not touch.
- Replace all covers before energizing.
- Any other servicing should be performed by a qualified service personnel.

WARRANTY

Please refer to the product sheet at www.ouellet.com.

WIRING DIAGRAM



DIMENSIONS

